

BERKELEY® B3TPKS

Cast Iron Impeller

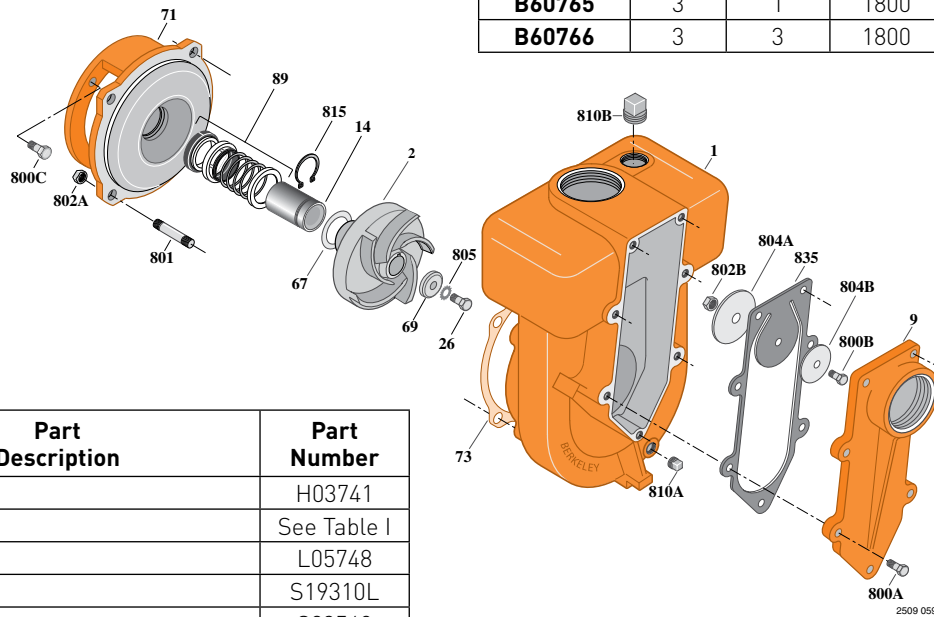
Threaded Case (NPT), Mechanical Seal Construction

ELECTRIC MOTOR DRIVE SELF PRIME

Section	CC/SP
Page	20.1
Date	March 4, 2013
Supersedes 01/01/04	

Table I

B/M No.	HP	PH	RPM	Imp. No.
B60761	1.5	1	1800	M07240
B60762	1.5	3	1800	M07240
B60763	2	1	1800	M07239
B60764	2	3	1800	M07239
B60765	3	1	1800	M07232
B60766	3	3	1800	M07232



Item No.	Part Description	Part Number
1	Case, Volute	H03741
2	Impeller	See Table I
9	Cover, Suction	L05748
14	Sleeve, Shaft	S19310L
26	Screw, Impeller	S23568
32	Key, 3/16 x 1-1/4"	S34383
67	Spacer, Impeller	S15405
69	Washer, Impeller Lock	S06314
71	Bracket	See Table II
73	Gasket	S04757
73	Gasket (As required)	S15049
89	Seal, Mechanical Shaft	S32014
800A	Capscrew, 3/8 - 16 x 1-1/4" (7 Req.)	S26828
800B	Capscrew, 3/8 - 16 x 3/4"	S26824
800C	Capscrew, 3/8 - 16 x 1" (4 Req.)	S26826
801	Stud, 1/2 - 13 x 1-1/2" (4 Req.)	S24043
802A	Nut, Hex 1/2 - 13 (4 Req.)	S23107
802B	Nut, Hex 3/8 - 16	S23103
804A	Weight, Clack	S15325
804B	Weight, Clack	S14843
805	Washer, Lock	S23036
810A	Plug, Pipe 1/4 NPT	S23715
810B	Plug, Pipe 1-1/4 NPT	S23694
815	Ring, Retaining	S11207
835	Clack, Rubber	L05749

Table II

HP	PH	Bracket No.	"AK" Fit	"U" Dim.	Motor Frame
1.5	1	L05329	4-1/2"	7/8"	145JM
1.5	3	L05329	4-1/2"	7/8"	145JM
2	1	L05329	4-1/2"	7/8"	182JM
2	3	L05329	4-1/2"	7/8"	145JM
3	1	L05329	4-1/2"	7/8"	184JM
3	3	L05329	4-1/2"	7/8"	182JM

NOTE: For an explanation of the tabulated material found on this page and for impeller key location, refer to **Supplement A** located at the beginning of section **CC**.



BERKELEY® B3TPKS

Cast Iron Impeller

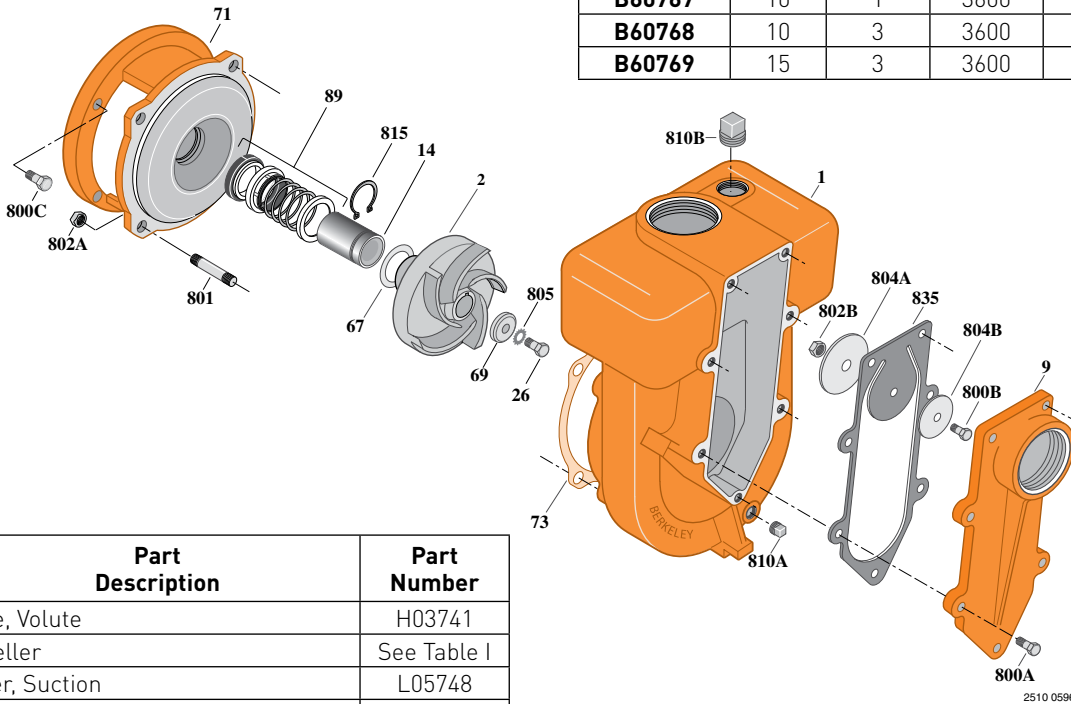
Threaded Case (NPT), Mechanical Seal Construction

ELECTRIC MOTOR DRIVE SELF PRIME

Section	CC/SP
Page	20.2
Date	March 4, 2013
Supersedes 01/01/04	

Table I

B/M No.	HP	PH	RPM	Imp. No.
B60767	10	1	3600	M07240
B60768	10	3	3600	M07240
B60769	15	3	3600	M07239



Item No.	Part Description	Part Number
1	Case, Volute	H03741
2	Impeller	See Table I
9	Cover, Suction	L05748
14	Sleeve, Shaft	S19310L
26	Screw, Impeller	S23568
32	Key, 3/16 x 1-1/4"	S34383
67	Spacer, Impeller	S15405
69	Washer, Impeller Lock	S06314
71	Bracket	See Table II
73	Gasket	S04757
73	Gasket (As required)	S15049
89	Seal, Mechanical Shaft	S32014
800A	Capscrew, 3/8 - 16 x 1-1/4" (7 Req.)	S26828
800B	Capscrew, 3/8 - 16 x 3/4"	S26824
800C	Capscrew, 1/2 - 13 x 1" (4 Req.)	S26912
801	Stud, 1/2 - 13 x 1-1/2" (4 Req.)	S24043
802A	Nut, Hex 1/2 - 13 (4 Req.)	S23107
802B	Nut, Hex 3/8 - 16	S23103
804A	Weight, Clack	S15325
804B	Weight, Clack	S14843
805	Washer, Lock	S23036
810A	Plug, Pipe 1/4 NPT	S23715
810B	Plug, Pipe 1-1/4 NPT	S23694
815	Ring, Retaining	S11207
835	Clack, Rubber	L05749

Table II

HP	PH	Bracket No.	"AK" Fit	"U" Dim.	Motor Frame
10	1	L05328	8-1/2"	7/8"	215JM
10	3	L05328	8-1/2"	7/8"	213JM
15	3	L05328	8-1/2"	7/8"	215JM

NOTE: For an explanation of the tabulated material found on this page and for impeller key location, refer to **Supplement A** located at the beginning of section **CC**.

