

BERKELEY® B3EPM

Cast Iron Impeller

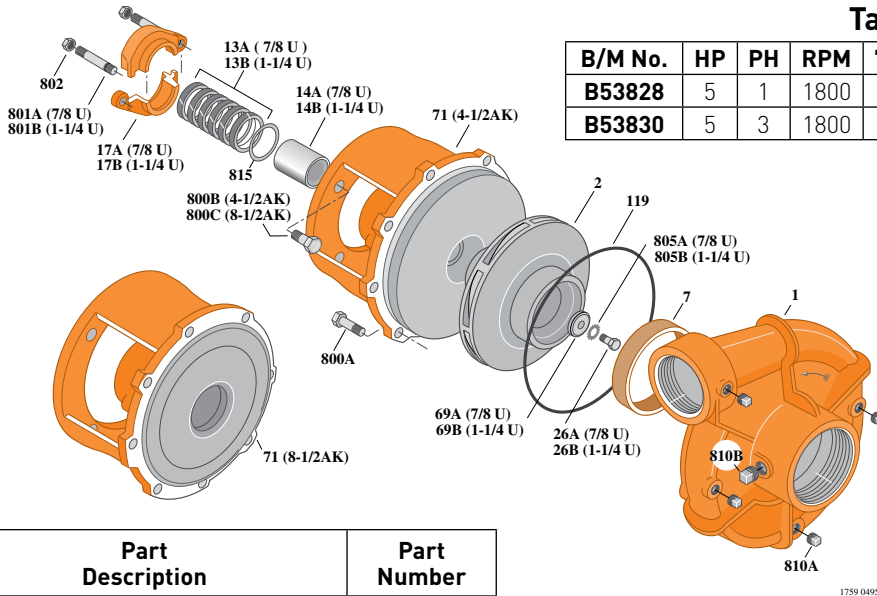
Threaded Case (NPT), Packing Construction

ELECTRIC MOTOR DRIVE

| | |
|---------------------|---------------|
| Section | CC |
| Page | 220.1 |
| Date | March 4, 2013 |
| Supersedes 01/01/04 | |

Table I

| B/M No. | HP | PH | RPM | "U" Dim. | Imp. Dia. | Imp. No. |
|---------|----|----|------|----------|-----------|----------|
| B53828 | 5 | 1 | 1800 | 1-1/4" | 7.69" | M07697 |
| B53830 | 5 | 3 | 1800 | 7/8" | 7.69" | M07698 |



| Item No. | Part Description | Part Number |
|----------|--------------------------------------|--------------|
| 1 | Case, Volute | H02087 |
| 2 | Impeller | See Table I |
| 7 | Ring, Wearing | S13045 |
| 13A | Rings, Packing [Set of 7] | S15094 |
| 13B | Rings, Packing [Set of 6] | S13470 |
| 14A | Sleeve, Shaft [2 Req.] | S00619 |
| 14B | Sleeve, Shaft | S05149 |
| 17A | Gland, Packing | B82469 |
| 17B | Gland, Packing | B82470 |
| 26A | Screw, Impeller 3/8 - 16 x 1-1/4" | S23568 |
| 26B | Screw, Impeller 1/2 - 13 x 1-3/4" | S23625 |
| 32A | Key, 3/16 x 1-1/4" [See Note] | S34383 |
| 32B | Key, 1/4 x 2-1/4" [See Note] | S23677 |
| 69A | Washer, Impeller | S06314 |
| 69B | Washer, Impeller | S06319 |
| 71 | Bracket | See Table II |
| 119 | O-Ring | S13760 |
| 800A | Capscrew, 1/2 - 13 x 1-1/4" [8 Req.] | S26914 |
| 800B | Capscrew, 3/8 - 16 x 1" [4 Req.] | S26826 |
| 800C | Capscrew, 1/2 - 13 x 1-1/2" [4 Req.] | S26916 |
| 801A | Stud, 3/8 - 16 x 3" [2 Req.] | S04439 |
| 801B | Stud, 3/8 - 16 x 2-1/2" [2 Req.] | S04438 |
| 802 | Nut, Hex 3/8 - 16 [2 Req.] | S23343 |
| 805A | Washer, Lock | S23026 |
| 805B | Washer, Lock | S23038 |
| 810A | Plug, Pipe 1/4 NPT [4 Req.] | S23715 |
| 810B | Plug, Pipe 1/2 NPT | S23717 |
| 815 | Ring, Retainer | S08778 |

Table II

| HP | PH | Bracket No. | "AK" Fit | "U" Dim. | Motor Frame |
|----|----|-------------|----------|----------|-------------|
| 5 | 1 | L03637 | 8-1/2" | 1-1/4" | 213JP |
| 5 | 3 | L05114 | 4-1/2" | 7/8" | 184JP |

NOTE: For an explanation of the tabulated material found on this page and for impeller key location, refer to **Supplement A** located at the beginning of this section.

BERKELEY® B3EPM

Cast Iron Impeller

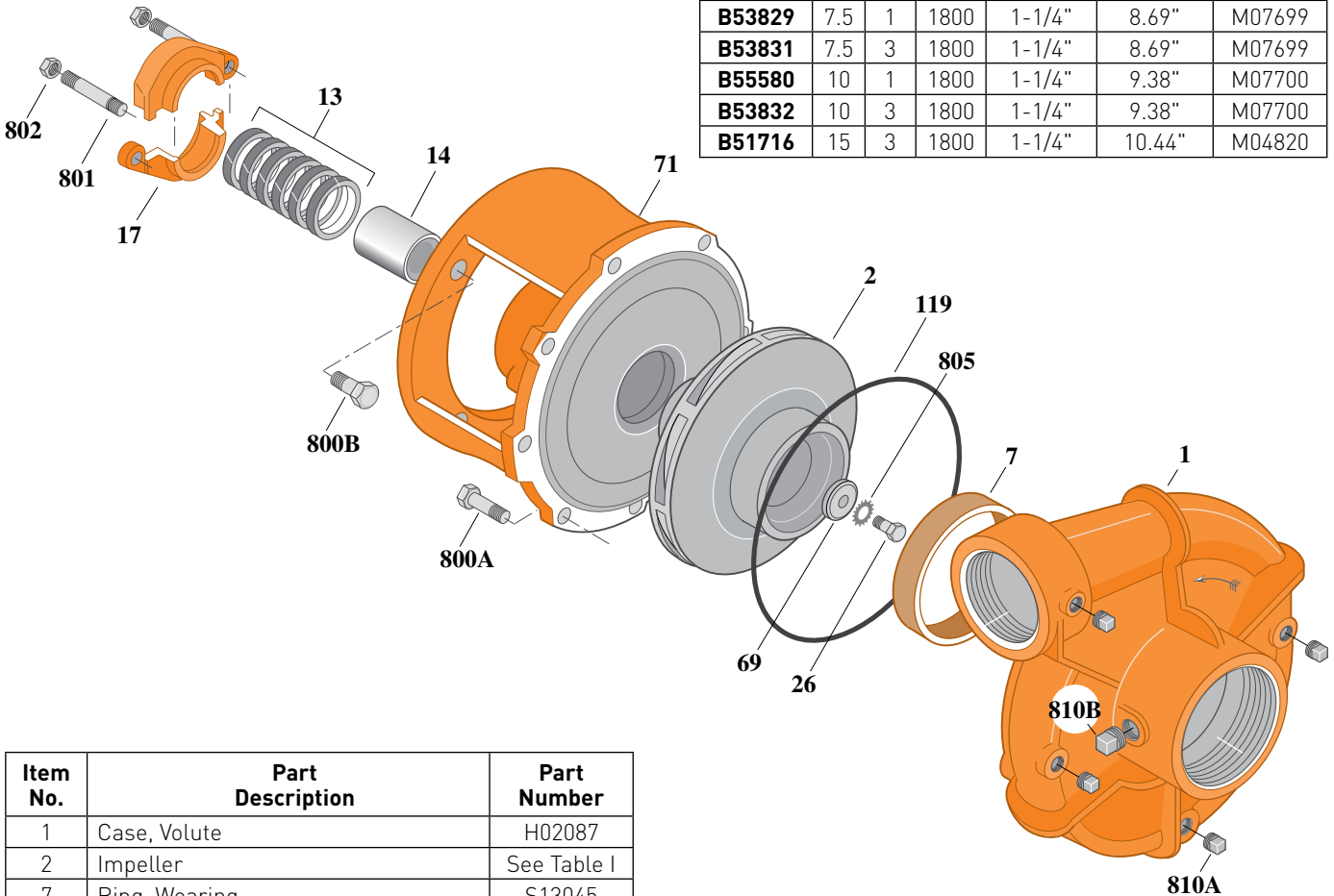
Threaded Case (NPT), Packing Construction

ELECTRIC MOTOR DRIVE

| | |
|---------------------|---------------|
| Section | CC |
| Page | 220.2 |
| Date | March 4, 2013 |
| Supersedes 01/01/04 | |

Table I

| B/M No. | HP | PH | RPM | "U" Dim. | Imp. Dia. | Imp. No. |
|---------|-----|----|------|----------|-----------|----------|
| B53829 | 7.5 | 1 | 1800 | 1-1/4" | 8.69" | M07699 |
| B53831 | 7.5 | 3 | 1800 | 1-1/4" | 8.69" | M07699 |
| B55580 | 10 | 1 | 1800 | 1-1/4" | 9.38" | M07700 |
| B53832 | 10 | 3 | 1800 | 1-1/4" | 9.38" | M07700 |
| B51716 | 15 | 3 | 1800 | 1-1/4" | 10.44" | M04820 |



1759A 0495

| Item No. | Part Description | Part Number |
|----------|--------------------------------------|--------------|
| 1 | Case, Volute | H02087 |
| 2 | Impeller | See Table I |
| 7 | Ring, Wearing | S13045 |
| 13 | Rings, Packing (Set of 6) | S13470 |
| 14 | Sleeve, Shaft | S05149 |
| 17 | Gland, Packing | B82470 |
| 26 | Screw, Impeller 1/2 - 13 x 1-3/4" | S23625 |
| 32 | Key, 1/4 x 2-1/4" (See Note) | S23677 |
| 69 | Washer, Impeller | S06319 |
| 71 | Bracket | See Table II |
| 119 | O-Ring | S13760 |
| 800A | Capscrew, 1/2 - 13 x 1-1/4" [8 Req.] | S26914 |
| 800B | Capscrew, 1/2 - 13 x 1-1/2" [4 Req.] | S26916 |
| 801 | Stud, 3/8 - 16 x 2-1/2" [2 Req.] | S04438 |
| 802 | Nut, Hex 3/8 - 16 [2 Req.] | S23343 |
| 805 | Washer, Lock | S23038 |
| 810A | Plug, Pipe 1/4 NPT [4 Req.] | S23715 |
| 810B | Plug, Pipe 1/2 NPT | S23717 |

Table II

| HP | PH | Bracket No. | "AK" Fit | "U" Dim. | Motor Frame |
|-----|----|-------------|----------|----------|-------------|
| 7.5 | 1 | L03637 | 8-1/2" | 1-1/4" | 215JP |
| 7.5 | 3 | L03637 | 8-1/2" | 1-1/4" | 213JP |
| 10 | 1 | L03637 | 8-1/2" | 1-1/4" | 215JP |
| 10 | 3 | L03637 | 8-1/2" | 1-1/4" | 215JP |
| 15 | 3 | L03637 | 8-1/2" | 1-1/4" | 254JP |

NOTE: For an explanation of the tabulated material found on this page and for impeller key location, refer to **Supplement A** located at the beginning of this section.



BERKELEY® B3EPMS

Cast Iron Impeller

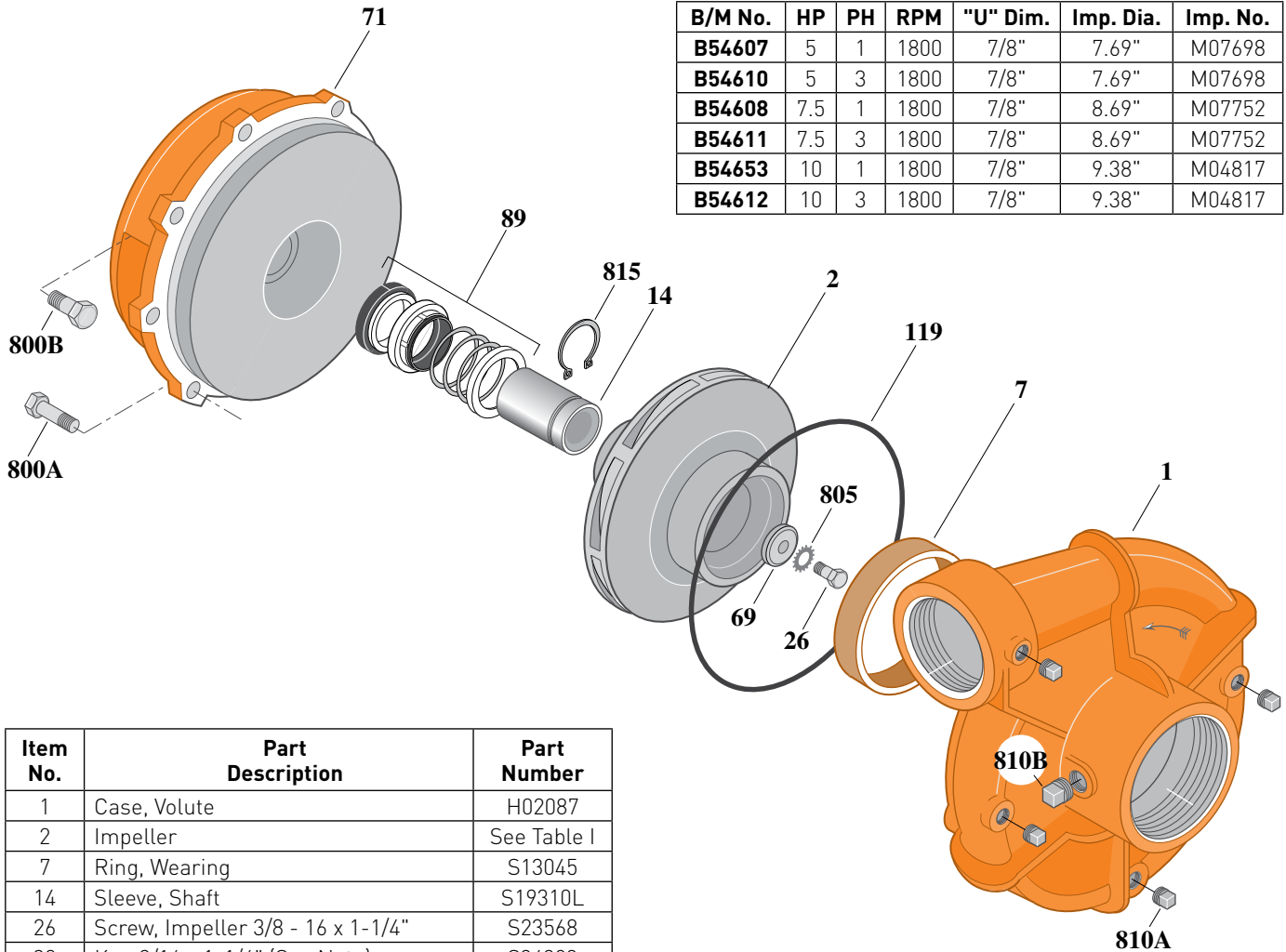
Threaded Case (NPT), Mechanical Shaft Seal Construction

ELECTRIC MOTOR DRIVE

| | |
|---------------------|---------------|
| Section | CC |
| Page | 220.3 |
| Date | March 4, 2013 |
| Supersedes 01/01/04 | |

Table I

| B/M No. | HP | PH | RPM | "U" Dim. | Imp. Dia. | Imp. No. |
|---------|-----|----|------|----------|-----------|----------|
| B54607 | 5 | 1 | 1800 | 7/8" | 7.69" | M07698 |
| B54610 | 5 | 3 | 1800 | 7/8" | 7.69" | M07698 |
| B54608 | 7.5 | 1 | 1800 | 7/8" | 8.69" | M07752 |
| B54611 | 7.5 | 3 | 1800 | 7/8" | 8.69" | M07752 |
| B54653 | 10 | 1 | 1800 | 7/8" | 9.38" | M04817 |
| B54612 | 10 | 3 | 1800 | 7/8" | 9.38" | M04817 |



1628 0295

| Item No. | Part Description | Part Number |
|----------|--------------------------------------|--------------|
| 1 | Case, Volute | H02087 |
| 2 | Impeller | See Table I |
| 7 | Ring, Wearing | S13045 |
| 14 | Sleeve, Shaft | S19310L |
| 26 | Screw, Impeller 3/8 - 16 x 1-1/4" | S23568 |
| 32 | Key, 3/16 x 1-1/4" [See Note] | S34383 |
| 69 | Washer, Impeller | S06314 |
| 71 | Bracket | See Table II |
| 89 | Seal, Mechanical Shaft | S32014 |
| 119 | O-Ring | S13760 |
| 800A | Capscrew, 1/2 - 13 x 1-1/4" [8 Req.] | S26914 |
| 800B | Capscrew, 1/2 - 13 x 1" | |
| | [For 8-1/2 AK] | S26912 |
| 800B | Capscrew, 3/8 - 16 x 1" | |
| | [For 4-1/2 AK] | S26826 |
| 805 | Washer, Lock | S23036 |
| 810A | Plug, Pipe 1/4 NPT [4 Req.] | S23715 |
| 810B | Plug, Pipe 1/2 NPT | S23717 |
| 815 | Ring, Retaining | S11207 |

Table II

| HP | PH | Bracket No. | "AK" Fit | "U" Dim. | Motor Frame |
|-----|----|-------------|----------|----------|-------------|
| 5 | 1 | L05334 | 8-1/2" | 7/8" | 213JM |
| 5 | 3 | L05335 | 4-1/2" | 7/8" | 184JM |
| 7.5 | 1 | L05334 | 8-1/2" | 7/8" | 215JM |
| 7.5 | 3 | L05334 | 8-1/2" | 7/8" | 213JM |
| 10 | 1 | L05334 | 8-1/2" | 7/8" | 215JM |
| 10 | 3 | L05334 | 8-1/2" | 7/8" | 215JM |

NOTE: For an explanation of the tabulated material found on this page and for impeller key location, refer to **Supplement A** located at the beginning of this section.



BERKELEY® B3EPMS

Cast Iron Impeller

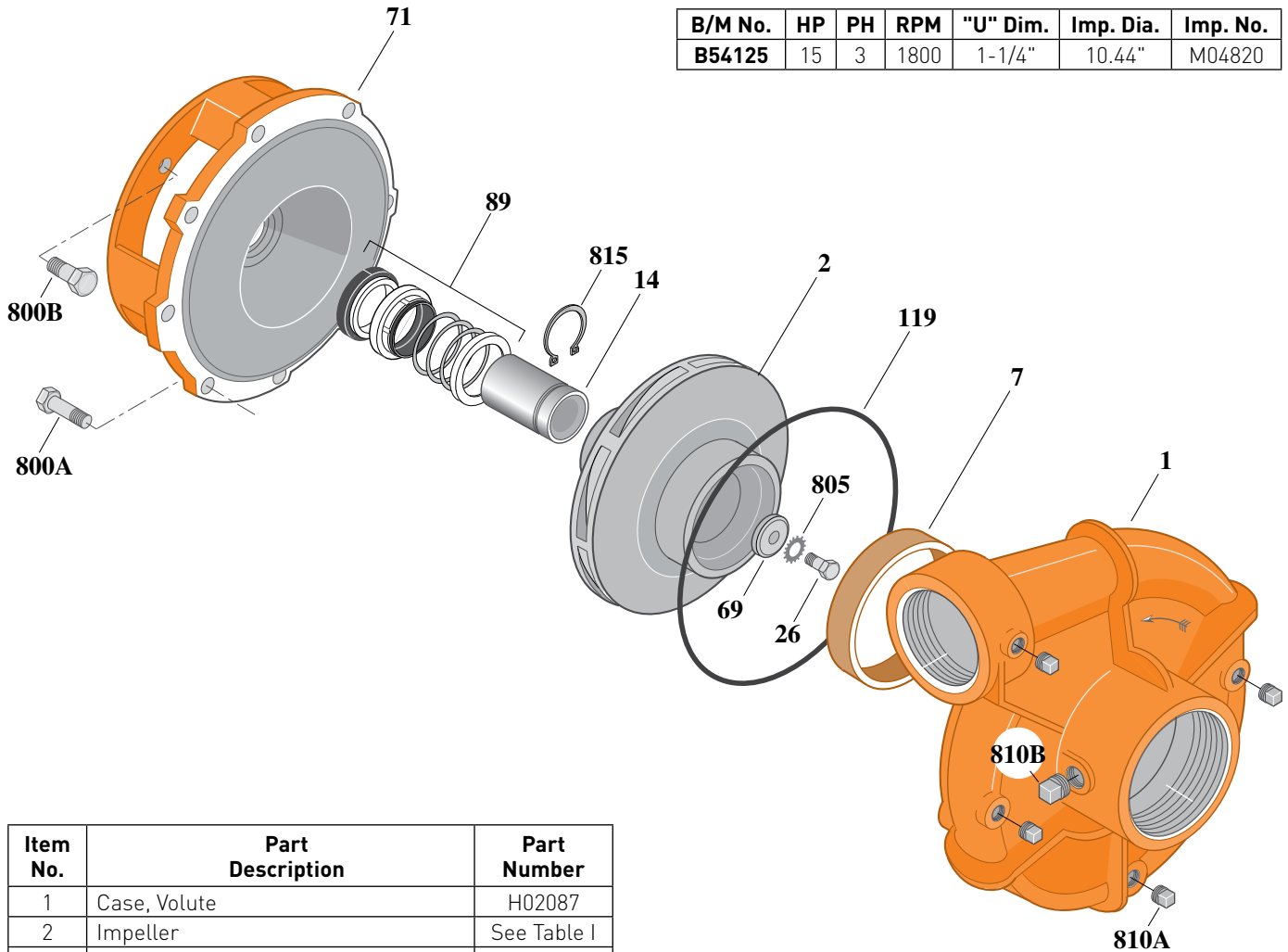
Threaded Case (NPT), Mechanical Shaft Seal Construction

ELECTRIC MOTOR DRIVE

| | |
|---------------------|---------------|
| Section | CC |
| Page | 220.4 |
| Date | March 4, 2013 |
| Supersedes 01/01/04 | |

Table I

| B/M No. | HP | PH | RPM | "U" Dim. | Imp. Dia. | Imp. No. |
|---------|----|----|------|----------|-----------|----------|
| B54125 | 15 | 3 | 1800 | 1-1/4" | 10.44" | M04820 |



1629 0295

| Item No. | Part Description | Part Number |
|----------|--------------------------------------|--------------|
| 1 | Case, Volute | H02087 |
| 2 | Impeller | See Table I |
| 7 | Ring, Wearing | S13045 |
| 14 | Sleeve, Shaft | S18869 |
| 26 | Screw, Impeller 1/2 - 13 x 1-3/4" | S23625 |
| 32 | Key, 1/4 x 2-1/4" (See Note) | S23677 |
| 69 | Washer, Impeller | S06319 |
| 71 | Bracket | See Table II |
| 89 | Seal, Mechanical Shaft | S32015 |
| 119 | O-Ring | S13760 |
| 800A | Capscrew, 1/2 - 13 x 1-1/4" [8 Req.] | S26914 |
| 800B | Capscrew, 1/2 - 13 x 1" [4 Req.] | S26912 |
| 805 | Washer, Lock | S23038 |
| 810A | Plug, Pipe 1/4 NPT [4 Req.] | S23715 |
| 810B | Plug, Pipe 1/2 NPT | S23717 |
| 815 | Ring, Retaining | S16767 |

Table II

| HP | PH | Bracket No. | "AK" Fit | "U" Dim. | Motor Frame |
|----|----|-------------|----------|----------|-------------|
| 15 | 3 | L04616 | 8-1/2" | 1-1/4" | 254JM |

NOTE: For an explanation of the tabulated material found on this page and for impeller key location, refer to **Supplement A** located at the beginning of this section.

