

BERKELEY® B2XQKLS-4.5 AIR COOLED ENGINE DRIVE SELF PRIME

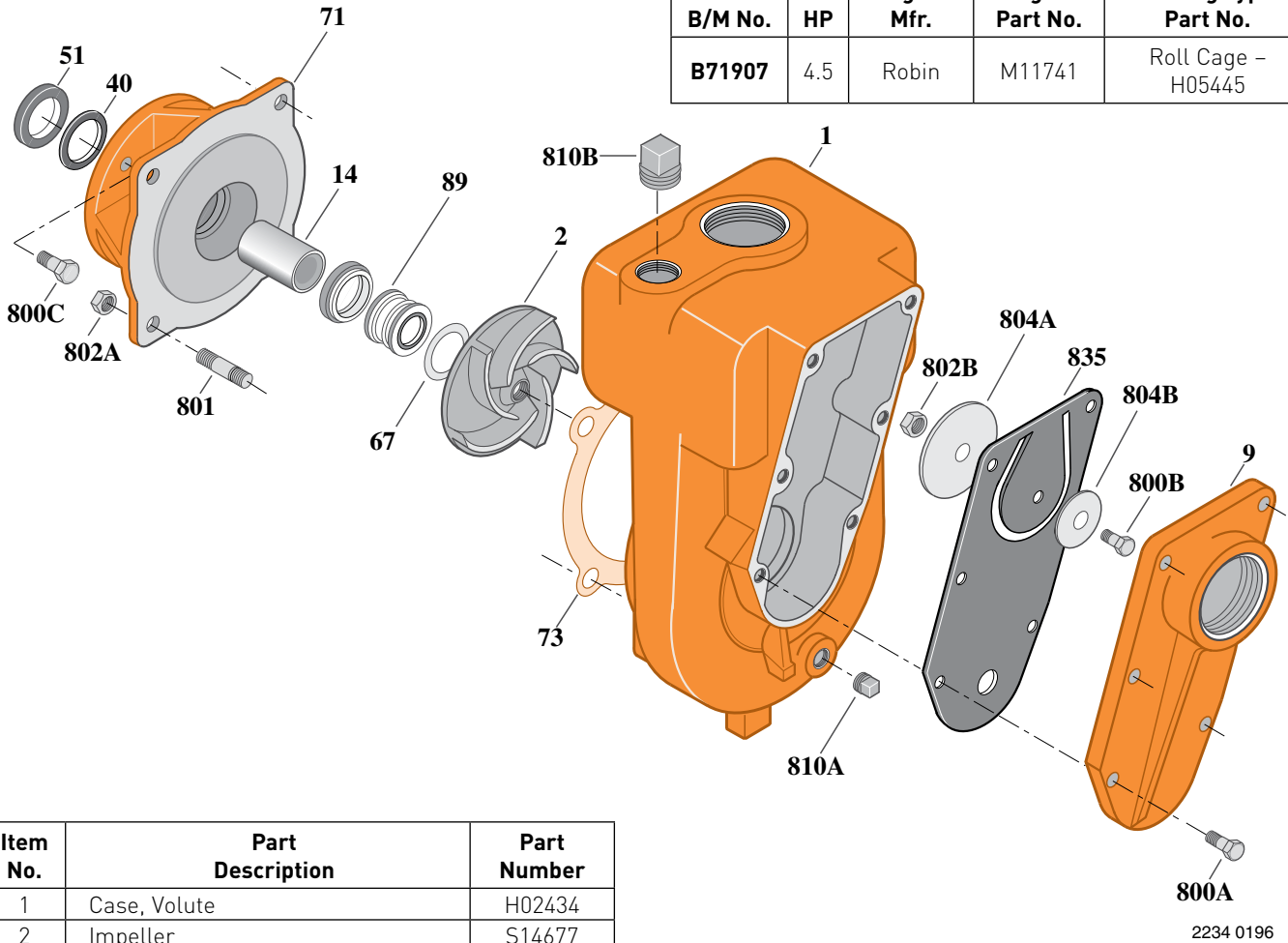
Cast Iron Impeller

Threaded Case (NPT), Mechanical Seal Construction

Section	AC/SP
Page	60.1
Date	March 4, 2013
Supersedes 01/01/04	

Table I

B/M No.	HP	Engine Mfr.	Engine Part No.	Mounting Type & Part No.
B71907	4.5	Robin	M11741	Roll Cage - H05445



Item No.	Part Description	Part Number
1	Case, Volute	H02434
2	Impeller	S14677
9	Cover, Suction	M05420
14	Sleeve, Shaft	S14689
40	Slinger, Water	S11144
51	Seal, Oil	S13862
67	Shim [.015 Thick] (As Required)	S05067
71	Bracket	M05434
73	Gasket, Case	S04728
89	Seal, Mechanical Shaft	S05646
•227	Handle	M06914
800A	Cap screw, Hex 5/16-18x7/8" [6 Req.]	S26783
800B	Cap screw, Hex 1/4-20x3/8"	S23117
800C	Cap screw, Hex 5/16-24x3/4" [4 Req.]	S23168

Item No.	Part Description	Part Number
801	Stud, 3/8-16x1-1/4" [4 Req.]	S23994
802A	Nut, Hex 3/8-16 [4 Req.]	S23103
802B	Nut, Hex 1/4-20	S23100
804A	Weight, Clack	S14673
804B	Washer, Clack	S14676
810A	Plug, Pipe 1/4" NPT	S14692
810B	Plug, Pipe 1" NPT	S23693
835	Clack, Rubber	M05424

• Not illustrated.

NOTE: Refer to **Supplement B** for base and roll cage configuration and mounting hardware.

