

# BERKELEY® B2XPKS

## ELECTRIC MOTOR DRIVE SELF PRIME

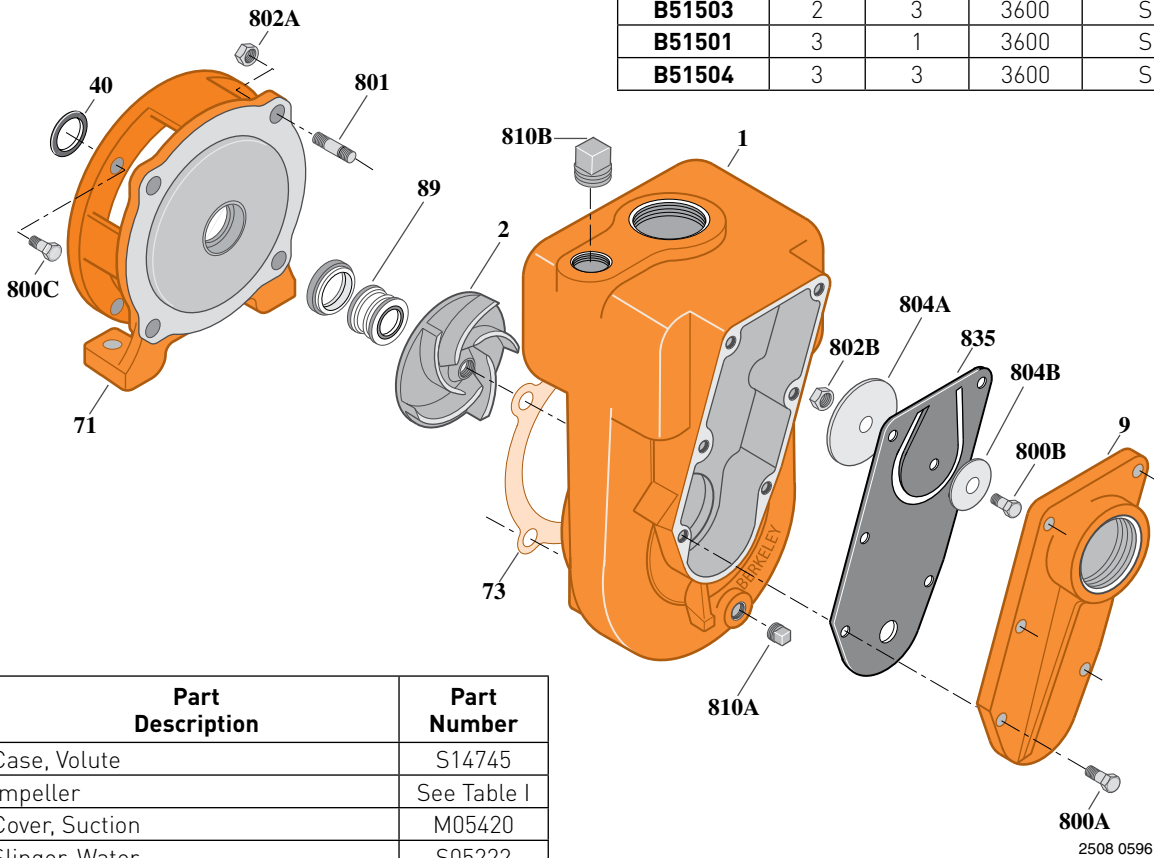
### Cast Iron Impeller

Threaded Case (NPT), Mechanical Seal Construction

Section	CC/SP
Page	10.1
Date	March 4, 2013
Supersedes 01/01/04	

**Table I**

B/M No.	HP	PH	RPM	Imp. No.
B51499	1.5	1	3600	S11486
B51502	1.5	3	3600	S11486
B51500	2	1	3600	S11484
B51503	2	3	3600	S11484
B51501	3	1	3600	S11485
B51504	3	3	3600	S11485



Item No.	Part Description	Part Number
1	Case, Volute	S14745
2	Impeller	See Table I
9	Cover, Suction	M05420
40	Slinger, Water	S05222
71	Bracket	M02725
73	Gasket	S04728
89	Seal, Mechanical Shaft	S20990
800A	Capscrew, 5/16 - 18 x 7/8" [6 Req.]	S26783
800B	Capscrew, 1/4 - 20 x 1/2"	S23117
800C	Capscrew, 3/8 - 16 x 3/4" [4 Req.]	S26824
801	Stud, 3/8 - 16 x 1-1/4" [4 Req.]	S23994
802A	Nut, Hex 3/8 - 16 [4 Req.]	S23103
802B	Nut, Hex 1/4 - 20	S23100
804A	Weight, Clack	S14673
804B	Weight, Clack	S14676
810A	Plug, Pipe 1/4 NPT	S14692
810B	Plug, Pipe 1 NPT	S14693
835	Clack, Rubber	M05424

