

# BERKELEY® B2-1/2ZPM

## Cast Iron Impeller

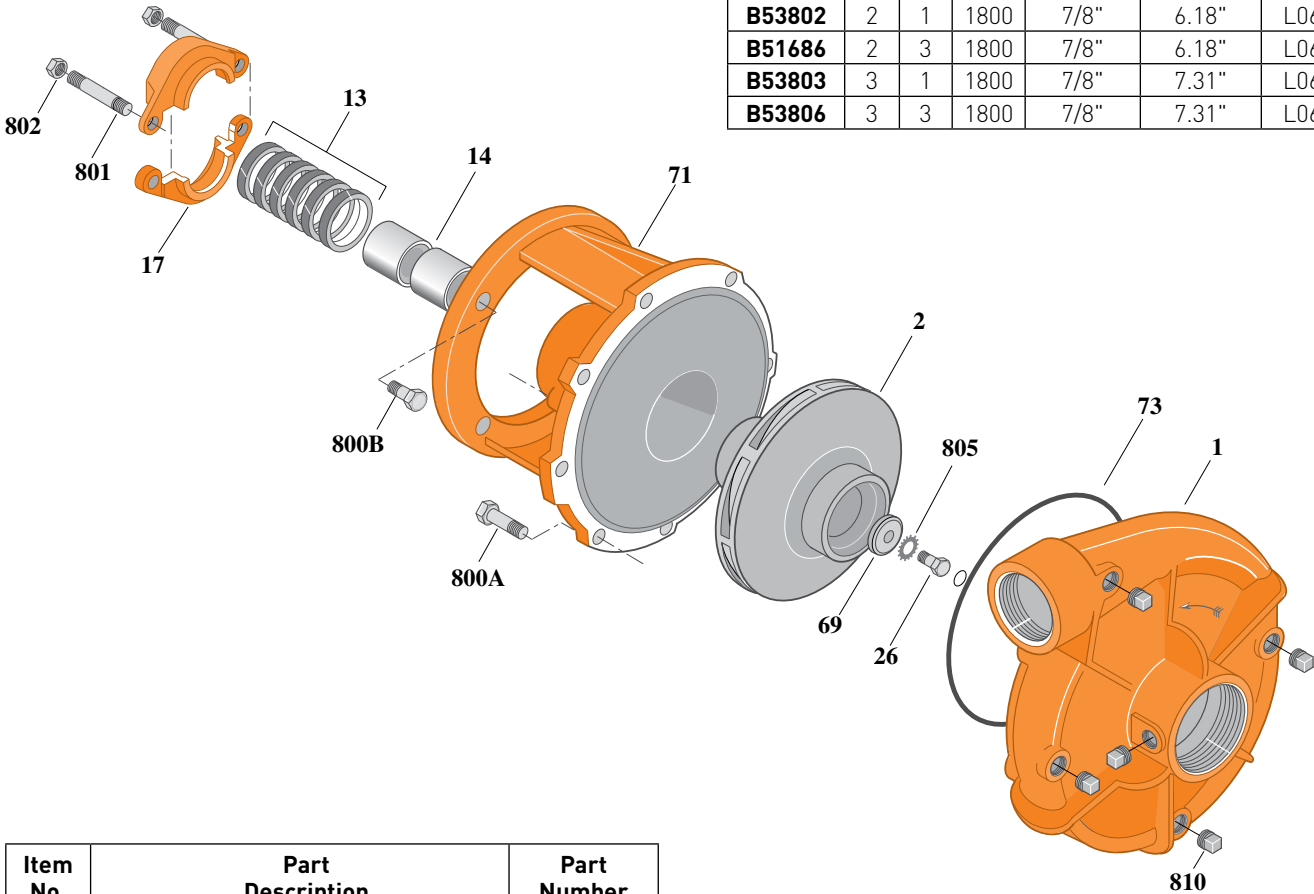
Threaded Case (NPT), Packing Construction

ELECTRIC MOTOR DRIVE

Section	CC
Page	140.1
Date	March 4, 2013
Supersedes 07/01/11	

**Table I**

B/M No.	HP	PH	RPM	"U" Dim.	Imp. Dia.	Imp. No.
B53802	2	1	1800	7/8"	6.18"	L06124
B51686	2	3	1800	7/8"	6.18"	L06124
B53803	3	1	1800	7/8"	7.31"	L06125
B53806	3	3	1800	7/8"	7.31"	L06125



1745A 1210

Item No.	Part Description	Part Number
1	Case, Volute	L01027
2	Impeller	See Table I
13	Rings, Packing [Set of 7]	S15094
14	Sleeve, Shaft [2 Req.]	S00619L
17	Gland, Packing	B82469
26	Screw, Impeller 3/8 - 16 x 1"	S23566
32	Key, 3/16 x 1-1/4" [See Note 1]	S34383
69	Washer, Impeller	S06314
71	Bracket	See Table II
73	O-Ring [See Note 2]	M14943
800A	Capscrew, 3/8 - 16 x 7/8" [8 Req.]	S26825
800B	Capscrew, 3/8 - 16 x 1" [4 Req.]	S26826
801	Stud, 3/8 - 16 x 3" [2 Req.]	S04439
802	Nut, Hex 3/8 - 16 [2 Req.]	S23343
805	Washer, Lock	S23036
810	Plug, Pipe 1/4 NPT [5 Req.]	S23715

**Table II**

HP	PH	Bracket No.	"AK" Fit	"U" Dim.	Motor Frame
2	1	H00950	4-1/2"	7/8"	182JP
2	3	H00950	4-1/2"	7/8"	145JP
3	1	H00950	4-1/2"	7/8"	184JP
3	3	H00950	4-1/2"	7/8"	182JP

**NOTE 1:** For an explanation of the tabulated material found on this page and for impeller key location, refer to **Supplement A** located at the beginning of this section.

**NOTE 2:** Also accepts gasket **S05126** as replacement for O-Ring. See **Supplement E** located at the beginning of this section.



# BERKELEY® B2-1/2ZPM

## Cast Iron Impeller

Threaded Case (NPT), Packing Construction

ELECTRIC MOTOR DRIVE

Section	CC
Page	140.2
Date	March 4, 2013
Supersedes 07/01/11	

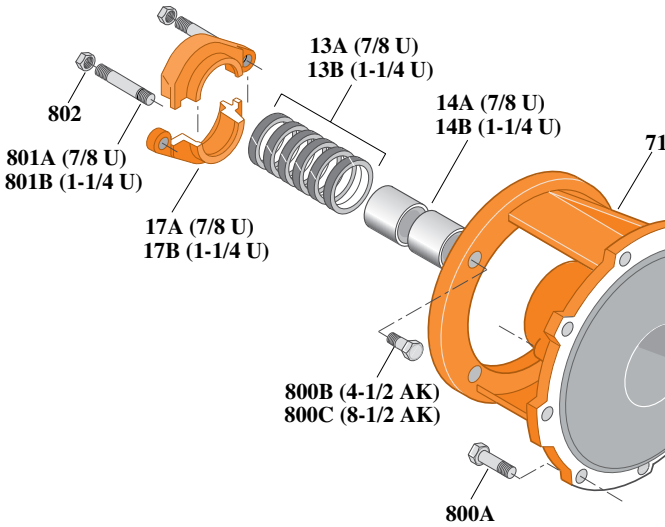
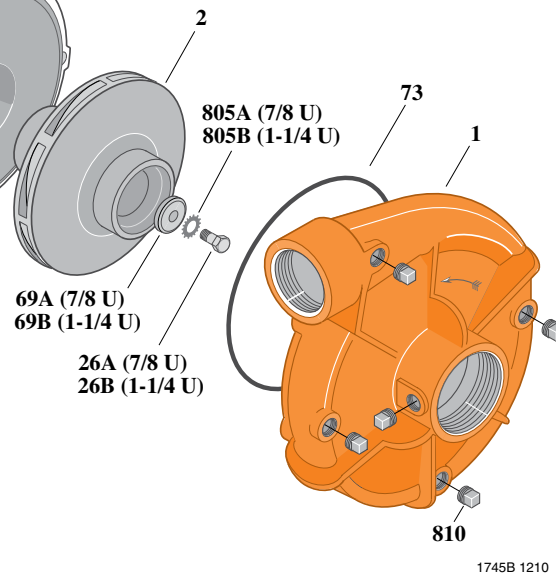


Table I

B/M No.	HP	PH	RPM	"U" Dim.	Imp. Dia.	Imp. No.
B53804	5	1	1800	1-1/4"	8.38"	L06127
B53807	5	3	1800	7/8"	8.38"	L06126
B53805	7.5	1	1800	1-1/4"	9.00"	L05120
B53808	7.5	3	1800	1-1/4"	9.00"	L05120



Item No.	Part Description	Part Number
1	Case, Volute	L01027
2	Impeller	See Table I
13A	Rings, Packing [Set of 7]	S15094
13B	Rings, Packing [Set of 6]	S13470
14A	Sleeve, Shaft [2 Req.]	S00619L
14B	Sleeve, Shaft	S05149L
17A	Gland, Packing	B82469
17B	Gland, Packing	B82470
26A	Screw, Impeller 3/8 - 16 x 1"	S23566
26B	Screw, Impeller 1/2 - 13 x 1-1/2"	S23623
32A	Key, 3/16 x 1-1/4" [See Note 1]	S34383
32B	Key, 1/4 x 2-1/4" [See Note 1]	S23677
69A	Washer, Impeller	S06314
69B	Washer, Impeller	S06319
71	Bracket	See Table II
73	O-Ring [See Note 2]	M14943
800A	Capscrew, 3/8 - 16 x 7/8" [8 Req.]	S26825
800B	Capscrew, 3/8 - 16 x 1" [4 Req.]	S26826
800C	Capscrew, 1/2 - 13 x 1-1/2" [4 Req.]	S26916
801A	Stud, 3/8 - 16 x 3" [2 Req.]	S04439
801B	Stud, 3/8 - 16 x 4" [2 Req.]	S08303
802	Nut, Hex 3/8 - 16 [2 Req.]	S23343
805A	Washer, Lock	S23036
805B	Washer, Lock	S23038
810	Plug, Pipe 1/4 NPT [5 Req.]	S23715

Table II

HP	PH	Bracket No.	"AK" Fit	"U" Dim.	Motor Frame
5	1	L03827	8-1/2"	1-1/4"	213JP
5	3	H00950	4-1/2"	7/8"	184JP
7.5	1	L03827	8-1/2"	1-1/4"	215JP
7.5	3	L03827	8-1/2"	1-1/4"	213JP

**NOTE 1:** For an explanation of the tabulated material found on this page and for impeller key location, refer to **Supplement A** located at the beginning of this section.

**NOTE 2:** Also accepts gasket **S05126** as replacement for O-Ring. See **Supplement E** located at the beginning of this section.



# BERKELEY® B2-1/2ZPMS

## ELECTRIC MOTOR DRIVE

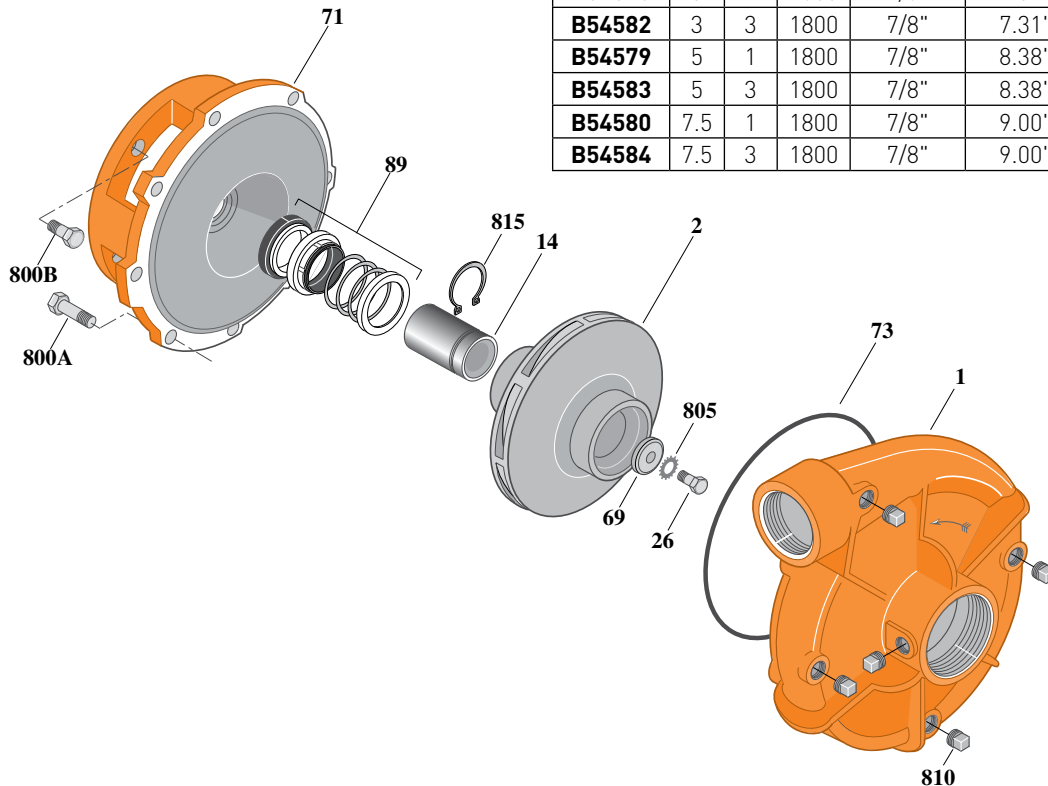
### Cast Iron Impeller

Threaded Case (NPT), Mechanical Shaft Seal Construction

Section	CC
Page	140.3
Date	March 4, 2013
Supersedes 07/01/11	

**Table I**

B/M No.	HP	PH	RPM	"U" Dim.	Imp. Dia.	Imp. No.
B54577	2	1	1800	7/8"	6.18"	L06124
B54581	2	3	1800	7/8"	6.18"	L06124
B54578	3	1	1800	7/8"	7.31"	L06125
B54582	3	3	1800	7/8"	7.31"	L06125
B54579	5	1	1800	7/8"	8.38"	L06126
B54583	5	3	1800	7/8"	8.38"	L06126
B54580	7.5	1	1800	7/8"	9.00"	L01218
B54584	7.5	3	1800	7/8"	9.00"	L01218



Item No.	Part Description	Part Number
1	Case, Volute	L01027
2	Impeller	See Table I
14	Sleeve, Shaft	S19310L
26	Screw, Impeller 3/8 - 16 x 1"	S23566
32	Key, 3/16 x 1-1/4" (See Note 1)	S34383
69	Washer, Impeller	S06314
71	Bracket	See Table II
73	O-Ring (See Note 2)	M14943
89	Seal, Mechanical Shaft	S32014
800A	Capscrew, 3/8 - 16 x 7/8" (8 Req.)	S26825
800B	Capscrew, 3/8 - 16 x 1" (4 Req.)	S26826
805	Washer, Lock	S23036
810	Plug, Pipe 1/4 NPT (5 Req.)	S23715
815	Ring, Retaining	S11207

**Table II**

HP	PH	Bracket No.	"AK" Fit	"U" Dim.	Motor Frame
2	1	L05332	4-1/2"	7/8"	182JM
2	3	L05332	4-1/2"	7/8"	145JM
3	1	L05332	4-1/2"	7/8"	184JM
3	3	L05332	4-1/2"	7/8"	182JM
5	1	L05331	8-1/2"	7/8"	213JM
5	3	L05332	4-1/2"	7/8"	184JM
7.5	1	L05331	8-1/2"	7/8"	215JM
7.5	3	L05331	8-1/2"	7/8"	213JM

**NOTE 1:** For an explanation of the tabulated material found on this page and for impeller key location, refer to **Supplement A** located at the beginning of this section.

**NOTE 2:** Also accepts gasket **S05126** as replacement for O-Ring. See **Supplement E** located at the beginning of this section.



# BERKELEY® B2-1/2ZPM

## Silicon Bronze Impeller

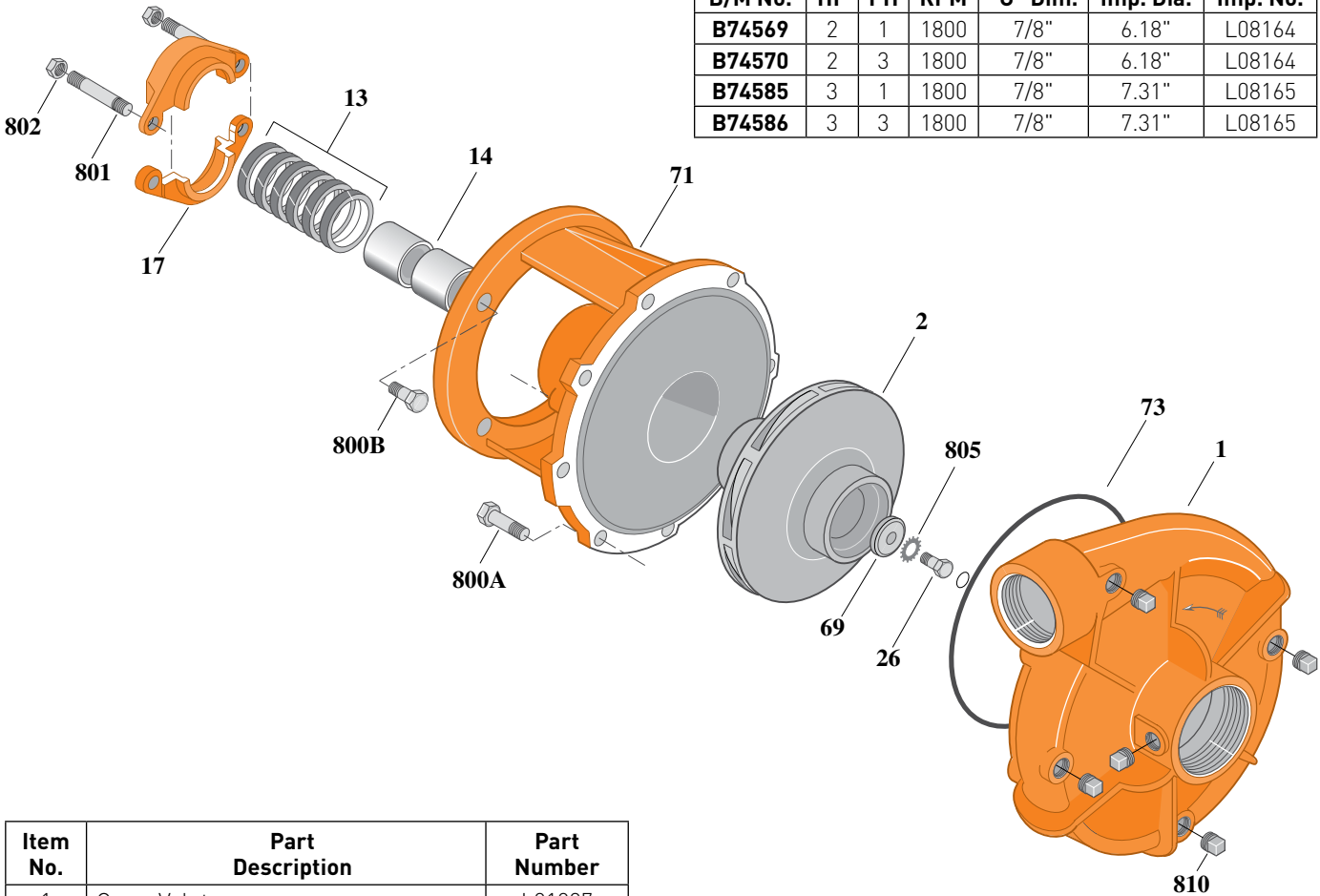
Threaded Case (NPT), Packing Construction

### ELECTRIC MOTOR DRIVE

Section	CC
Page	140.4
Date	March 4, 2013
Supersedes 07/01/11	

**Table I**

B/M No.	HP	PH	RPM	"U" Dim.	Imp. Dia.	Imp. No.
<b>B74569</b>	2	1	1800	7/8"	6.18"	L08164
<b>B74570</b>	2	3	1800	7/8"	6.18"	L08164
<b>B74585</b>	3	1	1800	7/8"	7.31"	L08165
<b>B74586</b>	3	3	1800	7/8"	7.31"	L08165



1745A 1210

Item No.	Part Description	Part Number
1	Case, Volute	L01027
2	Impeller	See Table I
13	Rings, Packing (Set of 7)	S15094
14	Sleeve, Shaft (2 Req.)	S00619L
17	Gland, Packing	B82469
26	Screw, Impeller 3/8 - 16 x 1"	S23566
32	Key, 3/16 x 1-1/4" (See Note 1)	S34383
69	Washer, Impeller	S06314
71	Bracket	See Table II
73	O-Ring (See Note 2)	M14943
800A	Capscrew, 3/8 - 16 x 7/8" (8 Req.)	S26825
800B	Capscrew, 3/8 - 16 x 1" (4 Req.)	S26826
801	Stud, 3/8 - 16 x 3" (2 Req.)	S04439
802	Nut, Hex 3/8 - 16 (2 Req.)	S23343
805	Washer, Lock	S23036
810	Plug, Pipe 1/4" NPT (5 Req.)	S23715

**Table II**

HP	PH	Bracket No.	"AK" Fit	"U" Dim.	Motor Frame
2	1	H00950	4-1/2"	7/8"	182JP
2	3	H00950	4-1/2"	7/8"	145JP
3	1	H00950	4-1/2"	7/8"	184JP
3	3	H00950	4-1/2"	7/8"	182JP

**NOTE 1:** For an explanation of the tabulated material found on this page and for impeller key location, refer to **Supplement A** located at the beginning of this section.

**NOTE 2:** Also accepts gasket **S05126** as replacement for O-Ring. See **Supplement E** located at the beginning of this section.



# BERKELEY® B2-1/2ZPM

## Silicon Bronze Impeller

Threaded Case (NPT), Packing Construction

## ELECTRIC MOTOR DRIVE

Section	CC
Page	140.5
Date	March 4, 2013
Supersedes 07/01/11	

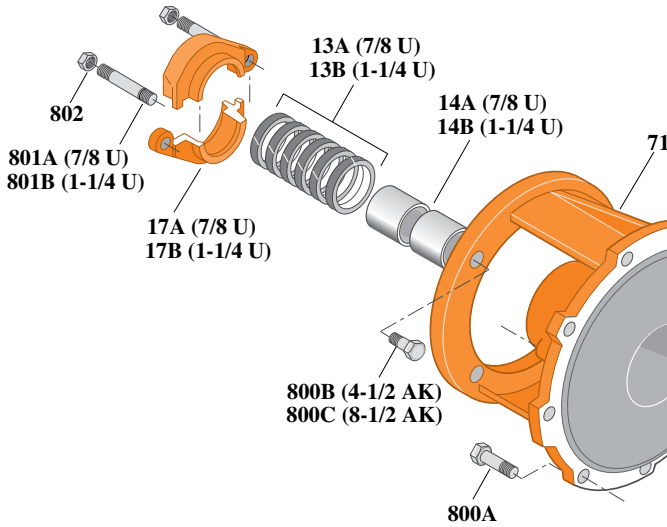
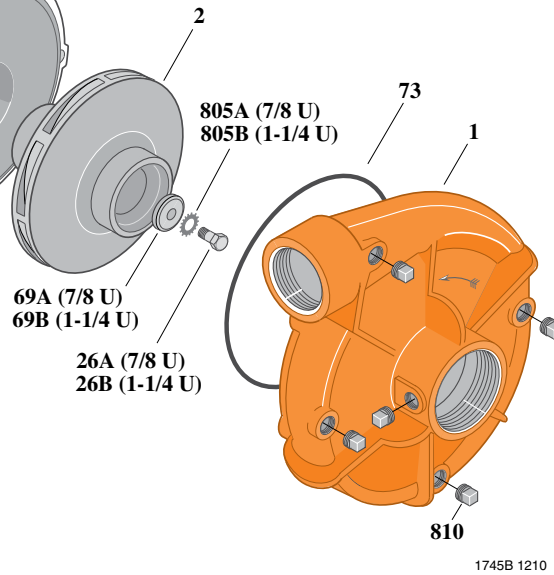


Table I

B/M No.	HP	PH	RPM	"U" Dim.	Imp. Dia.	Imp. No.
B74600	5	1	1800	1-1/4"	8.38"	L08191
B74604	5	3	1800	7/8"	8.38"	L08166
B74622	7.5	1	1800	1-1/4"	9.00"	L08190
B74623	7.5	3	1800	1-1/4"	9.00"	L08190



Item No.	Part Description	Part Number
1	Case, Volute	L01027
2	Impeller	See Table I
13A	Rings, Packing [Set of 7]	S15094
13B	Rings, Packing [Set of 6]	S13470
14A	Sleeve, Shaft [2 Req.]	S00619L
14B	Sleeve, Shaft	S05149L
17A	Gland, Packing	B82469
17B	Gland, Packing	B82470
26A	Screw, Impeller 3/8 - 16 x 1"	S23566
26B	Screw, Impeller 1/2 - 13 x 1-1/2"	S23623
32A	Key, 3/16 x 1-1/4" [See Note 1]	S34383
32B	Key, 1/4 x 2-1/4" [See Note 1]	S23677
69A	Washer, Impeller	S06314
69B	Washer, Impeller	S06319
71	Bracket	See Table II
73	O-Ring [See Note 2]	M14943
800A	Capscrew, 3/8 - 16 x 7/8" [8 Req.]	S26825
800B	Capscrew, 3/8 - 16 x 1" [4 Req.]	S26826
800C	Capscrew, 1/2 - 13 x 1-1/2" [4 Req.]	S26916
801A	Stud, 3/8 - 16 x 3" [2 Req.]	S04439
801B	Stud, 3/8 - 16 x 4" [2 Req.]	S08303
802	Nut, Hex 3/8 - 16 [2 Req.]	S23343
805A	Washer, Lock	S23036
805B	Washer, Lock	S23038
810	Plug, Pipe 1/4" NPT [5 Req.]	S23715

Table II

HP	PH	Bracket No.	"AK" Fit	"U" Dim.	Motor Frame
5	1	L03827	8-1/2"	1-1/4"	213JP
5	3	H00950	4-1/2"	7/8"	184JP
7.5	1	L03827	8-1/2"	1-1/4"	215JP
7.5	3	L03827	8-1/2"	1-1/4"	213JP

**NOTE 1:** For an explanation of the tabulated material found on this page and for impeller key location, refer to **Supplement A** located at the beginning of this section.

**NOTE 2:** Also accepts gasket **S05126** as replacement for O-Ring. See **Supplement E** located at the beginning of this section.



# BERKELEY® B2-1/2ZPM

## Silicon Bronze Impeller

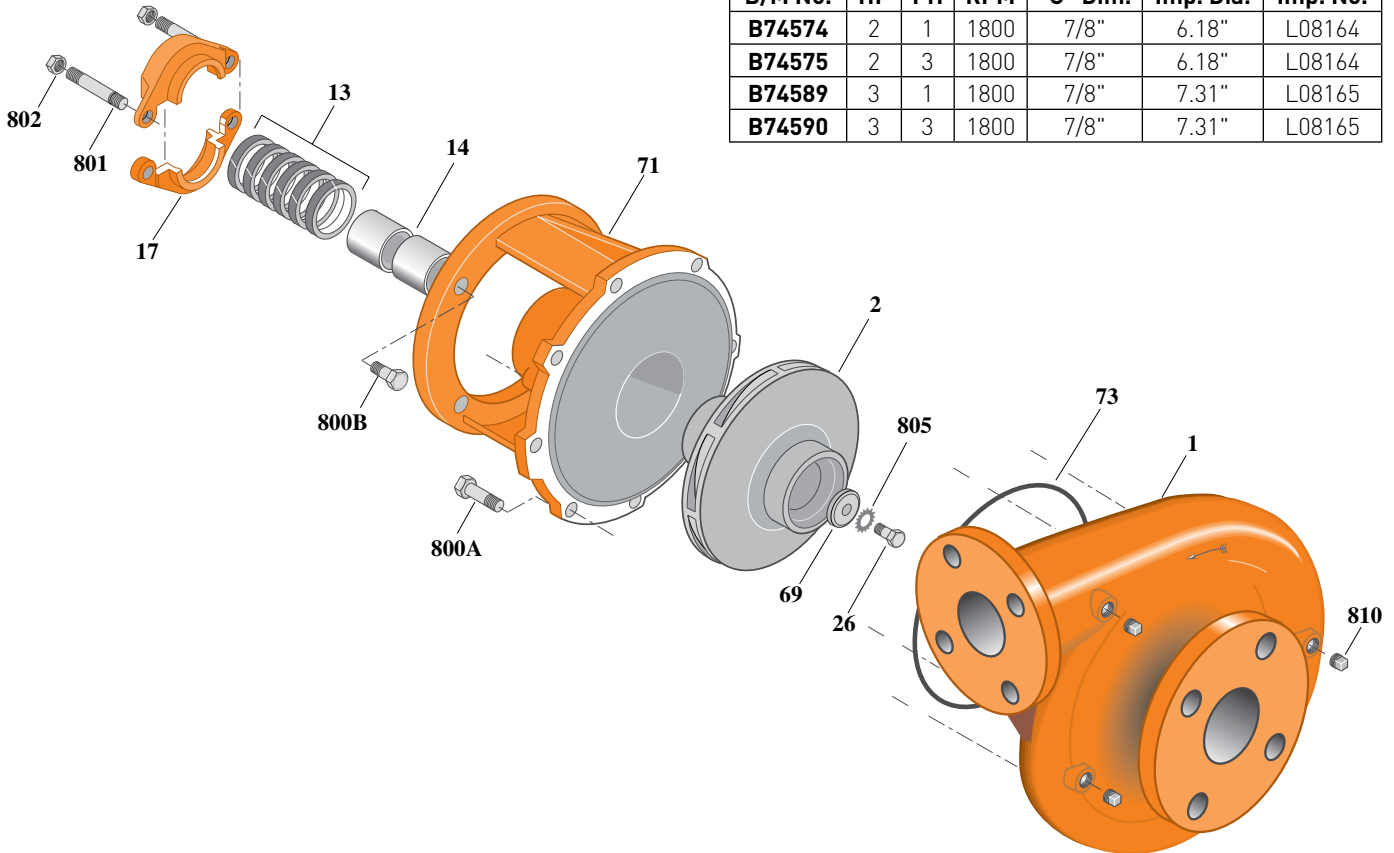
Flanged Case, Packing Construction

### ELECTRIC MOTOR DRIVE

Section	CC
Page	140.6
Date	March 4, 2013
Supersedes 07/01/11	

**Table I**

B/M No.	HP	PH	RPM	"U" Dim.	Imp. Dia.	Imp. No.
B74574	2	1	1800	7/8"	6.18"	L08164
B74575	2	3	1800	7/8"	6.18"	L08164
B74589	3	1	1800	7/8"	7.31"	L08165
B74590	3	3	1800	7/8"	7.31"	L08165



1745C 1210

Item No.	Part Description	Part Number
1	Case, Volute	H05534
2	Impeller	See Table I
13	Rings, Packing (Set of 7)	S15094
14	Sleeve, Shaft (2 Req.)	S00619L
17	Gland, Packing	B82469
26	Screw, Impeller 3/8 - 16 x 1"	S23566
32	Key, 3/16 x 1-1/4" (See Note 1)	S34383
69	Washer, Impeller	S06314
71	Bracket	See Table II
73	O-Ring (See Note 2)	M14943
800A	Capscrew, 3/8 - 16 x 7/8" (8 Req.)	S26825
800B	Capscrew, 3/8 - 16 x 1" (4 Req.)	S26826
801	Stud, 3/8 - 16 x 3" (2 Req.)	S04439
802	Nut, Hex 3/8 - 16 (2 Req.)	S23343
805	Washer, Lock	S23036
810	Plug, Pipe 1/4" NPT (4 Req.)	S23715

**Table II**

HP	PH	Bracket No.	"AK" Fit	"U" Dim.	Motor Frame
2	1	H00950	4-1/2"	7/8"	182JP
2	3	H00950	4-1/2"	7/8"	145JP
3	1	H00950	4-1/2"	7/8"	184JP
3	3	H00950	4-1/2"	7/8"	182JP

**NOTE 1:** For an explanation of the tabulated material found on this page and for impeller key location, refer to **Supplement A** located at the beginning of this section.

**NOTE 2:** Also accepts gasket **S05126** as replacement for O-Ring. See **Supplement E** located at the beginning of this section.



# BERKELEY® B2-1/2ZPM

## Silicon Bronze Impeller

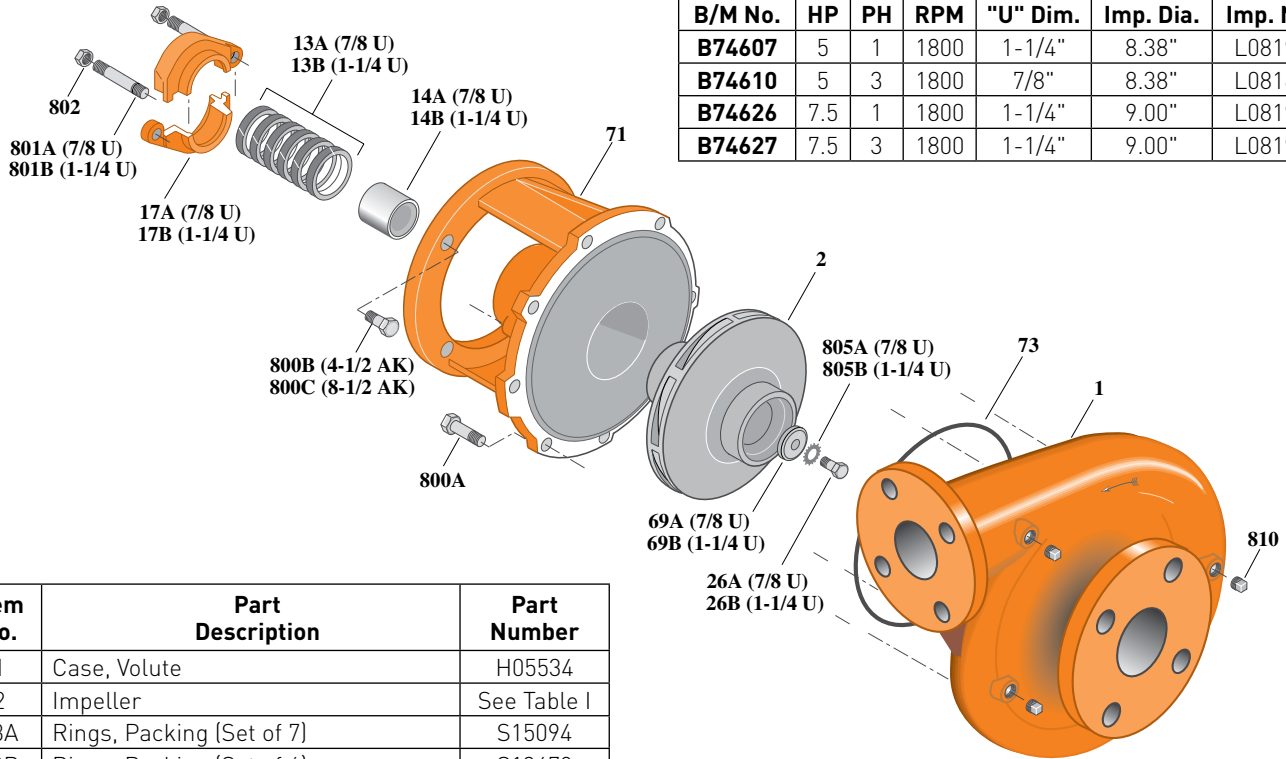
Flanged Case, Packing Construction

### ELECTRIC MOTOR DRIVE

Section	CC
Page	140.7
Date	March 4, 2013
Supersedes 07/01/11	

**Table I**

B/M No.	HP	PH	RPM	"U" Dim.	Imp. Dia.	Imp. No.
<b>B74607</b>	5	1	1800	1-1/4"	8.38"	L08191
<b>B74610</b>	5	3	1800	7/8"	8.38"	L08166
<b>B74626</b>	7.5	1	1800	1-1/4"	9.00"	L08190
<b>B74627</b>	7.5	3	1800	1-1/4"	9.00"	L08190



1745D 1210

Item No.	Part Description	Part Number
1	Case, Volute	H05534
2	Impeller	See Table I
13A	Rings, Packing [Set of 7]	S15094
13B	Rings, Packing [Set of 6]	S13470
14A	Sleeve, Shaft [2 Req.]	S00619L
14B	Sleeve, Shaft	S05149L
17A	Gland, Packing	B82469
17B	Gland, Packing	B82470
26A	Screw, Impeller 3/8 - 16 x 1"	S23566
26B	Screw, Impeller 1/2 - 13 x 1-1/2"	S23623
32A	Key, 3/16 x 1-1/4" [See Note 1]	S34383
32B	Key, 1/4 x 2-1/4" [See Note 1]	S23677
69A	Washer, Impeller	S06314
69B	Washer, Impeller	S06319
71	Bracket	See Table II
73	O-Ring [See Note 2]	M14943
800A	Capscrew, 3/8 - 16 x 7/8" [8 Req.]	S26825
800B	Capscrew, 3/8 - 16 x 1" [4 Req.]	S26826
800C	Capscrew, 1/2 - 13 x 1-1/2" [4 Req.]	S26916
801A	Stud, 3/8 - 16 x 3" [2 Req.]	S04439
801B	Stud, 3/8 - 16 x 4" [2 Req.]	S08303
802	Nut, Hex 3/8 - 16 [2 Req.]	S23343
805A	Washer, Lock	S23036
805B	Washer, Lock	S23038
810	Plug, Pipe 1/4" NPT [4 Req.]	S23715

**Table II**

HP	PH	Bracket No.	"AK" Fit	"U" Dim.	Motor Frame
5	1	L03827	8-1/2"	1-1/4"	213JP
5	3	H00950	4-1/2"	7/8"	184JP
7.5	1	L03827	8-1/2"	1-1/4"	215JP
7.5	3	L03827	8-1/2"	1-1/4"	213JP

**NOTE 1:** For an explanation of the tabulated material found on this page and for impeller key location, refer to **Supplement A** located at the beginning of this section.

**NOTE 2:** Also accepts gasket **S05126** as replacement for O-Ring. See **Supplement E** located at the beginning of this section.



# BERKELEY® B2-1/2ZPMS

## Silicon Bronze Impeller

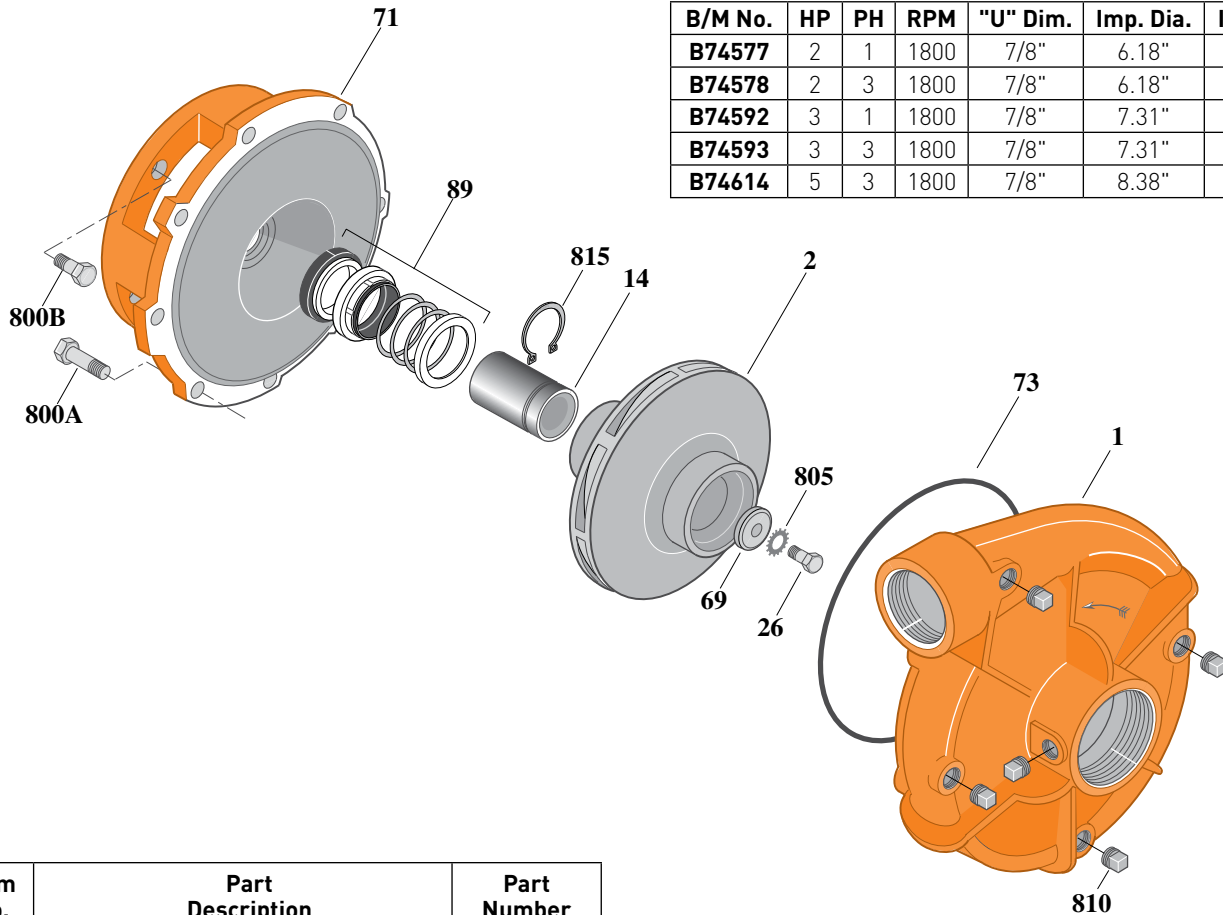
Threaded Case (NPT), Mechanical Shaft Seal Construction

ELECTRIC MOTOR DRIVE

Section	CC
Page	140.8
Date	March 4, 2013
Supersedes 07/01/11	

**Table I**

B/M No.	HP	PH	RPM	"U" Dim.	Imp. Dia.	Imp. No.
<b>B74577</b>	2	1	1800	7/8"	6.18"	L08164
<b>B74578</b>	2	3	1800	7/8"	6.18"	L08164
<b>B74592</b>	3	1	1800	7/8"	7.31"	L08165
<b>B74593</b>	3	3	1800	7/8"	7.31"	L08165
<b>B74614</b>	5	3	1800	7/8"	8.38"	L08166



Item No.	Part Description	Part Number
1	Case, Volute	L01027
2	Impeller	See Table I
14	Sleeve, Shaft	S19310L
26	Screw, Impeller 3/8 - 16 x 1"	S23566
32	Key, 3/16 x 1-1/4" [See Note 1]	S34383
69	Washer, Impeller	S06314
71	Bracket	See Table II
73	O-Ring [See Note 3]	M14943
89	Seal, Mechanical Shaft	S32014
800A	Capscrew, 3/8 - 16 x 7/8" (8 Req.)	S26825
800B	Capscrew, 3/8 - 16 x 1" (4 Req.)	S26826
805	Washer, Lock	S23036
810	Plug, Pipe 1/4" NPT (5 Req.)	S23715
815	Ring, Retaining	S11207
•	Plug, Pipe 1/8" NPT (In Bracket)	S23714

• Not illustrated.

**Table II**

HP	PH	Bracket No.	"AK" Fit	"U" Dim.	Motor Frame
2	1	L05332	4-1/2"	7/8"	182JM
2	3	L05332	4-1/2"	7/8"	145JM
3	1	L05332	4-1/2"	7/8"	184JM
3	3	L05332	4-1/2"	7/8"	182JM
5	3	L05332	4-1/2"	7/8"	184JM

**NOTE 1:** For an explanation of the tabulated material found on this page and for impeller key location, refer to **Supplement A** located at the beginning of this section.

**NOTE 2:** For seal flush line details, see **Supplement D**.

**NOTE 3:** Also accepts gasket **S05126** as replacement for O-Ring. See **Supplement E** located at the beginning of this section.





# BERKELEY® B2-1/2ZPMS

## Silicon Bronze Impeller

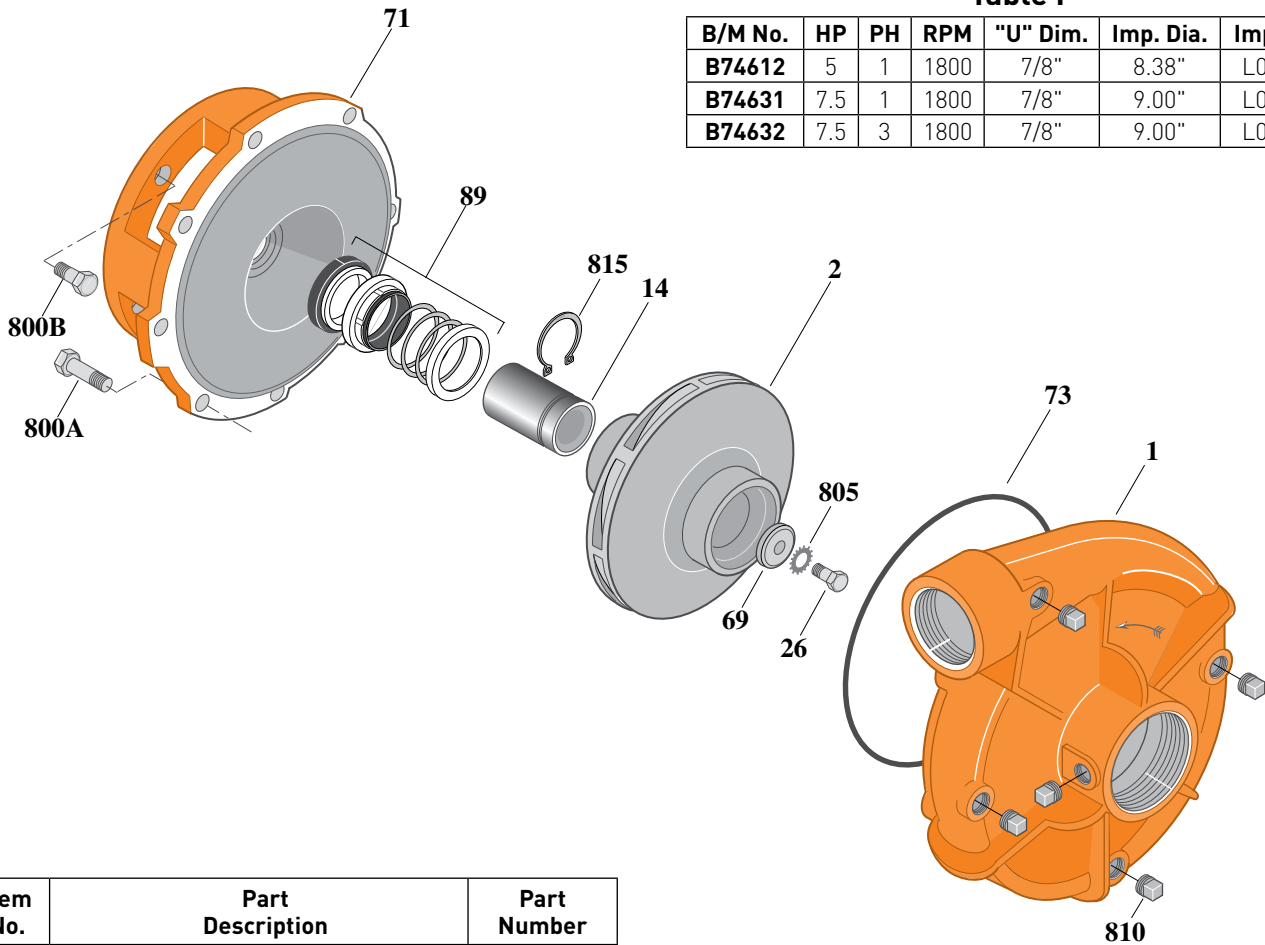
Threaded Case (NPT), Mechanical Shaft Seal Construction

ELECTRIC MOTOR DRIVE

Section	CC
Page	140.9
Date	March 4, 2013
Supersedes 07/01/11	

**Table I**

B/M No.	HP	PH	RPM	"U" Dim.	Imp. Dia.	Imp. No.
B74612	5	1	1800	7/8"	8.38"	L08166
B74631	7.5	1	1800	7/8"	9.00"	L08163
B74632	7.5	3	1800	7/8"	9.00"	L08163



1497 1210

Item No.	Part Description	Part Number
1	Case, Volute	L01027
2	Impeller	See Table I
14	Sleeve, Shaft	S19310L
26	Screw, Impeller 3/8 - 16 x 1"	S23566
32	Key, 3/16 x 1-1/4" [See Note 1]	S34383
69	Washer, Impeller	S06314
71	Bracket	See Table II
73	O-Ring [See Note 3]	M14943
89	Seal, Mechanical Shaft	S32014
800A	Capscrew, 3/8 - 16 x 7/8" (8 Req.)	S26825
800B	Capscrew, 1/2 - 13 x 1" (4 Req.)	S26912
805	Washer, Lock	S23036
810	Plug, Pipe 1/4" NPT (5 Req.)	S23715
815	Ring, Retaining	S11207
•	Plug, Pipe 1/8" NPT (In Bracket)	S23714

• Not illustrated.

**Table II**

HP	PH	Bracket No.	"AK" Fit	"U" Dim.	Motor Frame
5	1	L05331	8-1/2"	7/8"	213JM
7.5	1	L05331	8-1/2"	7/8"	215JM
7.5	3	L05331	8-1/2"	7/8"	213JM

**NOTE 1:** For an explanation of the tabulated material found on this page and for impeller key location, refer to **Supplement A** located at the beginning of this section.

**NOTE 2:** For seal flush line details, see **Supplement D**.

**NOTE 3:** Also accepts gasket **S05126** as replacement for O-Ring. See **Supplement E** located at the beginning of this section.



# BERKELEY® B2-1/2ZPMS

## Silicon Bronze Impeller

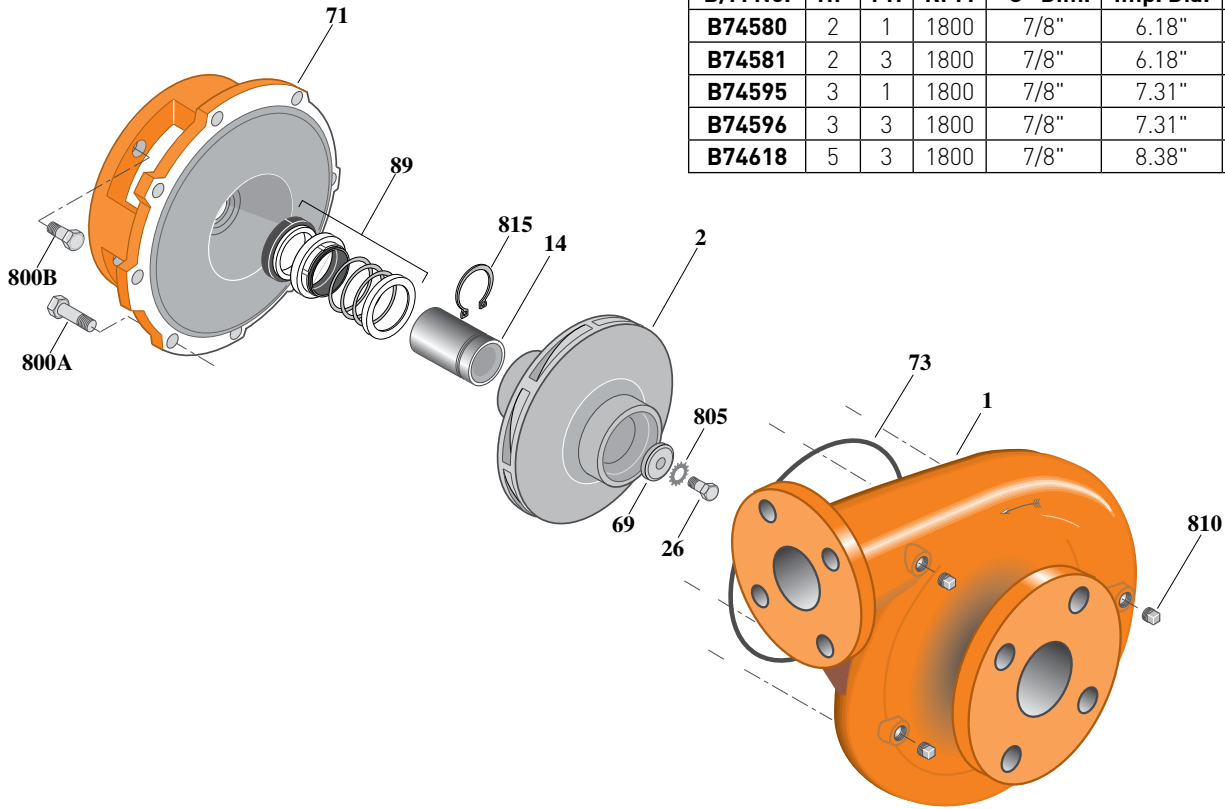
Flanged Case, Mechanical Shaft Seal Construction

ELECTRIC MOTOR DRIVE

Section	CC
Page	140.10
Date	March 4, 2013
Supersedes 07/01/11	

**Table I**

B/M No.	HP	PH	RPM	"U" Dim.	Imp. Dia.	Imp. No.
<b>B74580</b>	2	1	1800	7/8"	6.18"	L08164
<b>B74581</b>	2	3	1800	7/8"	6.18"	L08164
<b>B74595</b>	3	1	1800	7/8"	7.31"	L08165
<b>B74596</b>	3	3	1800	7/8"	7.31"	L08165
<b>B74618</b>	5	3	1800	7/8"	8.38"	L08166



1497B 1210

Item No.	Part Description	Part Number
1	Case, Volute	H05534
2	Impeller	See Table I
14	Sleeve, Shaft	S19310L
26	Screw, Impeller 3/8 - 16 x 1"	S23566
32	Key, 3/16 x 1-1/4" [See Note 1]	S34383
69	Washer, Impeller	S06314
71	Bracket	See Table II
73	O-Ring [See Note 3]	M14943
89	Seal, Mechanical Shaft	S32014
800A	Capscrew, 3/8 - 16 x 7/8" (8 Req.)	S26825
800B	Capscrew, 3/8 - 16 x 1" (4 Req.)	S26826
805	Washer, Lock	S23036
810	Plug, Pipe 1/4" NPT (4 Req.)	S23715
815	Ring, Retaining	S11207
•	Plug, Pipe 1/8" NPT (In Bracket)	S23714

• Not illustrated.

**Table II**

HP	PH	Bracket No.	"AK" Fit	"U" Dim.	Motor Frame
2	1	L05332	4-1/2"	7/8"	182JM
2	3	L05332	4-1/2"	7/8"	145JM
3	1	L05332	4-1/2"	7/8"	184JM
3	3	L05332	4-1/2"	7/8"	182JM
5	3	L05332	4-1/2"	7/8"	184JM

**NOTE 1:** For an explanation of the tabulated material found on this page and for impeller key location, refer to **Supplement A** located at the beginning of this section.

**NOTE 2:** For seal flush line details, see **Supplement D**.

**NOTE 3:** Also accepts gasket **S05126** as replacement for O-Ring. See **Supplement E** located at the beginning of this section.



# BERKELEY® B2-1/2ZPMS

## Silicon Bronze Impeller

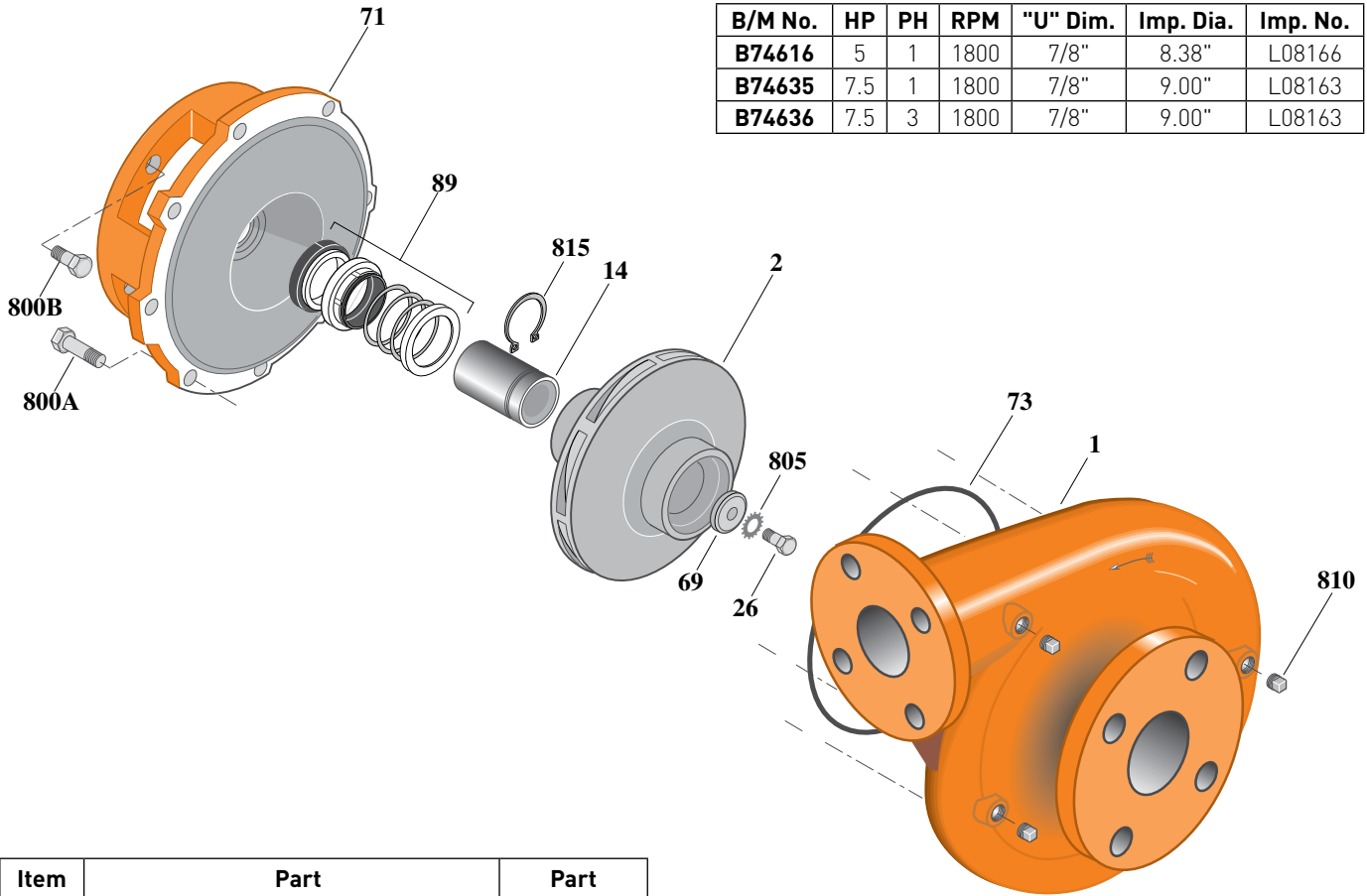
Flanged Case, Mechanical Shaft Seal Construction

ELECTRIC MOTOR DRIVE

Section	CC
Page	140.11
Date	March 4, 2013
Supersedes 07/01/11	

**Table I**

B/M No.	HP	PH	RPM	"U" Dim.	Imp. Dia.	Imp. No.
<b>B74616</b>	5	1	1800	7/8"	8.38"	L08166
<b>B74635</b>	7.5	1	1800	7/8"	9.00"	L08163
<b>B74636</b>	7.5	3	1800	7/8"	9.00"	L08163



1497B 1210

Item No.	Part Description	Part Number
1	Case, Volute	H05534
2	Impeller	See Table I
14	Sleeve, Shaft	S19310L
26	Screw, Impeller 3/8 - 16 x 1"	S23566
32	Key, 3/16 x 1-1/4" [See Note 1]	S34383
69	Washer, Impeller	S06314
71	Bracket	See Table II
73	O-Ring [See Note 3]	M14943
89	Seal, Mechanical Shaft	S32014
800A	Capscrew, 3/8 - 16 x 7/8" (8 Req.)	S26825
800B	Capscrew, 1/2 - 13 x 1" (4 Req.)	S26912
805	Washer, Lock	S23036
810	Plug, Pipe 1/4" NPT (4 Req.)	S23715
815	Ring, Retaining	S11207
•	Plug, Pipe 1/8" NPT (In Bracket)	S23714

• Not illustrated.

**Table II**

HP	PH	Bracket No.	"AK" Fit	"U" Dim.	Motor Frame
5	1	L05331	8-1/2"	7/8"	213JM
7.5	1	L05331	8-1/2"	7/8"	215JM
7.5	3	L05331	8-1/2"	7/8"	213JM

**NOTE 1:** For an explanation of the tabulated material found on this page and for impeller key location, refer to **Supplement A** located at the beginning of this section.

**NOTE 2:** For seal flush line details, see **Supplement D**.

**NOTE 3:** Also accepts gasket **S05126** as replacement for O-Ring. See **Supplement E** located at the beginning of this section.



# BERKELEY® B2-1/2ZPMS

## Bronze Impeller

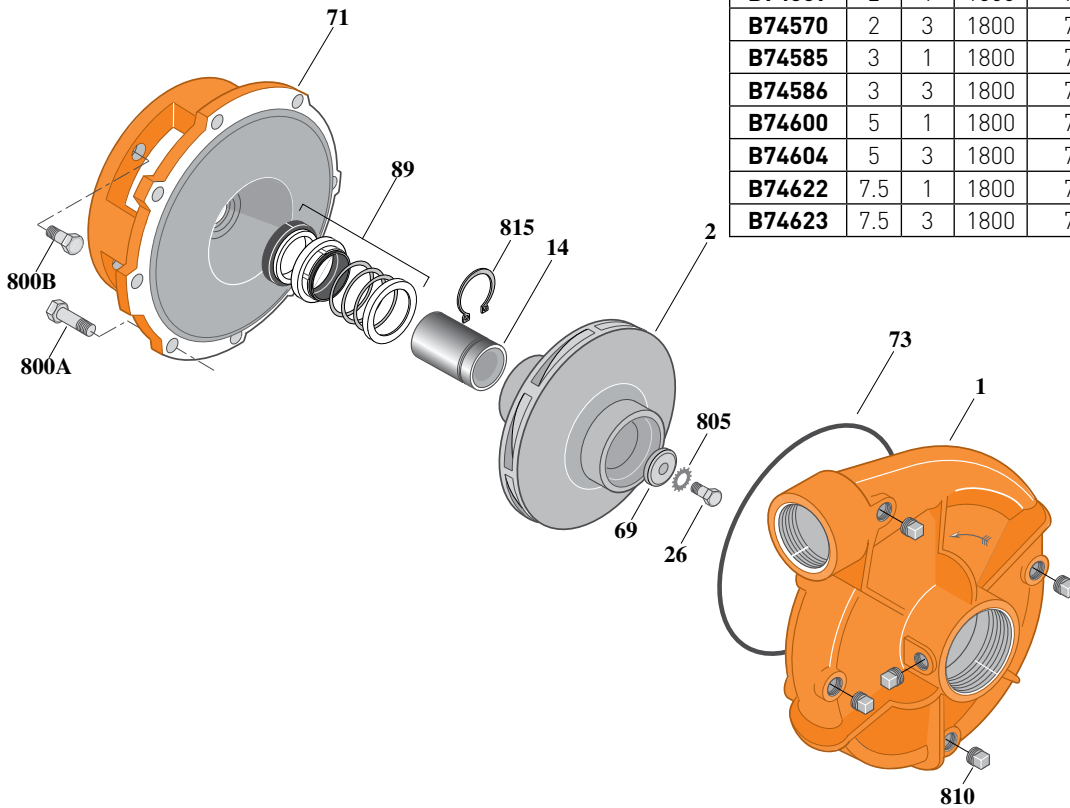
Threaded Case (NPT), Mechanical Shaft Seal Construction

ELECTRIC MOTOR DRIVE

Section	CC
Page	140.12
Date	March 4, 2013
Supersedes 07/01/11	

**Table I**

B/M No.	HP	PH	RPM	"U" Dim.	Imp. Dia.	Imp. No.
<b>B74569</b>	2	1	1800	7/8"	6.18"	L08164
<b>B74570</b>	2	3	1800	7/8"	6.18"	L08164
<b>B74585</b>	3	1	1800	7/8"	7.31"	L08165
<b>B74586</b>	3	3	1800	7/8"	7.31"	L08165
<b>B74600</b>	5	1	1800	7/8"	8.38"	L08166
<b>B74604</b>	5	3	1800	7/8"	8.38"	L08166
<b>B74622</b>	7.5	1	1800	7/8"	9.00"	L08190
<b>B74623</b>	7.5	3	1800	7/8"	9.00"	L08190



1497 1210

Item No.	Part Description	Part Number
1	Case, Volute	L01027
2	Impeller	See Table I
14	Sleeve, Shaft	S19310L
26	Screw, Impeller 3/8 - 16 x 1"	S23566
32	Key, 3/16 x 1-1/4" (See Note 1)	S34383
69	Washer, Impeller	S06314
71	Bracket	See Table II
73	O-Ring (See Note 2)	M14943
89	Seal, Mechanical Shaft	S32014
800A	Capscrew, 3/8 - 16 x 7/8" (8 Req.)	S26825
800B	Capscrew, 3/8 - 16 x 1" (4 Req.)	S26826
805	Washer, Lock	S23036
810	Plug, Pipe 1/4 NPT (5 Req.)	S23715
815	Ring, Retaining	S11207

**Table II**

HP	PH	Bracket No.	"AK" Fit	"U" Dim.	Motor Frame
2	1	L05332	4-1/2"	7/8"	182JM
2	3	L05332	4-1/2"	7/8"	145JM
3	1	L05332	4-1/2"	7/8"	184JM
3	3	L05332	4-1/2"	7/8"	182JM
5	1	L05331	8-1/2"	7/8"	213JM
5	3	L05332	4-1/2"	7/8"	184JM
7.5	1	L05331	8-1/2"	7/8"	215JM
7.5	3	L05331	8-1/2"	7/8"	213JM

**NOTE 1:** For an explanation of the tabulated material found on this page and for impeller key location, refer to **Supplement A** located at the beginning of this section.

**NOTE 2:** Also accepts gasket **S05126** as replacement for O-Ring. See **Supplement E** located at the beginning of this section.



# BERKELEY® B2-1/2ZPMS

## Bronze Impeller

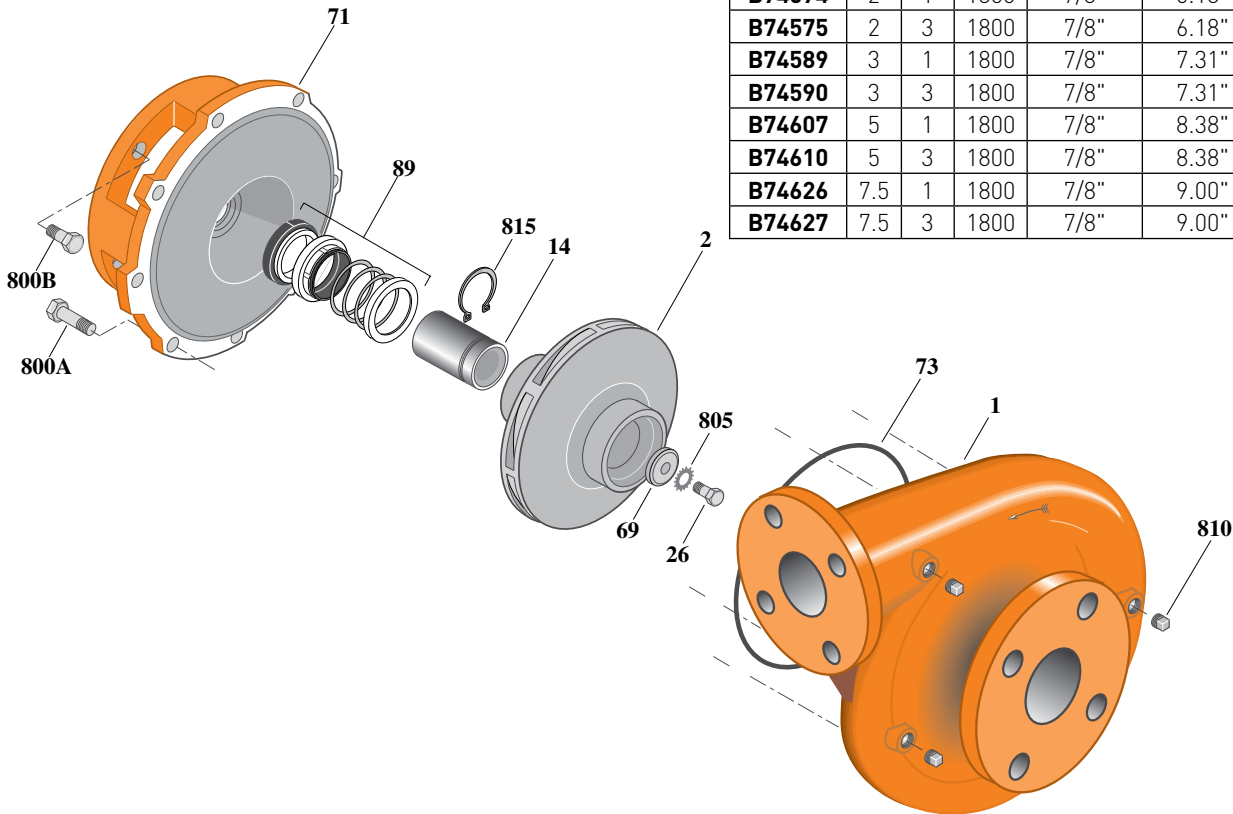
Flanged Case, Mechanical Shaft Seal Construction

ELECTRIC MOTOR DRIVE

Section	CC
Page	140.13
Date	March 4, 2013
Supersedes 07/01/11	

**Table I**

B/M No.	HP	PH	RPM	"U" Dim.	Imp. Dia.	Imp. No.
B74574	2	1	1800	7/8"	6.18"	L08164
B74575	2	3	1800	7/8"	6.18"	L08164
B74589	3	1	1800	7/8"	7.31"	L08165
B74590	3	3	1800	7/8"	7.31"	L08165
B74607	5	1	1800	7/8"	8.38"	L08166
B74610	5	3	1800	7/8"	8.38"	L08166
B74626	7.5	1	1800	7/8"	9.00"	L08190
B74627	7.5	3	1800	7/8"	9.00"	L08190



1497B 1210

Item No.	Part Description	Part Number
1	Case, Volute	H05534
2	Impeller	See Table I
14	Sleeve, Shaft	S19310L
26	Screw, Impeller 3/8 - 16 x 1"	S23566
32	Key, 3/16 x 1-1/4" [See Note 1]	S34383
69	Washer, Impeller	S06314
71	Bracket	See Table II
73	O-Ring [See Note 2]	M14943
89	Seal, Mechanical Shaft	S32014
800A	Capscrew, 3/8 - 16 x 7/8" [8 Req.]	S26825
800B	Capscrew, 3/8 - 16 x 1" [4 Req.]	S26826
805	Washer, Lock	S23036
810	Plug, Pipe 1/4 NPT [5 Req.]	S23715
815	Ring, Retaining	S11207

**Table II**

HP	PH	Bracket No.	"AK" Fit	"U" Dim.	Motor Frame
2	1	L05332	4-1/2"	7/8"	182JM
2	3	L05332	4-1/2"	7/8"	145JM
3	1	L05332	4-1/2"	7/8"	184JM
3	3	L05332	4-1/2"	7/8"	182JM
5	1	L05331	8-1/2"	7/8"	213JM
5	3	L05332	4-1/2"	7/8"	184JM
7.5	1	L05331	8-1/2"	7/8"	215JM
7.5	3	L05331	8-1/2"	7/8"	213JM

**NOTE 1:** For an explanation of the tabulated material found on this page and for impeller key location, refer to **Supplement A** located at the beginning of this section.

**NOTE 2:** Also accepts gasket **S05126** as replacement for O-Ring. See **Supplement E** located at the beginning of this section.

