

BERKELEY® B10JQBH

SAE ENGINE MOUNT

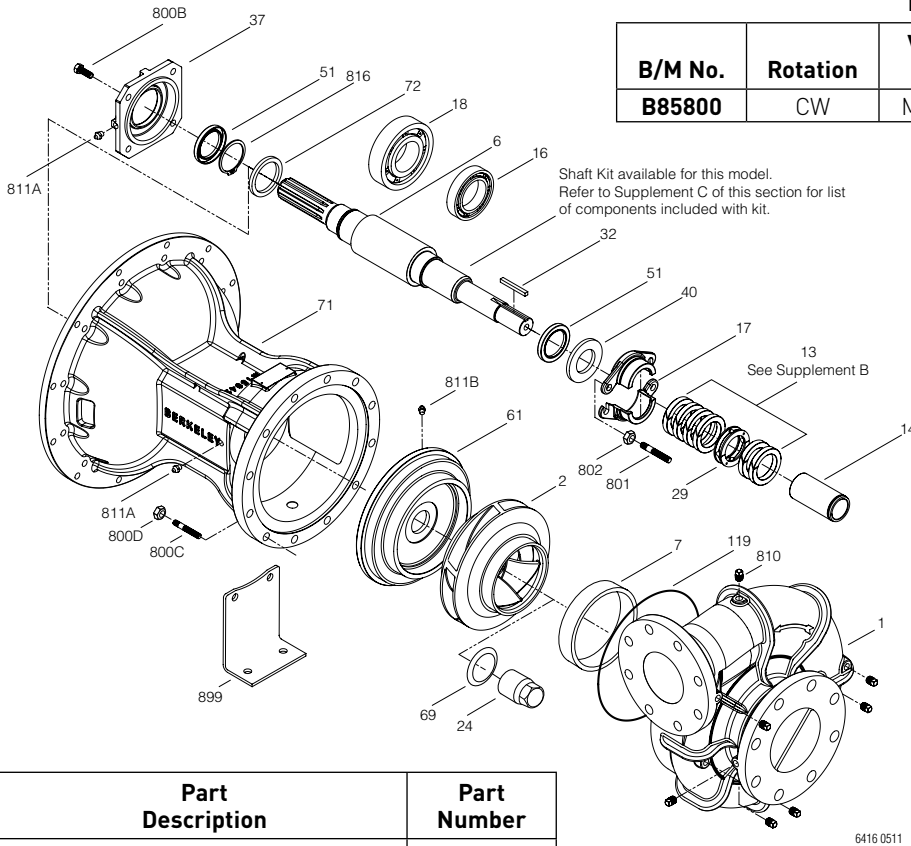
Cast Iron Impeller

Flanged Case, Packing Construction

Section	SAE
Page	270.1
Date	March 4, 2013
Supersedes 06/01/11	

Table I

B/M No.	Rotation	Volute Case	Impeller	Impeller Diameter
B85800	CW	M15103	M15105	13.50"



Item No.	Part Description	Part Number
1	Case, Volute	M15103
2	Impeller [Note 1]	M15105
6	Shaft [Note 2]	M15118
7	Ring, Wearing	M15125
13	Ring, Packing [Set of 6]	S16448
14	Sleeve, Shaft [Note 3]	S29517L
16	Bearing, Ball [Note 2]	M15133
17	Gland, Packing [2 rqd]	M05311
18	Bearing, Ball [Note 2]	M15132
24	Locknut, Impeller [Note 1,3]	S07829
29	Ring, Lantern	S14330
32	Key, 1/2x1/2x2-3/4" [Note 1,3]	M15123
37	Bearing Cap	M15119
40	Slinger, Water [Note 2]	M15129
51	Seal, Grease [2 rqd]	M15135
61	Plate, Seal	M15110
69	Washer, Impeller [Note 1,3]	M15232
71	Bracket	M15116
72	Ring, Thrust [Note 2]	M15202
119	O-Ring [Note 1,3]	M15130

Item No.	Part Description	Part Number
800B	Capscrew, 1/2-13x1.5" [4 rqd]	S23623
800C	Stud, 5/8-11x2-1/2" [12 rqd]	M15388
800D	Nut, Hex 5/8-11 [12 rqd]	S23490
801	Stud, 1/2-13x2-1/2" [2 rqd]	S24358
802	Nut, Hex 1/2-13 [2 rqd]	S23347
810	Plug, Pipe [7 rqd]	S23717
811A	Fitting, Grease [2 rqd]	S23670
811B	Fitting, Grease	S23700
816	Ring, Retaining [Note 2]	M15134
899	Pump Support	M15588

NOTE 1: Impeller Kit **B85810** includes items 2, 24, 32, 69, 119.

NOTE 2: Shaft Replacement Kit **B85675** available for this model. Pump Shaft sold in shaft replacement kit only.

NOTE 3: Shaft Sleeve Kit **B85812** includes item 14, adhesive and instruction sheet.



BERKELEY® B10JQBHS

SAE ENGINE MOUNT

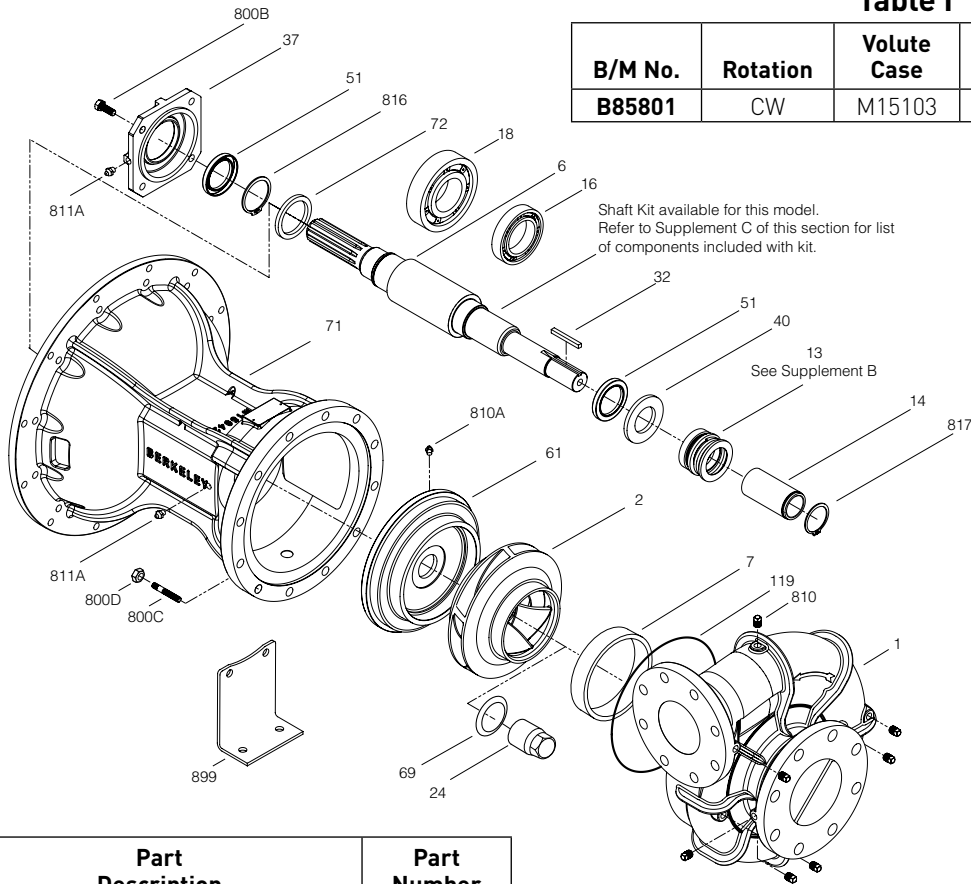
Cast Iron Impeller

Flanged Case, Mechanical Shaft Seal Construction

Section	SAE
Page	270.2
Date	March 4, 2013
Supersedes 06/01/11	

Table I

B/M No.	Rotation	Volute Case	Impeller	Impeller Diameter
B85801	CW	M15103	M15105	13.50"



Shaft Kit available for this model. Refer to Supplement C of this section for list of components included with kit.

See Supplement B

6417 0511

Item No.	Part Description	Part Number
1	Case, Volute	M15103
2	Impeller [Note 1]	M15105
6	Shaft [Note 2]	M15118
7	Ring, Wearing	M15125
13	Seal, Mechanical	S32697
14	Sleeve, Shaft [Note 3]	S29517L
16	Bearing, Ball [Note 2]	M15133
18	Bearing, Ball [Note 2]	M15132
24	Locknut, Impeller [Note 1,3]	S07829
32	Key, 1/2x1/2x2-3/4" [Note 1,2,3]	M15123
37	Bearing Cap	M15119
40	Slinger, Water [Note 2]	M15129
51	Seal, Grease [2 rqd]	M15135
61	Plate, Seal	M15107
69	Washer, Impeller [Note 1,3]	M15232
71	Bracket	M15116
72	Ring, Thrust [Note 2]	M15202
119	O-Ring [Note 1,3]	M15130

Item No.	Part Description	Part Number
800B	Capscrew, 1/2-13x1.5" [4 rqd]	S23623
800C	Stud, 5/8-11x2-1/2" [12 rqd]	M15388
800D	Nut, Hex 5/8-11 [12 rqd]	S23490
810	Plug, Pipe [7 rqd]	S23717
810A	Plug, Pipe	S23714
811A	Fitting, Grease [2 rqd]	S23670
816	Ring, Retaining [Note 2]	M15134
817	Ring, Retaining	S29519
899	Pump Support	M15588

NOTE 1: Impeller Kit **B85810** includes items 2, 24, 32, 69, 119.

NOTE 2: Shaft Replacement Kit **B85675** available for this model. Pump Shaft sold in shaft replacement kit only.

NOTE 3: Shaft Sleeve Kit **B85812** includes item 14, adhesive and instruction sheet.

