

# BERKELEY® B10GPBM

## Cast Iron Impeller

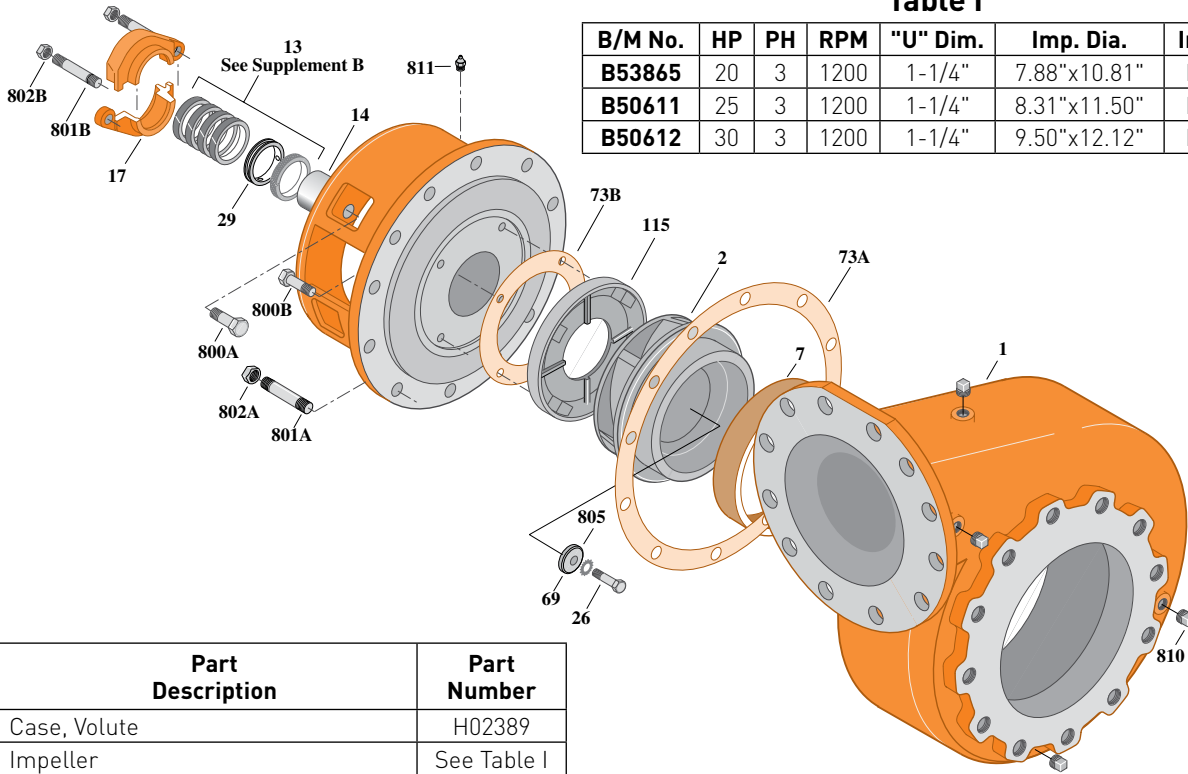
Flanged Case, Packing Construction

## ELECTRIC MOTOR DRIVE

Section	CC
Page	430.1
Date	March 4, 2013
Supersedes 01/01/04	

**Table I**

B/M No.	HP	PH	RPM	"U" Dim.	Imp. Dia.	Imp. No.
<b>B53865</b>	20	3	1200	1-1/4"	7.88"x10.81"	L06204
<b>B50611</b>	25	3	1200	1-1/4"	8.31"x11.50"	L06203
<b>B50612</b>	30	3	1200	1-1/4"	9.50"x12.12"	L04240



1780 0495

Item No.	Part Description	Part Number
1	Case, Volute	H02389
2	Impeller	See Table I
7	Ring, Wearing	M00999
13	Rings, Packing (Set of 4)	S13435
14	Sleeve, Shaft	S05149
17	Gland, Packing	B82470
26	Screw, Impeller 1/2 - 13 x 2-1/2"	S23629
29	Ring, Lantern	S19200
32	Key, 1/4 x 2-1/4" (See Note)	S23677
69	Washer, Impeller	S06319
71	Bracket	See Table II
73A	Gasket, Volute Case	S06271
73B	Gasket, Balance Ring	S09943
115	Ring, Balance	S14065
800A	Capscrew, 5/8 - 11 x 1-1/2" [4 Req.]	S26999
800B	Capscrew, 3/8 - 16 x 1-1/2" [4 Req.]	S26830
801A	Stud, 5/8 - 11 x 2-1/4" [12 Req.]	S24061
801B	Stud, 3/8 - 16 x 2-1/2" [2 Req.]	S04438
802A	Nut, Hex 5/8 - 11 [12 Req.]	S23109
802B	Nut, Hex 3/8 - 16 [2 Req.]	S23343
805	Washer, Lock	S23038
810	Plug, Pipe 1/2 NPT [4 Req.]	S23717
811	Fitting, Grease	S23700
812	Elbow, Street	S25421

**Table II**

HP	PH	Bracket No.	"AK" Fit	"U" Dim.	Motor Frame
20	3	H01601	12-1/2"	1-1/4"	286JP
25	3	H01601	12-1/2"	1-1/4"	324JP
30	3	H01601	12-1/2"	1-1/4"	326JP

**NOTE:** For an explanation of the tabulated material found on this page and for impeller key location, refer to **Supplement A** located at the beginning of this section.



# BERKELEY® B10GPBM

## Cast Iron Impeller

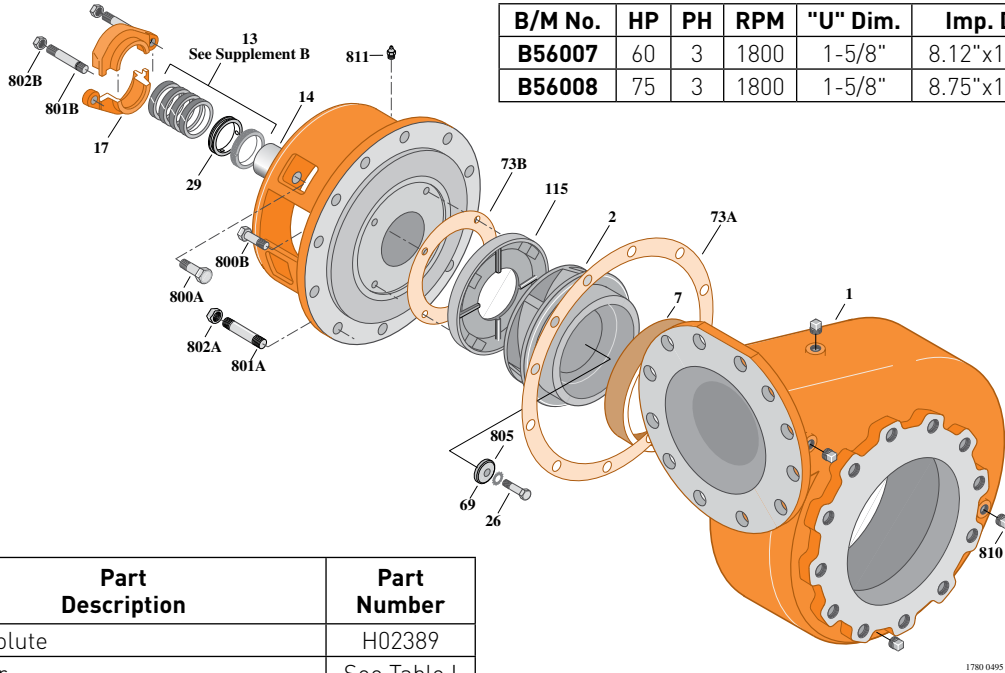
Flanged Case, Packing Construction

## ELECTRIC MOTOR DRIVE

Section	CC
Page	430.2
Date	March 4, 2013
Supersedes 01/01/04	

**Table I**

B/M No.	HP	PH	RPM	"U" Dim.	Imp. Dia.	Imp. No.
B56007	60	3	1800	1-5/8"	8.12"x10.12"	L06205
B56008	75	3	1800	1-5/8"	8.75"x10.75"	L06206



1780 0495

Item No.	Part Description	Part Number
1	Case, Volute	H02389
2	Impeller	See Table I
7	Ring, Wearing	M00999
13	Rings, Packing (Set of 4)	S13437
14	Sleeve, Shaft	S07073
17	Gland, Packing	B82471
26	Screw, Impeller 1/2 - 13 x 2-1/2"	S23621
29	Ring, Lantern	S19198
32	Key, 1/4 x 2-1/4" (See Note)	S23677
69	Washer, Impeller	S34492
71	Bracket	See Table II
73A	Gasket, Volute Case	S06271
73B	Gasket, Balance Ring	S09943
115	Ring, Balance	S14065
800A	Capscrew, 5/8 - 11 x 1-3/4" [4 Req.]	S27001
800B	Capscrew, 3/8 - 16 x 1-1/2" [4 Req.]	S26830
801A	Stud, 5/8 - 11 x 2" [12 Req.]	S24060
801B	Stud, 3/8 - 16 x 2-1/2" [2 Req.]	S04438
802A	Nut, Hex 5/8 - 11 [12 Req.]	S23109
802B	Nut, Hex 3/8 - 16 [2 Req.]	S23343
805	Washer, Lock	S23038
810	Plug, Pipe 1/2 NPT [5 Req.]	S23717
811	Fitting, Grease	S23700
812	Elbow, Street	S25421
•	Plug, Pipe 1/4 NPT [2 Req.] (Not Illustrated)	S23715

**Table II**

HP	PH	Bracket No.	"AK" Fit	"U" Dim.	Motor Frame
60	3	H03622	12-1/2"	1-5/8"	364JP
75	3	H03622	12-1/2"	1-5/8"	365JP

**NOTE:** For an explanation of the tabulated material found on this page and for impeller key location, refer to **Supplement A** located at the beginning of this section.



# BERKELEY® B10GPBM

## Cast Iron Impeller

Flanged Case, Packing Construction

## ELECTRIC MOTOR DRIVE

Section	CC
Page	430.3
Date	March 4, 2013
Supersedes 01/01/04	

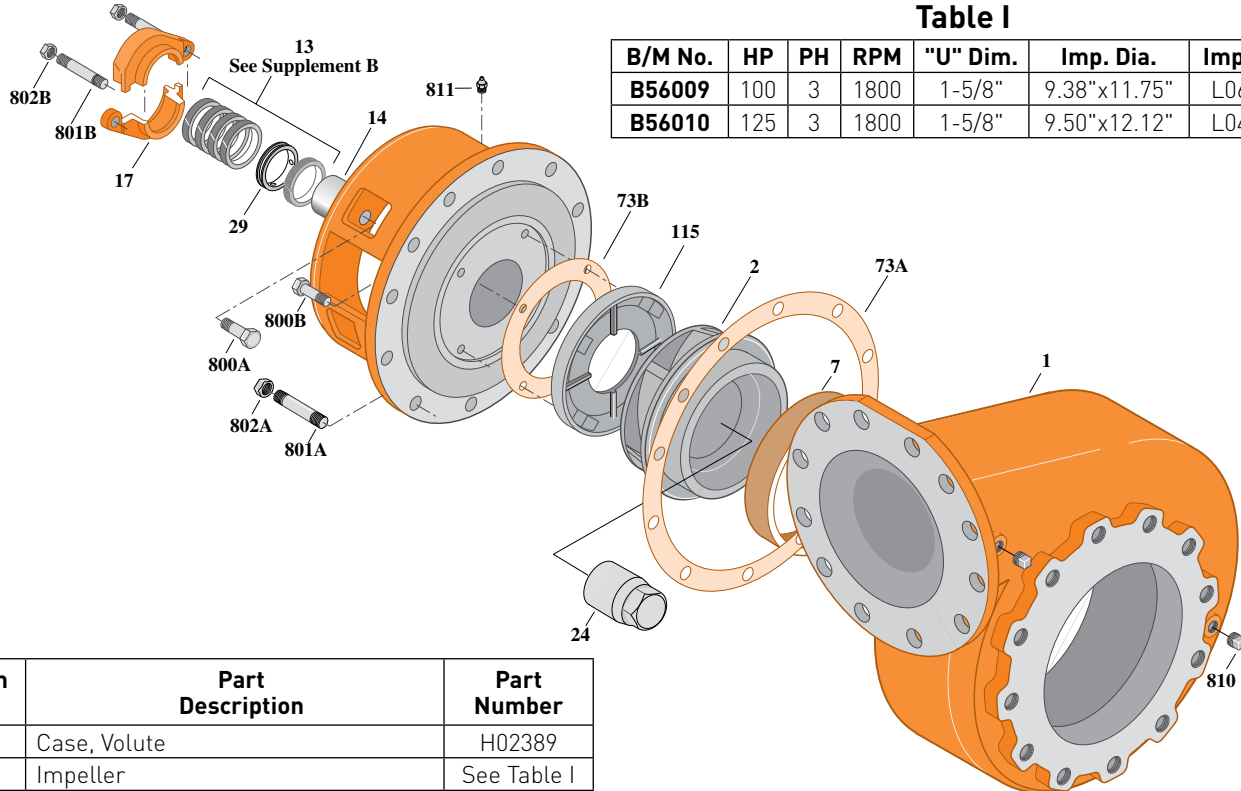


Table I

B/M No.	HP	PH	RPM	"U" Dim.	Imp. Dia.	Imp. No.
B56009	100	3	1800	1-5/8"	9.38"x11.75"	L06207
B56010	125	3	1800	1-5/8"	9.50"x12.12"	L04123

Item No.	Part Description	Part Number
1	Case, Volute	H02389
2	Impeller	See Table I
7	Ring, Wearing	M00999
13	Rings, Packing (Set of 4)	S13437
14	Sleeve, Shaft	S07073
17	Gland, Packing	B82471
24	Nut, Impeller	S07829
29	Ring, Lantern	S19198
32	Key, 3/8 x 2-1/4" (See Note)	S23940
71	Bracket	See Table II
73A	Gasket, Volute Case	S06271
73B	Gasket, Balance Ring	S09943
115	Ring, Balance	S14065
800A	Capscrew, 5/8 - 11 x 1-3/4" (4 Req.)	S27001
800B	Capscrew, 3/8 - 16 x 1-1/2" (4 Req.)	S26830
801A	Stud, 5/8 - 11 x 2" (12 Req.)	S24060
801B	Stud, 3/8 - 16 x 2-1/2" (2 Req.)	S04438
802A	Nut, Hex 5/8 - 11 (12 Req.)	S23109
802B	Nut, Hex 3/8 - 16 (2 Req.)	S23343
810	Plug, Pipe 1/2 NPT (5 Req.)	S23717
811	Fitting, Grease	S23700
812	Elbow, Street	S25421
•	Plug, Pipe 1/4 NPT (2 Req.) (Not Illustrated)	S23715

Table II

HP	PH	Bracket No.	"AK" Fit	"U" Dim.	Motor Frame
100	3	H03622	12-1/2"	1-5/8"	404TC
125	3	H03622	12-1/2"	1-5/8"	405TC

**NOTE:** For an explanation of the tabulated material found on this page and for impeller key location, refer to **Supplement A** located at the beginning of this section.

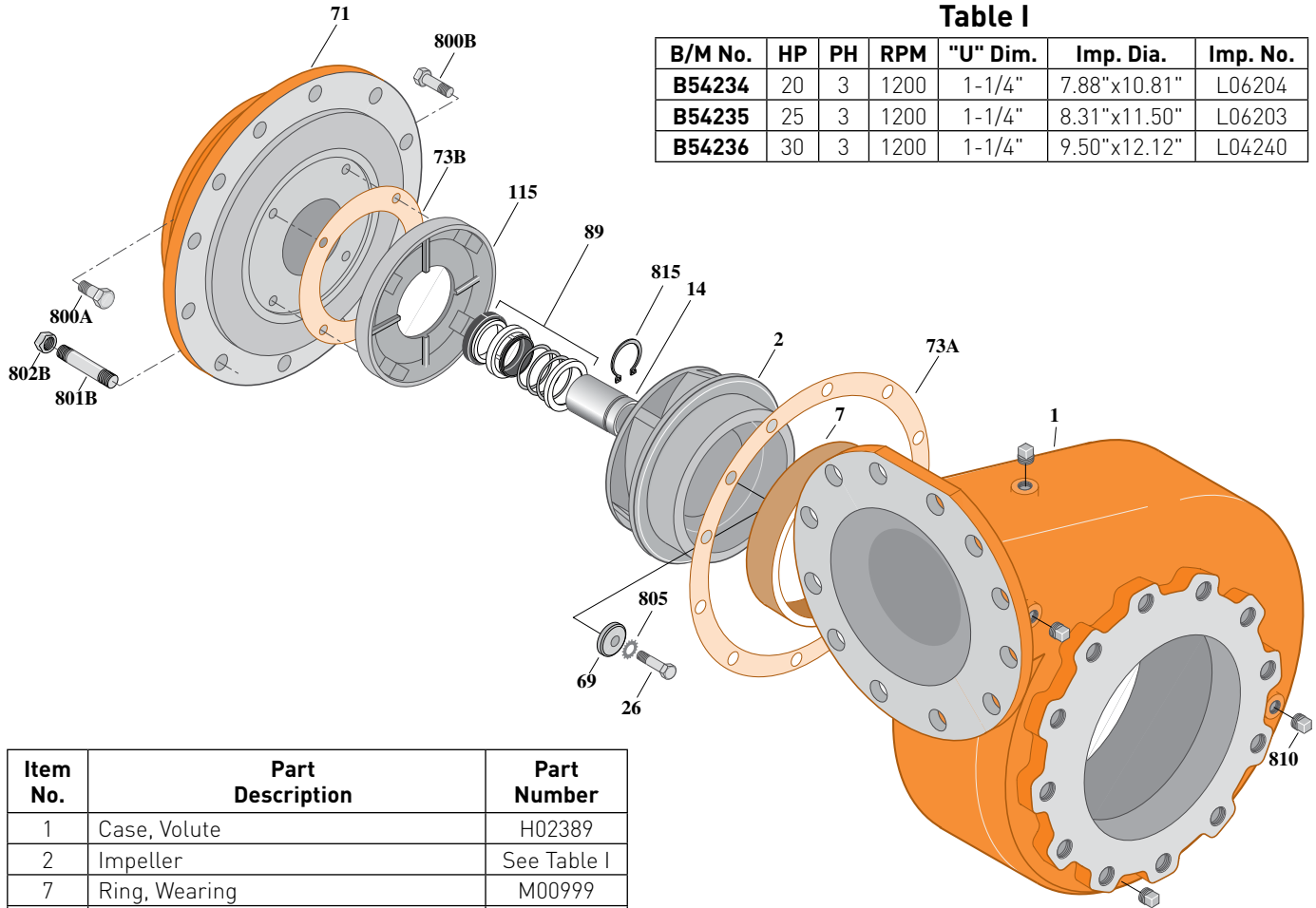
# BERKELEY® B10GPBMS

## Cast Iron Impeller

Flanged Case, Mechanical Shaft Seal Construction

## ELECTRIC MOTOR DRIVE

Section	CC
Page	430.4
Date	March 4, 2013
Supersedes 01/01/04	



**Table I**

B/M No.	HP	PH	RPM	"U" Dim.	Imp. Dia.	Imp. No.
B54234	20	3	1200	1-1/4"	7.88"x10.81"	L06204
B54235	25	3	1200	1-1/4"	8.31"x11.50"	L06203
B54236	30	3	1200	1-1/4"	9.50"x12.12"	L04240

Item No.	Part Description	Part Number
1	Case, Volute	H02389
2	Impeller	See Table I
7	Ring, Wearing	M00999
14	Sleeve, Shaft	S18869
26	Screw, Impeller 1/2 - 13 x 2-1/2"	S23629
32	Key, 1/4 x 2-1/4" (See Note)	S23677
69	Washer, Impeller	S06319
71	Bracket	See Table II
73A	Gasket, Volute Case	S06271
73B	Gasket, Balance Ring	S09943
89	Seal, Mechanical Shaft	S32015
115	Ring, Balance	S19073
800A	Capscrew, 5/8 - 11 x 1-1/2" [4 Req.]	S26999
800B	Capscrew, 3/8 - 16 x 1" [4 Req.]	S26826
801	Stud, 5/8 - 11 x 2-1/4" [12 Req.]	S24061
802	Nut, Hex 5/8 - 11 [12 Req.]	S23109
805	Washer, Lock	S23038
810	Plug, Pipe 1/2 NPT [4 Req.]	S23717
815	Ring, Retaining	S16767
•	Ring Spacer (Not Illustrated)	S19349

**Table II**

HP	PH	Bracket No.	"AK" Fit	"U" Dim.	Motor Frame
20	3	H03301	12-1/2"	1-1/4"	286JM
25	3	H03301	12-1/2"	1-1/4"	324JM
30	3	H03301	12-1/2"	1-1/4"	326JM

**NOTE:** For an explanation of the tabulated material found on this page and for impeller key location, refer to **Supplement A** located at the beginning of this section.



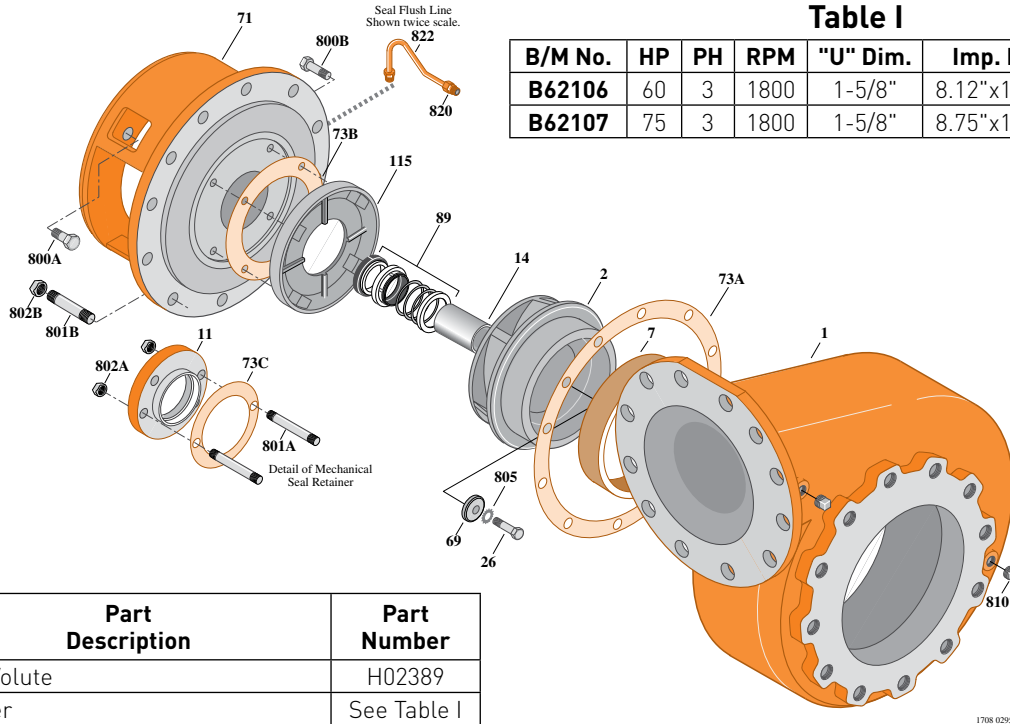
# BERKELEY® B10GPBMS

## ELECTRIC MOTOR DRIVE

### Cast Iron Impeller

Flanged Case, Mechanical Shaft Seal Construction

Section	CC
Page	430.5
Date	March 4, 2013
Supersedes 01/01/04	



**Table I**

B/M No.	HP	PH	RPM	"U" Dim.	Imp. Dia.	Imp. No.
<b>B62106</b>	60	3	1800	1-5/8"	8.12"x10.12"	L06205
<b>B62107</b>	75	3	1800	1-5/8"	8.75"x10.75"	L06206

Item No.	Part Description	Part Number
1	Case, Volute	H02389
2	Impeller	See Table I
7	Ring, Wearing	M00999
11	Retainer, Mechanical Shaft Seal	S15377
14	Sleeve, Shaft	S07073
26	Screw, Impeller 1/2 - 13 x 1-1/4"	S23621
32	Key, 1/4 x 2-1/4" (See Note)	S23677
69	Washer, Impeller	S34492
71	Bracket	See Table II
73A	Gasket, Volute Case	S06271
73B	Gasket, Balance Ring	S09943
73C	Gasket, Seal Retainer	S16411
89	Seal, Mechanical Shaft	S32016
115	Ring, Balance	S14065
800A	Capscrew, 5/8 - 11 x 1-3/4" [4 Req.]	S27001
800B	Capscrew, 3/8 - 16 x 1-1/2" [4 Req.]	S26830
801A	Stud, 3/8 - 16 x 2-1/2" [2 Req.]	S04438
801B	Stud, 5/8 - 11 x 2" [12 Req.]	S24060
802A	Nut, Hex 3/8 - 16 [2 Req.]	S23343
802B	Nut, Hex 5/8 - 11 [12 Req.]	S23109
805	Washer, Lock	S23038
810	Plug, Pipe 1/2 NPT [5 Req.]	S23717
820	Connector, Comp. Fitting [2 Req.]	S24013
822	Tubing, Copper	S20677
•	Plug, Pipe 1/8 NPT (Not Illustrated)	S23714
•	Plug, Pipe 1/4 NPT (Not Illustrated)	S19349

**Table II**

HP	PH	Bracket No.	"AK" Fit	"U" Dim.	Motor Frame
60	3	H03936	12-1/2"	1-5/8"	364JP
75	3	H03936	12-1/2"	1-5/8"	365JP

**NOTE:** For an explanation of the tabulated material found on this page and for impeller key location, refer to **Supplement A** located at the beginning of this section.



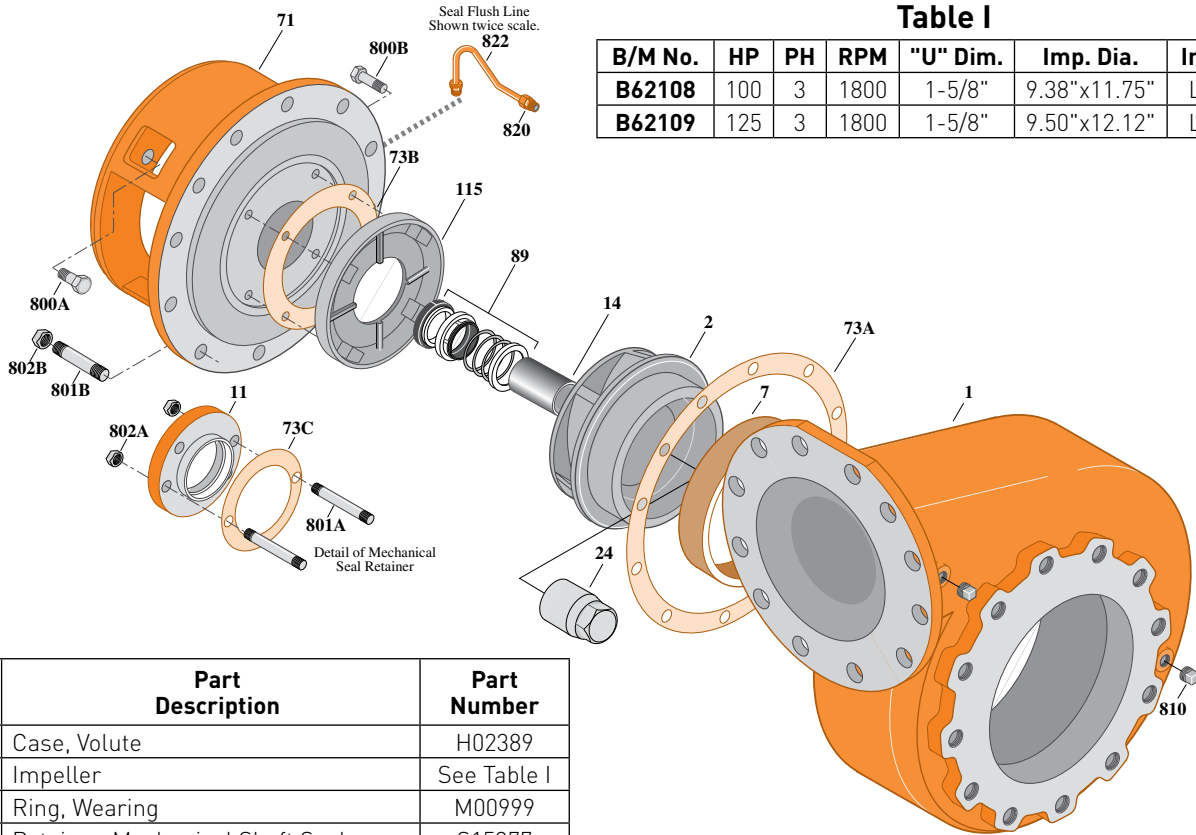
# BERKELEY® B10GPBMS

## Cast Iron Impeller

Flanged Case, Mechanical Shaft Seal Construction

## ELECTRIC MOTOR DRIVE

Section	CC
Page	430.6
Date	March 4, 2013
Supersedes 01/01/04	



**Table I**

B/M No.	HP	PH	RPM	"U" Dim.	Imp. Dia.	Imp. No.
B62108	100	3	1800	1-5/8"	9.38"x11.75"	L06207
B62109	125	3	1800	1-5/8"	9.50"x12.12"	L04123

Item No.	Part Description	Part Number
1	Case, Volute	H02389
2	Impeller	See Table I
7	Ring, Wearing	M00999
11	Retainer, Mechanical Shaft Seal	S15377
14	Sleeve, Shaft	S07073
24	Nut, Impeller	S07829
32	Key, 3/8 x 2-1/4" [See Note]	S23940
71	Bracket	See Table II
73A	Gasket, Volute Case	S06271
73B	Gasket, Balance Ring	S09943
73C	Gasket, Seal Retainer	S16411
89	Seal, Mechanical Shaft	S32016
115	Ring, Balance	S14065
800A	Capscrew, 5/8 - 11 x 1-3/4" [4 Req.]	S27001
800B	Capscrew, 3/8 - 16 x 1-1/2" [4 Req.]	S26830
801A	Stud, 3/8 - 16 x 2-1/2" [2 Req.]	S04438
801B	Stud, 5/8 - 11 x 2" [12 Req.]	S24060
802A	Nut, Hex 3/8 - 16 [2 Req.]	S23343
802B	Nut, Hex 5/8 - 11 [12 Req.]	S23109
810	Plug, Pipe 1/2 NPT [5 Req.]	S23717
820	Connector, Comp. Fitting [2 Req.]	S24013
822	Tubing, Copper	S20677
•	Plug, Pipe 1/8 NPT [Not Illustrated]	S23714
•	Plug, Pipe 1/4 NPT [Not Illustrated]	S19349

**Table II**

HP	PH	Bracket No.	"AK" Fit	"U" Dim.	Motor Frame
100	3	H03936	12-1/2"	1-5/8"	404TC
125	3	H03936	12-1/2"	1-5/8"	405TC

**NOTE:** For an explanation of the tabulated material found on this page and for impeller key location, refer to **Supplement A** located at the beginning of this section.





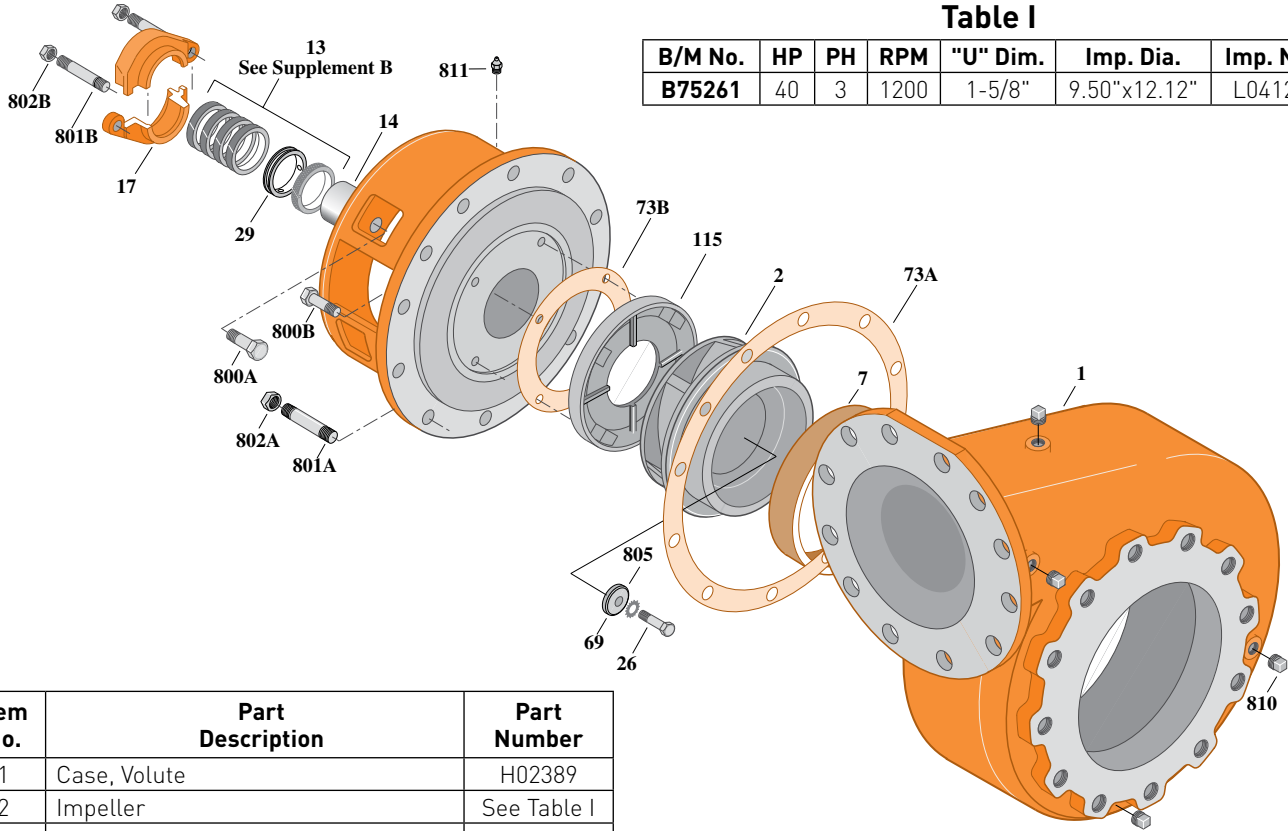
# BERKELEY® B10GPBM

## Cast Iron Impeller

Flanged Case, Packing Construction

### ELECTRIC MOTOR DRIVE

Section	CC
Page	430.7
Date	March 4, 2013
Supersedes 01/01/04	



**Table I**

B/M No.	HP	PH	RPM	"U" Dim.	Imp. Dia.	Imp. No.
B75261	40	3	1200	1-5/8"	9.50"x12.12"	L04123

Item No.	Part Description	Part Number
1	Case, Volute	H02389
2	Impeller	See Table I
7	Ring, Wearing	M00999
13	Rings, Packing [Set of 4]	S13437
14	Sleeve, Shaft	S07073
17	Gland, Packing	B82471
26	Screw, Impeller 1/2 - 13 x 1-1/4"	S23621
29	Ring, Lantern	S19198
32	Key, 3/8 x 2-1/4" [See Note]	S23940
69	Washer, Impeller	S34492
71	Bracket	See Table II
73A	Gasket, Volute Case	S06271
73B	Gasket, Balance Ring	S09943
115	Ring, Balance	S14065
800A	Capscrew, 5/8 - 11 x 1-3/4" [4 Req.]	S27001
800B	Capscrew, 3/8 - 16 x 1-1/2" [4 Req.]	S26830
801A	Stud, 5/8 - 11 x 2" [12 Req.]	S24060
801B	Stud, 3/8 - 16 x 2-1/2" [2 Req.]	S04438
802A	Nut, Hex 5/8 - 11 [12 Req.]	S23109
802B	Nut, Hex 3/8 - 16 [2 Req.]	S23343
805	Washer, Lock	S23038
810	Plug, Pipe 1/2" NPT [5 Req.]	S23717
811	Fitting, Grease	S23700

**Table II**

HP	PH	Bracket No.	"AK" Fit	"U" Dim.	Motor Frame
40	3	H03622	12-1/2"	1-5/8"	364TCZ

**NOTE:** For an explanation of the tabulated material found on this page and for impeller key location, refer to **Supplement A** located at the beginning of this section.



# BERKELEY® B10GPBMS

## Cast Iron Impeller

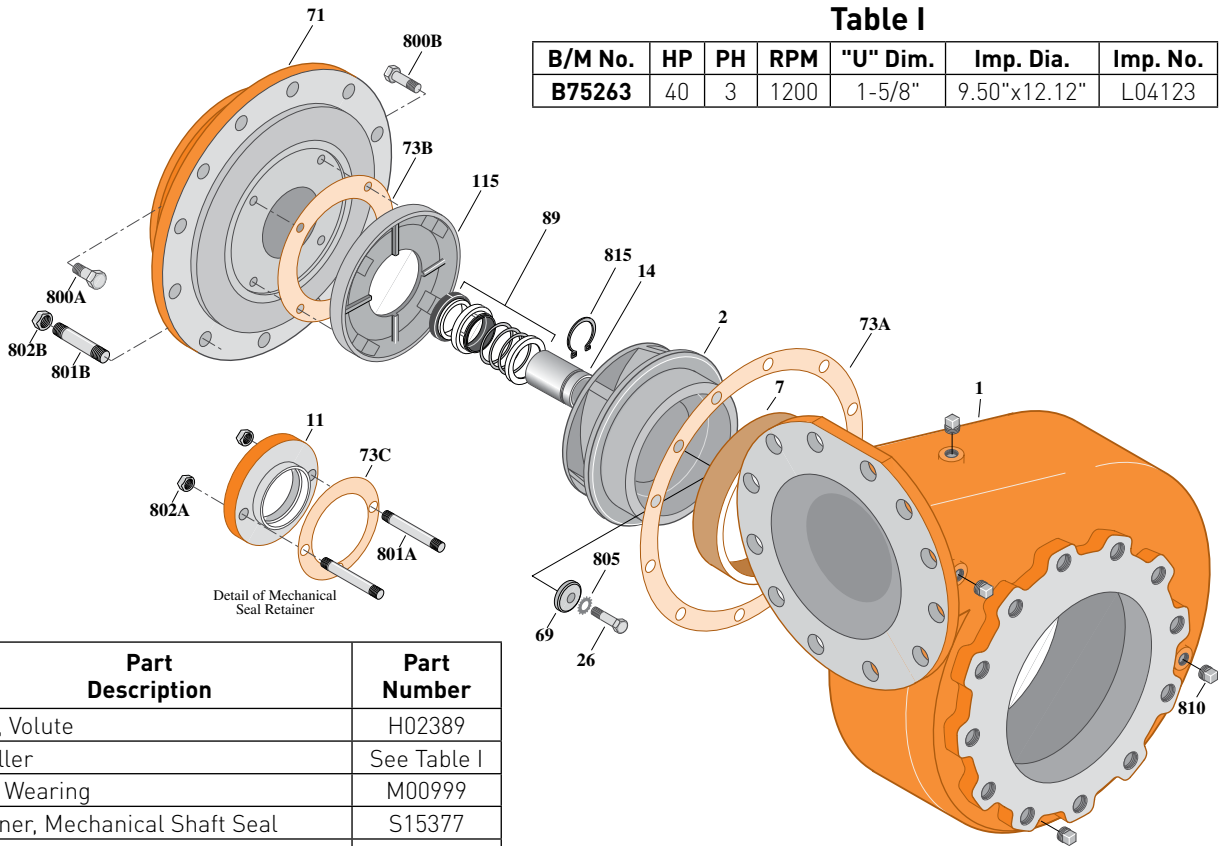
Flanged Case, Mechanical Shaft Seal Construction

ELECTRIC MOTOR DRIVE

Section	CC
Page	430.8
Date	March 4, 2013
Supersedes 01/01/04	

**Table I**

B/M No.	HP	PH	RPM	"U" Dim.	Imp. Dia.	Imp. No.
B75263	40	3	1200	1-5/8"	9.50"x12.12"	L04123



Item No.	Part Description	Part Number
1	Case, Volute	H02389
2	Impeller	See Table I
7	Ring, Wearing	M00999
11	Retainer, Mechanical Shaft Seal	S15377
14	Sleeve, Shaft	S07073
26	Screw, Impeller 1/2 - 13 x 1-1/4"	S23621
32	Key, 3/8 x 2-1/4" (See Note)	S23490
69	Washer, Impeller	S34492
71	Bracket	See Table II
73A	Gasket, Volute Case	S06271
73B	Gasket, Balance Ring	S09943
73C	Gasket, Mechanical Shaft Seal Retainer	S15078
89	Seal, Mechanical Shaft	S32016
115	Ring, Balance	S14065
800A	Capscrew, 5/8 - 11 x 1-3/4" [4 Req.]	S27001
800B	Capscrew, 3/8 - 16 x 1-1/2" [4 Req.]	S26830
801A	Stud, 3/8 - 16 x 2-1/2" [2 Req.]	S04438
801B	Stud, 5/8 - 11 x 2" [12 Req.]	S24060
802A	Nut, Hex 3/8 - 16 [2 Req.]	S23343
802B	Nut, Hex 5/8 - 11 [12 Req.]	S23109
805	Washer, Lock	S23038
810	Plug, Pipe 1/2" NPT [5 Req.]	S23717
•	Plug, Pipe 1/8" NPT(In Bracket)[2 Req.]	S23714

• Not illustrated.

**Table II**

HP	PH	Bracket No.	"AK" Fit	"U" Dim.	Motor Frame
40	3	H03936	12-1/2"	1-5/8"	364JMZ

**NOTE 1:** For an explanation of the tabulated material found on this page and for impeller key location, refer to **Supplement A** located at the beginning of this section.

**NOTE 2:** For seal flush line details, see **Supplement D**.

