

# BERKELEY® B1-1/2ZQM

## SAE ENGINE MOUNT

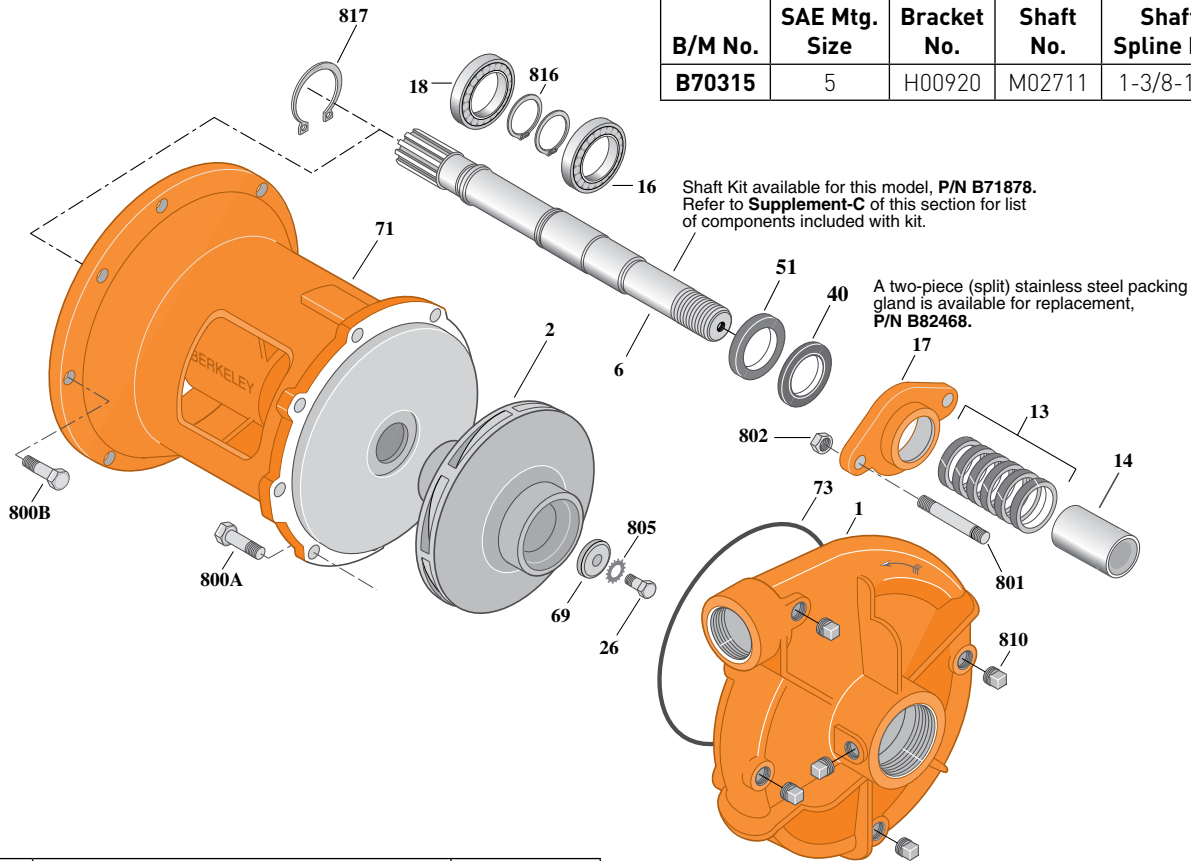
### Cast Iron Impeller

Threaded Case (NPT), Packing Construction

|                     |               |
|---------------------|---------------|
| Section             | SAE           |
| Page                | 20.1          |
| Date                | March 4, 2013 |
| Supersedes 07/01/11 |               |

**Table I**

| B/M No. | SAE Mtg. Size | Bracket No. | Shaft No. | Shaft Spline No. | Shaft Ext. |
|---------|---------------|-------------|-----------|------------------|------------|
| B70315  | 5             | H00920      | M02711    | 1-3/8-10T        | 2-1/2"     |



1951A 1210

| Item No. | Part Description                 | Part Number |
|----------|----------------------------------|-------------|
| 1        | Case, Volute                     | L01025      |
| 2        | Impeller                         | M01828      |
| 6        | Shaft [See Note]                 | See Table I |
| 13       | Ring, Packing [Set of 6]         | S14022      |
| 14       | Sleeve, Shaft                    | S05127      |
| 16       | Bearing, Ball                    | S13270      |
| 17       | Gland, Packing [See Note]        | S04948      |
| 18       | Bearing, Ball                    | S14059      |
| 26       | Screw, Impeller 3/8-16x1"        | S23566      |
| 40       | Slinger, Water                   | S12260      |
| 51       | Seal, Oil                        | S14762      |
| 69       | Washer, Impeller                 | S06314      |
| 71       | Bracket                          | See Table I |
| 73       | O-Ring [See Note]                | M14943      |
| 800A     | Capscrew, Hex 3/8-16x1" [8 Req.] | S26826      |

| Item No. | Part Description                     | Part Number |
|----------|--------------------------------------|-------------|
| 800B     | Capscrew, Hex 3/8-16x1-1/4" [7 Req.] | S26828      |
| 801      | Stud, 3/8-16x3" [2 Req.]             | S04439      |
| 802      | Nut, Hex 3/8-16 [2 Req.]             | S23343      |
| 805      | Washer, Lock                         | S23036      |
| 810      | Plug, Pipe 1/4 NPT [5 Req.]          | S23715      |
| 816      | Ring, Retaining [2 Req.]             | S23010      |
| 817      | Ring, Retaining                      | S24652      |
| •        | Fitting, Grease                      | S23700      |

• Not illustrated.

**NOTE:** Also accepts gasket **S05126** as replacement for O-Ring. See **Supplement E** located at the beginning of this section.

