

# BERKELEY® B1-1/2ZPH

## Cast Iron Impeller

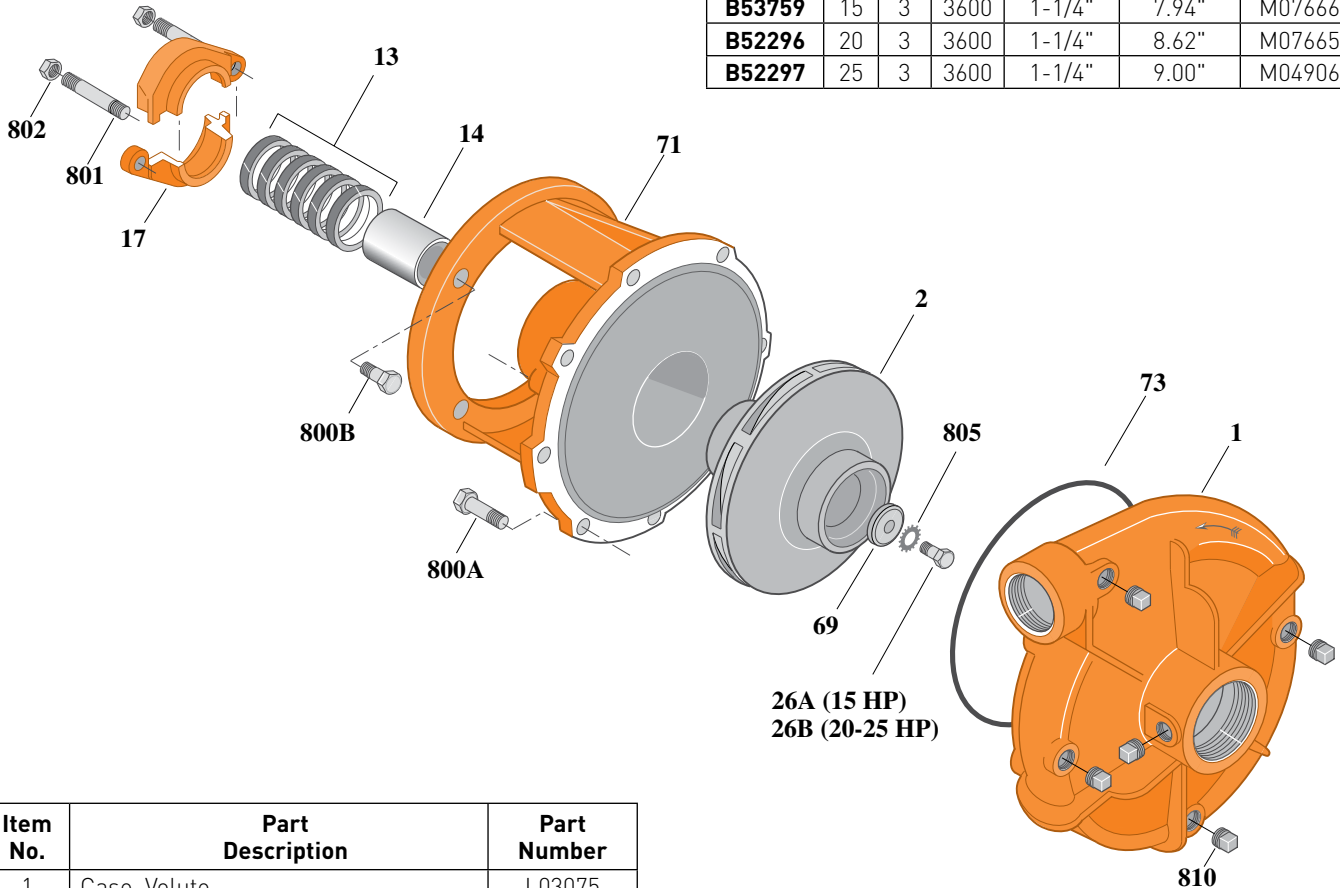
Threaded Case (NPT), Packing Construction

ELECTRIC MOTOR DRIVE

Section	CC
Page	50.1
Date	March 4, 2013
Supersedes 07/01/11	

**Table I**

B/M No.	HP	PH	RPM	"U" Dim.	Imp. Dia.	Imp. No.
B53759	15	3	3600	1-1/4"	7.94"	M07666
B52296	20	3	3600	1-1/4"	8.62"	M07665
B52297	25	3	3600	1-1/4"	9.00"	M04906



Item No.	Part Description	Part Number
1	Case, Volute	L03075
2	Impeller	See Table I
13	Rings, Packing (Set of 6)	S13470
14	Sleeve, Shaft	S05149L
17	Gland, Packing	B82470
26A	Screw, Impeller 1/2 - 13 x 1-1/2"	S23623
26B	Screw, Impeller 1/2 - 13 x 1-1/4"	S23621
32	Key, 1/4 x 2-1/4" (See Note 1)	S23677
69	Washer, Impeller	S06319
71	Bracket	See Table II
73	O-Ring (See Note 2)	M14943
800A	Capscrew, 3/8 - 16 x 1-1/8" [8 Req.]	S26827
800B	Capscrew, 1/2 - 13 x 1-1/2" [4 Req.]	S26916
801	Stud, 3/8 - 16 x 4" [2 Req.]	S08303
802	Nut, Hex 3/8 - 16 [2 Req.]	S23343
805	Washer, Lock	S23038
810	Plug, Pipe 1/4 NPT [5 Req.]	S23715

**Table II**

HP	PH	Bracket No.	"AK" Fit	"U" Dim.	Motor Frame
15	3	L03827	8-1/2"	1-1/4"	215JP
20	3	L03827	8-1/2"	1-1/4"	254JP
25	3	L03827	8-1/2 "	1-1/4"	256JP

**NOTE 1:** For an explanation of the tabulated material found on this page and for impeller key location, refer to **Supplement A** located at the beginning of this section.

**NOTE 2:** Also accepts gasket **S05126** as replacement for O-Ring. See **Supplement E** located at the beginning of this section.



# BERKELEY® B1-1/2ZPHS

## Cast Iron Impeller

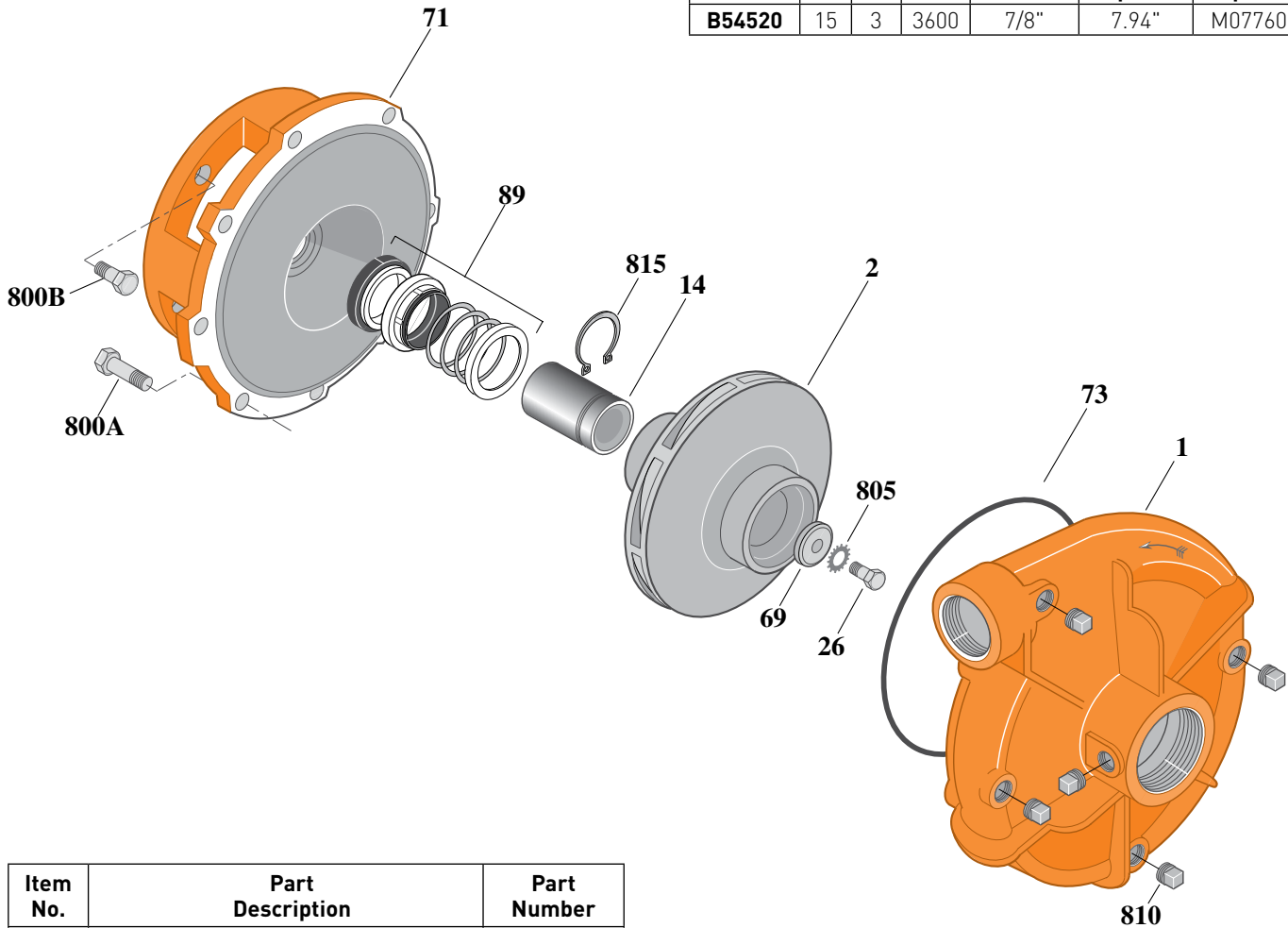
Threaded Case (NPT), Mechanical Shaft Seal Construction

### ELECTRIC MOTOR DRIVE

Section	CC
Page	50.2
Date	March 4, 2013
Supersedes 07/01/11	

**Table I**

B/M No.	HP	PH	RPM	"U" Dim.	Imp. Dia.	Imp. No.
B54520	15	3	3600	7/8"	7.94"	M07760



1496 1210

Item No.	Part Description	Part Number
1	Case, Volute	L03075
2	Impeller	See Table I
14	Sleeve, Shaft	S19310L
26	Screw, Impeller 3/8 - 16 x 1"	S23566
32	Key, 3/16 x 1-1/4" [See Note 1]	S34383
69	Washer, Impeller	S06314
71	Bracket	See Table II
73	O-Ring [See Note 2]	M14943
89	Seal, Mechanical Shaft	S32014
800A	Capscrew, 3/8 - 16 x 1-1/8" [8 Req.]	S26827
800B	Capscrew, 1/2 - 13 x 1" [4 Req.]	S26912
805	Washer, Lock	S23036
810	Plug, Pipe 1/4 NPT [5 Req.]	S23715
815	Ring, Retaining	S11207

**Table II**

HP	PH	Bracket No.	"AK" Fit	"U" Dim.	Motor Frame
15	3	L05331	8-1/2"	7/8"	215JM

**NOTE 1:** For an explanation of the tabulated material found on this page and for impeller key location, refer to **Supplement A** located at the beginning of this section.

**NOTE 2:** Also accepts gasket **S05126** as replacement for O-Ring. See **Supplement E** located at the beginning of this section.



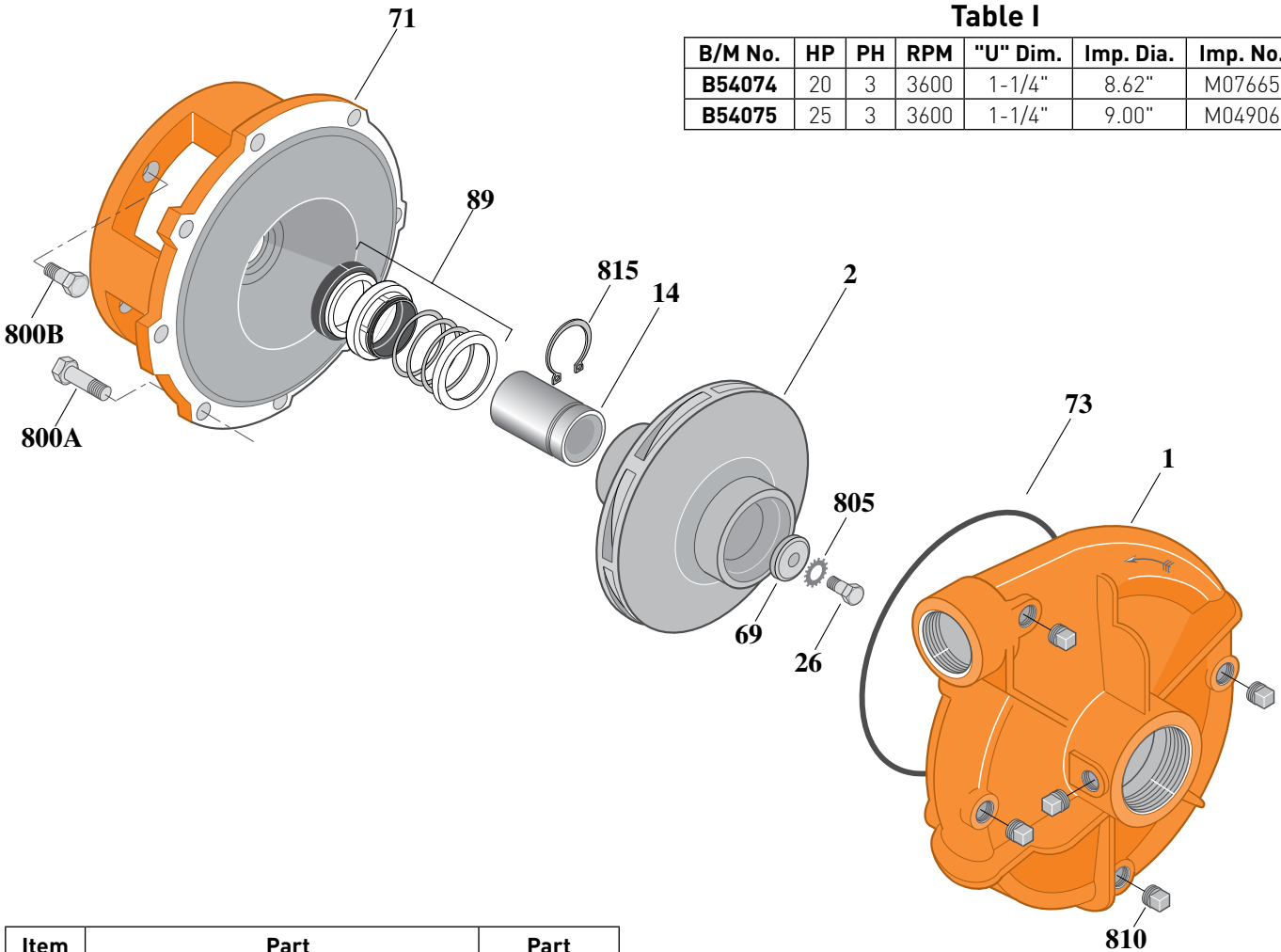
# BERKELEY® B1-1/2ZPHS

## Cast Iron Impeller

Threaded Case (NPT), Mechanical Shaft Seal Construction

### ELECTRIC MOTOR DRIVE

Section	CC
Page	50.3
Date	March 4, 2013
Supersedes 07/01/11	



**Table I**

B/M No.	HP	PH	RPM	"U" Dim.	Imp. Dia.	Imp. No.
B54074	20	3	3600	1-1/4"	8.62"	M07665
B54075	25	3	3600	1-1/4"	9.00"	M04906

Item No.	Part Description	Part Number
1	Case, Volute	L03075
2	Impeller	See Table I
14	Sleeve, Shaft	S18869L
26	Screw, Impeller 1/2 - 13 x 1-1/4"	S23621
32	Key, 1/4 x 2-1/4" [See Note 1]	S23677
69	Washer, Impeller	S06319
71	Bracket	See Table II
73	O-Ring [See Note 2]	M14943
89	Seal, Mechanical Shaft	S32015
800A	Capscrew, 3/8 - 16 x 1-1/8" [8 Req.]	S26827
800B	Capscrew, 1/2 - 13 x 1" [4 Req.]	S26912
805	Washer, Lock	S23038
810	Plug, Pipe 1/4 NPT [5 Req.]	S23715
815	Ring, Retaining	S16767

**Table II**

HP	PH	Bracket No.	"AK" Fit	"U" Dim.	Motor Frame
20	3	L04615	8-1/2"	1-1/4"	254JM
25	3	L04615	8-1/2"	1-1/4"	256JM

**NOTE 1:** For an explanation of the tabulated material found on this page and for impeller key location, refer to **Supplement A** located at the beginning of this section.

**NOTE 2:** Also accepts gasket **S05126** as replacement for O-Ring. See **Supplement E** located at the beginning of this section.



# BERKELEY® B1-1/2ZPH

## Silicon Bronze Impeller

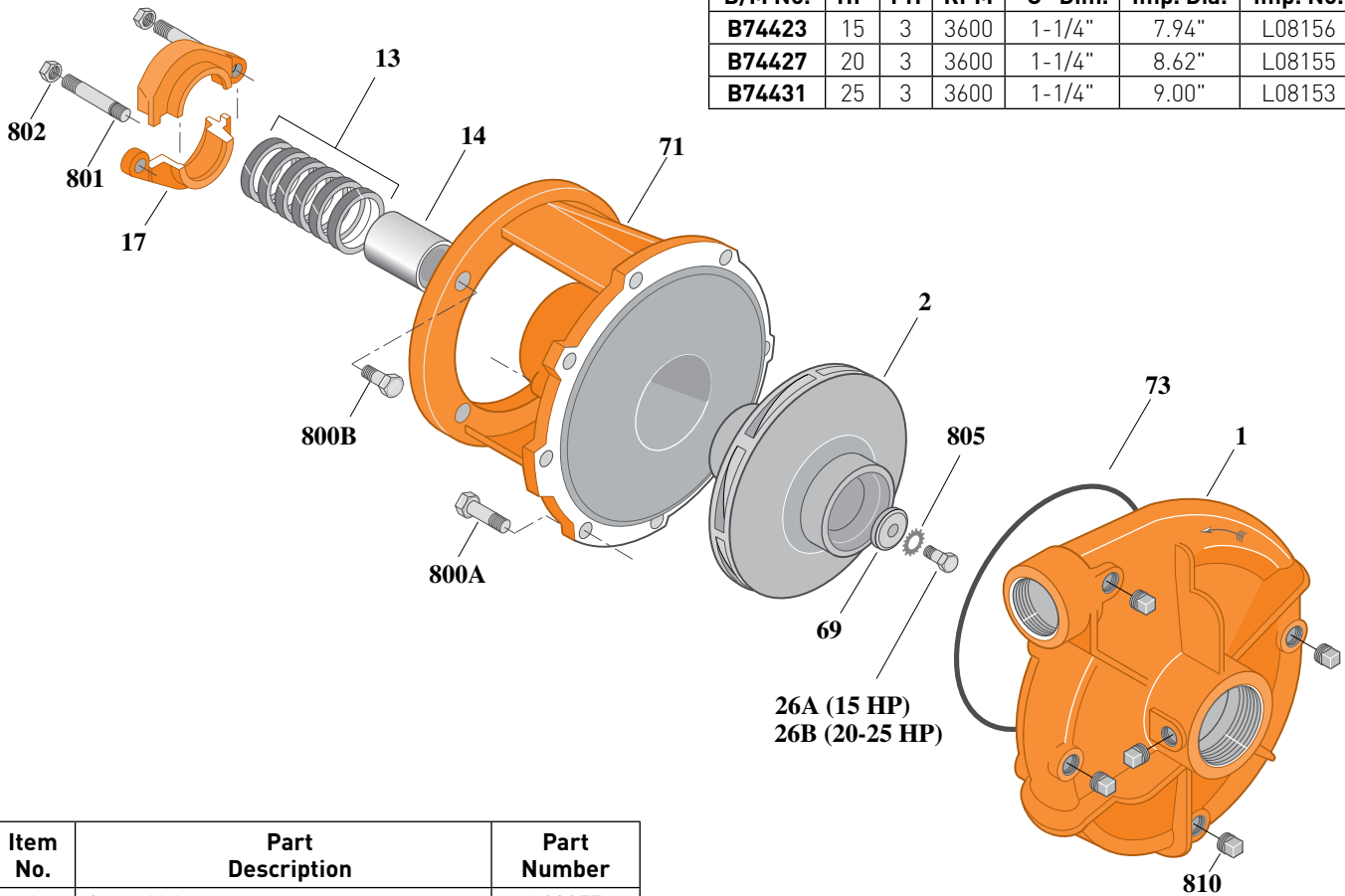
Threaded Case (NPT), Packing Construction

### ELECTRIC MOTOR DRIVE

Section	CC
Page	50.5
Date	March 4, 2013
Supersedes 07/01/11	

**Table I**

B/M No.	HP	PH	RPM	"U" Dim.	Imp. Dia.	Imp. No.
<b>B74423</b>	15	3	3600	1-1/4"	7.94"	L08156
<b>B74427</b>	20	3	3600	1-1/4"	8.62"	L08155
<b>B74431</b>	25	3	3600	1-1/4"	9.00"	L08153



1742 1210

Item No.	Part Description	Part Number
1	Case, Volute	L03075
2	Impeller	See Table I
13	Rings, Packing (Set of 6)	S13470
14	Sleeve, Shaft	S05149L
17	Gland, Packing	B82470
26A	Screw, Impeller 1/2 - 13 x 1-1/2"	S23623
26B	Screw, Impeller 1/2 - 13 x 1-1/4"	S23621
32	Key, 1/4 x 2-1/4" (See Note 1)	S23677
69	Washer, Impeller	S06319
71	Bracket	See Table II
73	O-Ring (See Note 2)	M14943
800A	Capscrew, 3/8 - 16 x 1-1/8" [8 Req.]	S26827
800B	Capscrew, 1/2 - 13 x 1-1/2" [4 Req.]	S26916
801	Stud, 3/8 - 16 x 4" [2 Req.]	S08303
802	Nut, Hex 3/8 - 16 [2 Req.]	S23343
805	Washer, Lock	S23038
810	Plug, Pipe 1/4" NPT [5 Req.]	S23715

**Table II**

HP	PH	Bracket No.	"AK" Fit	"U" Dim.	Motor Frame
15	3	L03827	8-1/2"	1-1/4"	215JP
20	3	L03827	8-1/2"	1-1/4"	254JP
25	3	L03827	8-1/2"	1-1/4"	256JP

**NOTE 1:** For an explanation of the tabulated material found on this page and for impeller key location, refer to **Supplement A** located at the beginning of this section.

**NOTE 2:** Also accepts gasket **S05126** as replacement for O-Ring. See **Supplement E** located at the beginning of this section.



# BERKELEY® B1-1/2ZPHS

## Silicon Bronze Impeller

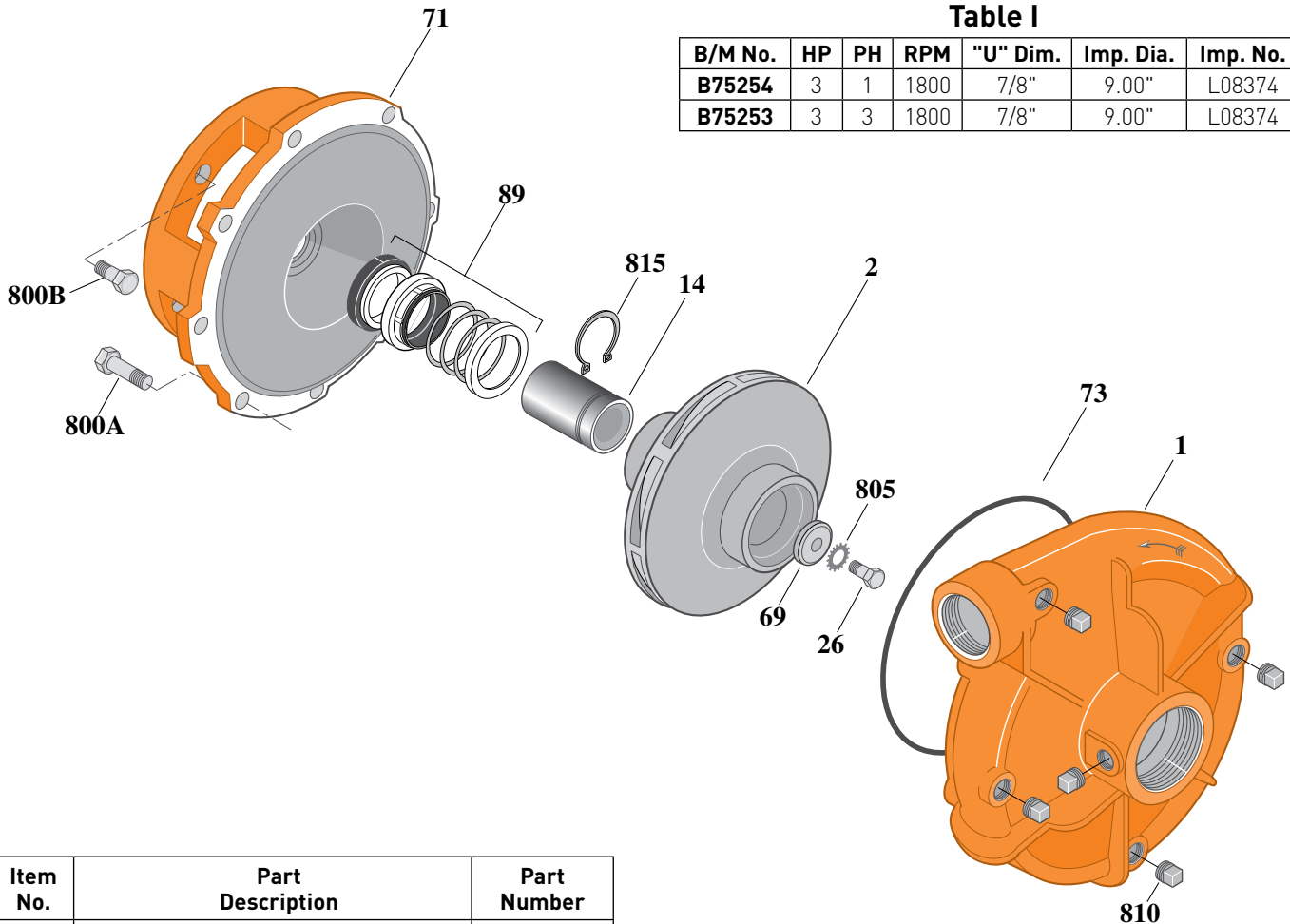
Threaded Case (NPT), Mechanical Shaft Seal Construction

ELECTRIC MOTOR DRIVE

Section	CC
Page	50.6
Date	March 4, 2013
Supersedes 07/01/11	

**Table I**

B/M No.	HP	PH	RPM	"U" Dim.	Imp. Dia.	Imp. No.
B75254	3	1	1800	7/8"	9.00"	L08374
B75253	3	3	1800	7/8"	9.00"	L08374



1496 1210

Item No.	Part Description	Part Number
1	Case, Volute	L03075
2	Impeller	See Table I
14	Sleeve, Shaft	S19310L
26	Screw, Impeller 3/8 - 16 x 1"	S23566
32	Key, 3/16 x 1-1/4" [See Note 1]	S34383
69	Washer, Impeller	S06314
71	Bracket	See Table II
73	O-Ring [See Note 3]	M14943
89	Seal, Mechanical Shaft	S32014
800A	Capscrew, 3/8 - 16 x 1-1/8" [8 Req.]	S26827
800B	Capscrew, 3/8 - 16 x 1" [4 Req.]	S26826
805	Washer, Lock	S23036
810	Plug, Pipe 1/4" NPT [5 Req.]	S23715
815	Ring, Retaining	S11207
•	Plug, Pipe 1/8" NPT (In Bracket)	S23714

• Not illustrated.

**Table II**

HP	PH	Bracket No.	"AK" Fit	"U" Dim.	Motor Frame
3	1	L05332	4-1/2"	7/8"	184JM
3	3	L05332	4-1/2"	7/8"	182JM

**NOTE 1:** For an explanation of the tabulated material found on this page and for impeller key location, refer to **Supplement A** located at the beginning of this section.

**NOTE 2:** For seal flush line details, see **Supplement D**.

**NOTE 3:** Also accepts gasket **S05126** as replacement for O-Ring. See **Supplement E** located at the beginning of this section.



# BERKELEY® B1-1/2ZPHS

## Silicon Bronze Impeller

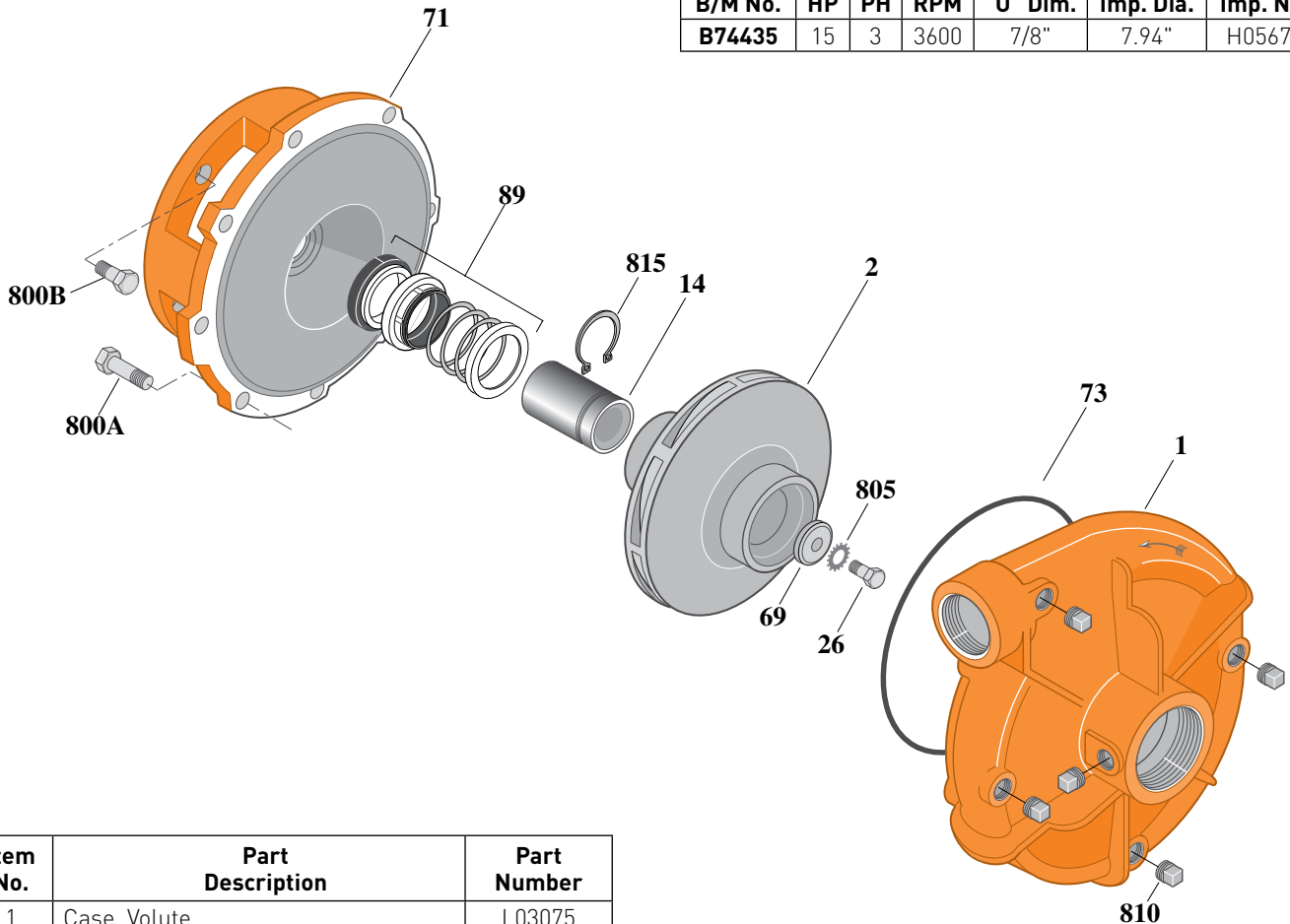
Threaded Case (NPT), Mechanical Shaft Seal Construction

ELECTRIC MOTOR DRIVE

Section	CC
Page	50.7
Date	March 4, 2013
Supersedes 07/01/11	

**Table I**

B/M No.	HP	PH	RPM	"U" Dim.	Imp. Dia.	Imp. No.
B74435	15	3	3600	7/8"	7.94"	H05679



Item No.	Part Description	Part Number
1	Case, Volute	L03075
2	Impeller	See Table I
14	Sleeve, Shaft	S19310L
26	Screw, Impeller 3/8 - 16 x 1"	S23566
32	Key, 3/16 x 1-1/4" [See Note]	S34383
69	Washer, Impeller	S06314
71	Bracket	See Table II
73	Gasket, Volute	S05126
89	Seal, Mechanical Shaft	S32014
800A	Capscrew, 3/8 - 16 x 1-1/8" (8 Req.)	S26827
800B	Capscrew, 1/2 - 13 x 1" (4 Req.)	S26912
805	Washer, Lock	S23036
810	Plug, Pipe 1/4" NPT (5 Req.)	S23715
815	Ring, Retaining	S11207
•	Plug, Pipe 1/8" NPT (In Bracket)	S23714

• Not illustrated.

**Table II**

HP	PH	Bracket No.	"AK" Fit	"U" Dim.	Motor Frame
15	3	L05331	8-1/2"	7/8"	215JM

**NOTE 1:** For an explanation of the tabulated material found on this page and for impeller key location, refer to **Supplement A** located at the beginning of this section.

**NOTE 2:** For seal flush line details, see **Supplement D**.

**NOTE 3:** Also accepts gasket **S05126** as replacement for O-Ring. See **Supplement E** located at the beginning of this section.



# BERKELEY® B1-1/2ZPHS

## Silicon Bronze Impeller

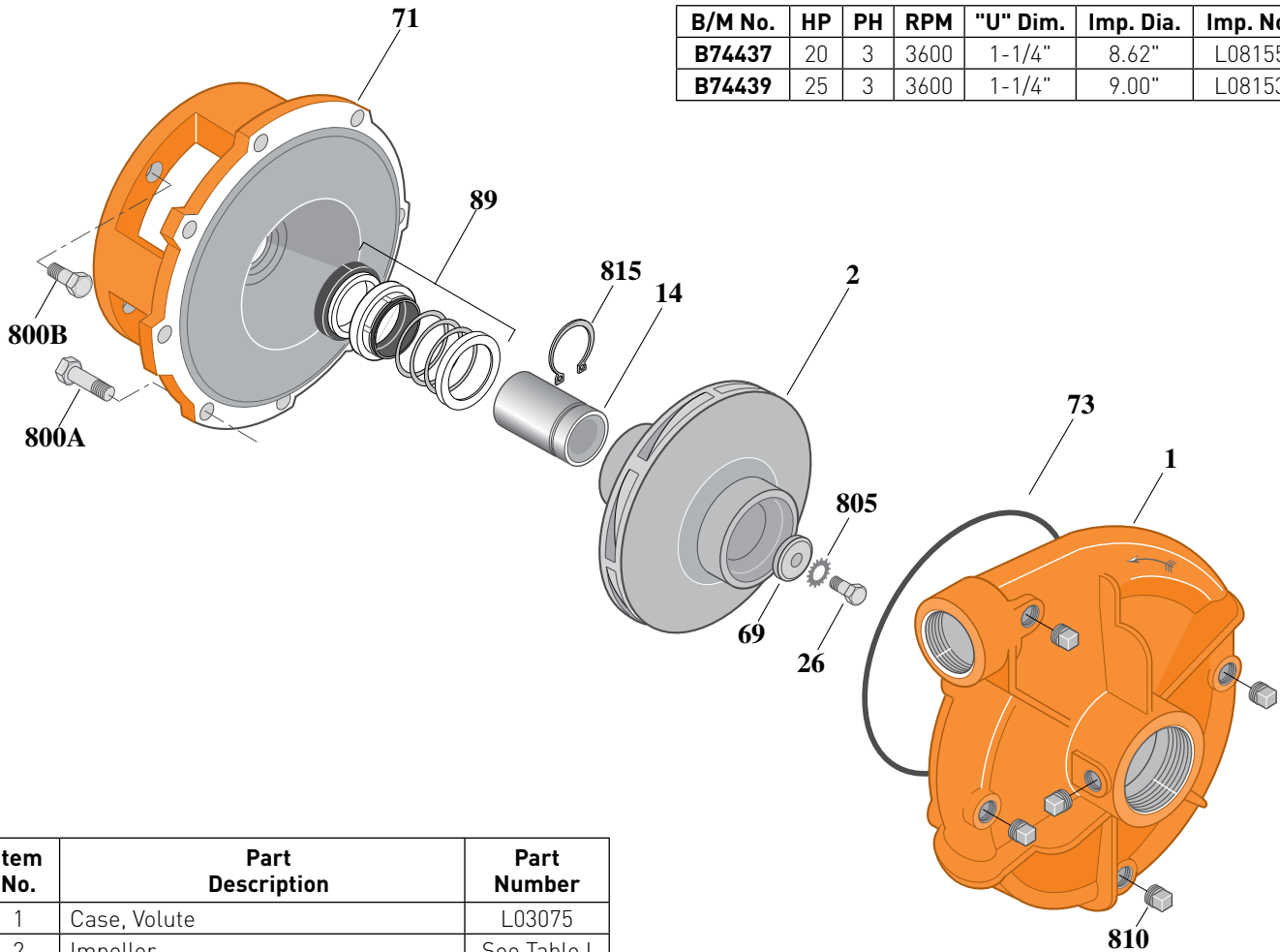
Threaded Case (NPT), Mechanical Shaft Seal Construction

ELECTRIC MOTOR DRIVE

Section	CC
Page	50.8
Date	March 4, 2013
Supersedes 07/01/11	

**Table I**

B/M No.	HP	PH	RPM	"U" Dim.	Imp. Dia.	Imp. No.
<b>B74437</b>	20	3	3600	1-1/4"	8.62"	L08155
<b>B74439</b>	25	3	3600	1-1/4"	9.00"	L08153



Item No.	Part Description	Part Number
1	Case, Volute	L03075
2	Impeller	See Table I
14	Sleeve, Shaft	S18869L
26	Screw, Impeller 1/2 - 13 x 1-1/4"	S23621
32	Key, 1/4 x 2-1/4" (See Note 1)	S23677
69	Washer, Impeller	S06319
71	Bracket	See Table II
73	O-Ring (See Note 3)	M14943
89	Seal, Mechanical Shaft	S32015
800A	Capscrew, 3/8 - 16 x 1-1/8" (8 Req.)	S26827
800B	Capscrew, 1/2 - 13 x 1" (4 Req.)	S26912
805	Washer, Lock	S23038
810	Plug, Pipe 1/4" NPT (5 Req.)	S23715
815	Ring, Retaining	S16767
•	Plug, Pipe 1/8" NPT (In Bracket)	S23714

• Not illustrated.

**Table II**

HP	PH	Bracket No.	"AK" Fit	"U" Dim.	Motor Frame
20	3	L04615	8-1/2"	1-1/4"	254JM
25	3	L04615	8-1/2"	1-1/4"	256JM

**NOTE 1:** For an explanation of the tabulated material found on this page and for impeller key location, refer to **Supplement A** located at the beginning of this section.

**NOTE 2:** For seal flush line details, see **Supplement D**.

**NOTE 3:** Also accepts gasket **S05126** as replacement for O-Ring. See **Supplement E** located at the beginning of this section.

