

BERKELEY® B1-1/2XPBS

HIGH PRESSURE MOTOR DRIVE

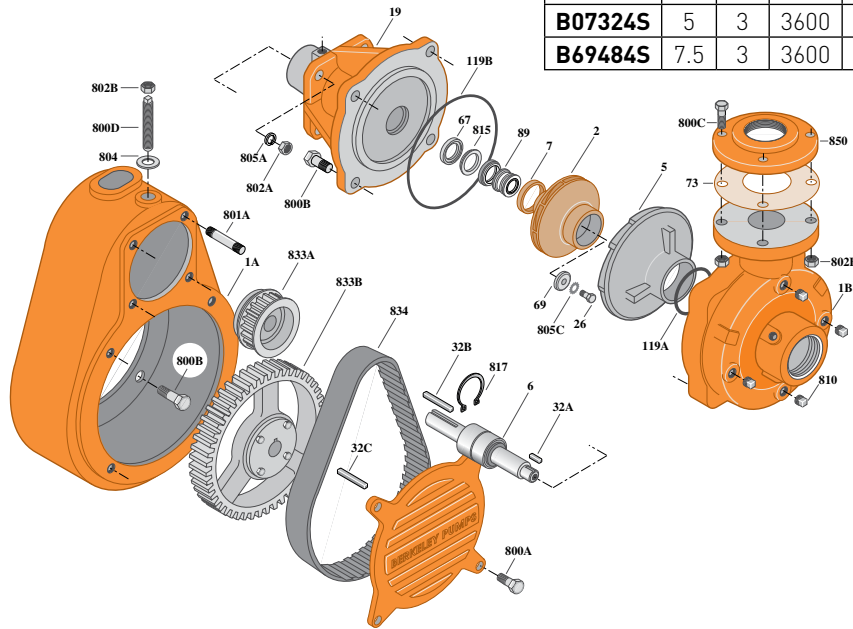
Bronze Impeller

Threaded Case (NPT), Mechanical Seal Construction

Section	CC/HP
Page	10.1
Date	March 4, 2013
Supersedes 01/01/04	

Table I

B/M No.	HP	PH	RPM	Impeller No.	Bearing Housing	Sprocket
B07323S	5	1	3600	M10892	M04520	S12693
B07324S	5	3	3600	M10892	M04520	S12693
B69484S	7.5	3	3600	M10893	M04520	S12693



Item No.	Part Description	Part Number
1A	Case, Drive	L03332
1B	Case, Volute	L03030
2	Impeller	See Table I
5	Diffuser	L07986
6	Shaft and Bearing Assembly	S12863
7	Ring, Wear	S03314
9	Cover, Drive Case	M04689
19	Housing, Bearing	See Table I
26	Screw, Impeller 1/4 - 20 x 1"	S23512
32A	Key, 3/16 x 3/4"	U65-2SS
32B	Key, 3/16 x 1-3/4"	S24153
32C	Key, 5/16 x 2"	S24240
67	Spacer, Impeller	S00512
69	Washer, Impeller	S16745
73	Gasket, Flange	S10361
89	Seal, Mechanical Shaft	S22380
119A	Quadring	S13933
119B	O-Ring	S13932
800A	Capscrew, 3/8 - 16 x 1" [4 Req.]	S26826

Item No.	Part Description	Part Number
800B	Capscrew, 1/2 - 13 x 1-1/4" [8 Req.]	S26914
800C	Capscrew, 1/2 - 13 x 2" [4 Req.]	S26920
800D	Screw, Set 1/2 - 13 x 3"	S32407
801	Stud, 3/8 - 16 x 1-1/4" [4 Req.]	S23994
802A	Nut, Hex 3/8-16 [4 Req.]	S23103
802B	Nut, Hex 1/2-13 [5 Req.]	S23107
804A	Washer, Flat 1/2 ID x 1-1/16 OD	S23052
805A	Washer, Lock, 3/8 [8 Req.]	S23076
805B	Washer, Lock, 1/2 [4 Req.]	S23091
805C	Washer, Lock, External Tooth	S23034
810	Plug, Pipe 1/4 NPT [7 Req.]	S23715
815	Ring, Seal Retaining	S11894
817	Ring, Retaining, Internal	S23022
833A	Sprocket, Timing Belt	S12694
833B	Sprocket, Timing Belt	See Table I
834	Timing Belt	S12691
850	Flange, Companion	S11785
•	Tubing, 3/8	S22480
•	Connector, Tubing [2 Req.]	S24017

• Not illustrated.



BERKELEY® B1-1/2XPBS

HIGH PRESSURE MOTOR DRIVE

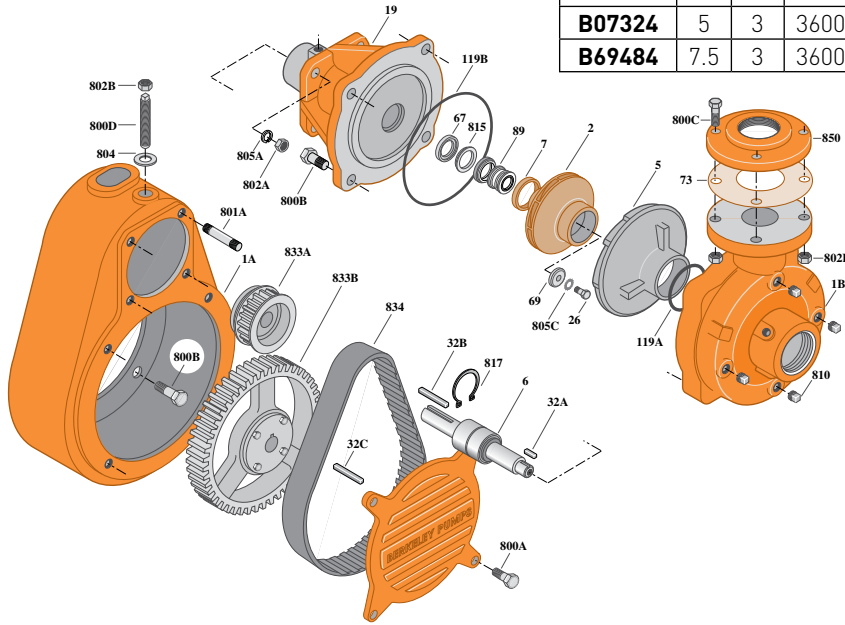
Brass Impeller

Threaded Case (NPT), Mechanical Seal Construction

Section	CC/HP
Page	10.2
Date	March 4, 2013
Supersedes 01/01/04	

Table I

B/M No.	HP	PH	RPM	Impeller No.	Bearing Housing	Sprocket
B07323	5	1	3600	M09991	M04520	S12693
B07324	5	3	3600	M09991	M04520	S12693
B69484	7.5	3	3600	M09990	M04520	S12693



Item No.	Part Description	Part Number
1A	Case, Drive	L03332
1B	Case, Volute	L03030
2	Impeller	See Table I
5	Diffuser	L03112
6	Shaft and Bearing Assembly	S12863
7	Ring, Wear	S03314
9	Cover, Drive Case	M04689
19	Housing, Bearing	See Table I
26	Screw, Impeller 1/4 - 20 x 1"	S23512
32A	Key, 3/16 x 3/4"	U65-2SS
32B	Key, 3/16 x 1-3/4"	S24153
32C	Key, 5/16 x 2"	S24240
67	Spacer, Impeller	S00512
69	Washer, Impeller	S16745
73	Gasket, Flange	S10361
89	Seal, Mechanical Shaft	S22380
119A	Quadring	S13933
119B	O-Ring	S13932
800A	Capscrew, 3/8 - 16 x 1" [4 Req.]	S26826

Item No.	Part Description	Part Number
800B	Capscrew, 1/2 - 13 x 1-1/4" (8 Req.)	S26914
800C	Capscrew, 1/2 - 13 x 2" (4 Req.)	S26920
800D	Screw, Set 1/2 - 13 x 3"	S32407
801	Stud, 3/8 - 16 x 1-1/4" (4 Req.)	S23994
802A	Nut, Hex 3/8-16 (4 Req.)	S23103
802B	Nut, Hex 1/2-13 (5 Req.)	S23107
804A	Washer, Flat 1/2 ID x 1-1/16 OD	S23052
805A	Washer, Lock, 3/8 (8 Req.)	S23076
805B	Washer, Lock, 1/2 (4 Req.)	S23091
805C	Washer, Lock, External Tooth	S23034
810	Plug, Pipe 1/4 NPT (7 Req.)	S23715
815	Ring, Seal Retaining	S11894
817	Ring, Retaining, Internal	S23022
833A	Sprocket, Timing Belt	S12694
833B	Sprocket, Timing Belt	See Table I
834	Timing Belt	S12691
850	Flange, Companion	S11785
•	Tubing, 3/8	S22480
•	Connector, Tubing [2 Req.]	S24017

• Not illustrated.

