

# BERKELEY® B1-1/2WP2S

## Silicon Bronze Impeller

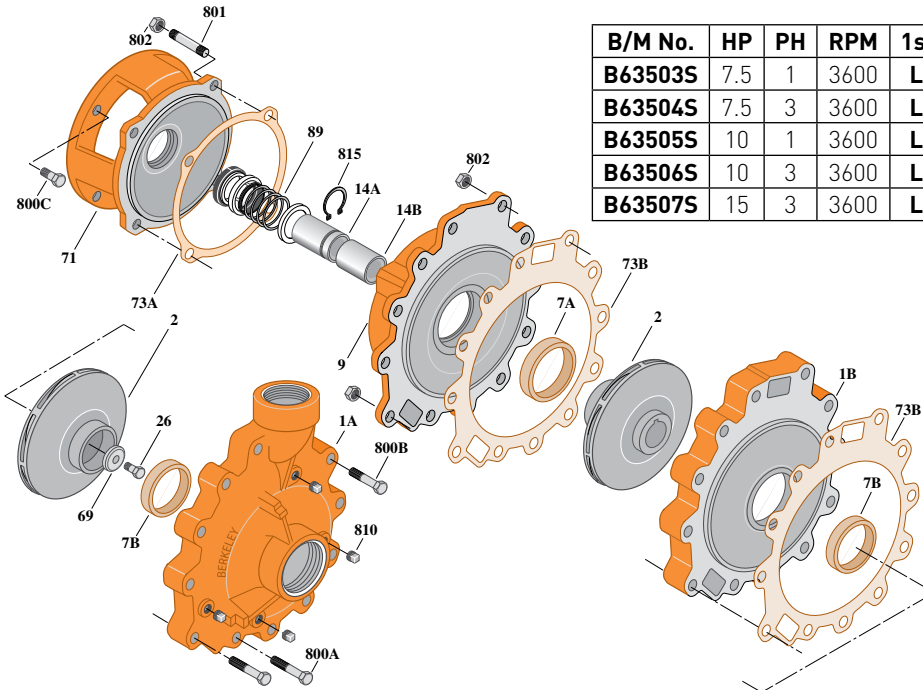
Threaded Case (NPT), Mechanical Seal Construction

ELECTRIC MOTOR DRIVE

Section	CC/2S
Page	10.1
Date	March 4, 2013
Supersedes 01/01/04	

**Table I**

B/M No.	HP	PH	RPM	1st Stage Imp. No.	2nd Stage Imp. No.
B63503S	7.5	1	3600	L07984 CW 6.44"	L07983 CCW 6.44"
B63504S	7.5	3	3600	L07984 CW 6.44"	L07983 CCW 6.44"
B63505S	10	1	3600	L07979 CW 6.94"	L07980 CCW 6.94"
B63506S	10	3	3600	L07979 CW 6.94"	L07980 CCW 6.94"
B63507S	15	3	3600	L07981 CW 7.44"	L07982 CCW 7.44"



2558 0796

Item No.	Part Description	Part Number
1A	Case, Volute, 1st Stage	L04460
1B	Case, Volute, 2nd Stage	L04464
2	Impeller	See Table I
7A	Ring, Wear	S29274
7B	Ring, Wear [2 Req.]	S29273
9	Cover, Suction, 2nd Stage	L04468
14A	Sleeve, Shaft	S19310L
14B	Sleeve, Shaft	S00619
26	Screw, Impeller	S23566
32	Key, 3/16 x 1-1/4" [See Note]	S34383
69	Washer, Impeller	S06314
71	Bracket	See Table II
73A	Gasket, Bracket [As Required]	S04757
73B	Gasket, 1st & 2nd Stage [2 Req.]	L05525
89	Seal, Mechanical Shaft	S32014
800A	Capscrew, 1/2 - 13 x 5" [2 Req.]	S26930
800B	Capscrew, 1/2 - 13 x 3-1/2" [10 Req.]	S26926
800C	Capscrew, 1/2 - 13 x 1" [4 Req.]	S26912
801	Stud, 1/2 - 13 x 1-1/2" [4 Req.]	S24043
802	Nut, Hex 1/2 - 13 [16 Req.]	S23107
810	Plug, Pipe 1/8 NPT [4 Req.]	S23714
815	Ring, Retaining, External	S11207

**Table II**

HP	PH	Bracket No.	"AK" Fit	"U" Dim.	Motor Frame
7.5	1	L04428	8-1/2"	7/8"	213TCZ
7.5	3	L04428	8-1/2"	7/8"	184TCZ
10	1	L04428	8-1/2"	7/8"	215TCZ
10	3	L04428	8-1/2"	7/8"	213TCZ
15	3	L04428	8-1/2"	7/8"	215TCZ

**NOTE:** For an explanation of the tabulated material found on this page and for impeller key location, refer to **Supplement A** located at the beginning of section **CC**.



# BERKELEY® B1-1/2WP2S

ELECTRIC MOTOR DRIVE

## Bronze Impeller

Threaded Case (NPT), Mechanical Seal Construction

Section	CC/2S
Page	10.2
Date	March 4, 2013
Supersedes 01/01/04	

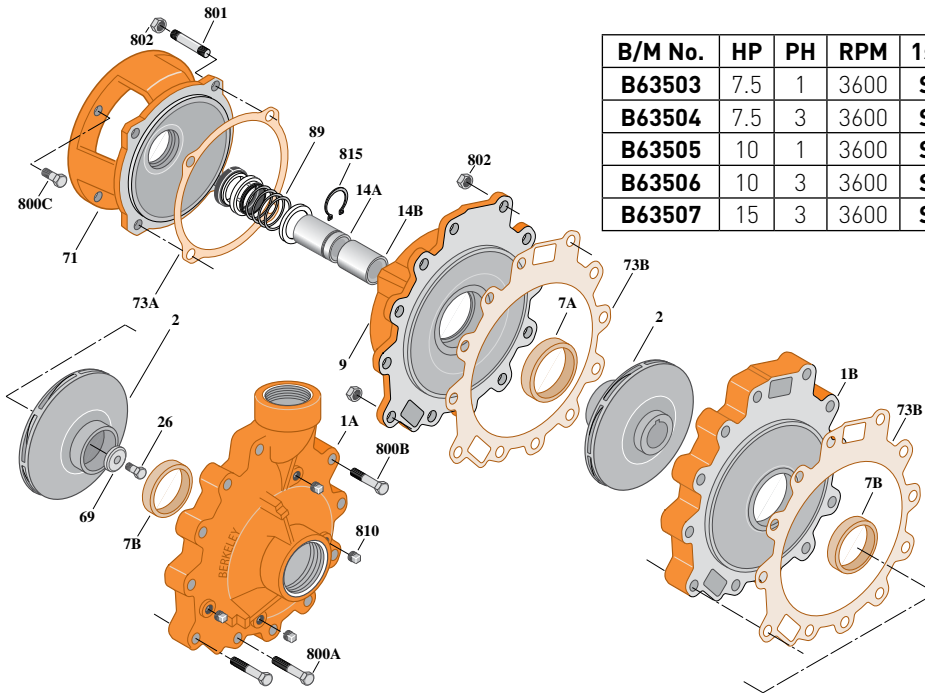


Table I

B/M No.	HP	PH	RPM	1st Stage Imp. No.	2nd Stage Imp. No.
B63503	7.5	1	3600	S39854 CW 6.44"	S39858 CCW 6.44"
B63504	7.5	3	3600	S39854 CW 6.44"	S39858 CCW 6.44"
B63505	10	1	3600	S39856 CW 6.94"	S39860 CCW 6.94"
B63506	10	3	3600	S39856 CW 6.94"	S39860 CCW 6.94"
B63507	15	3	3600	S39857 CW 7.44"	S39861 CCW 7.44"

Item No.	Part Description	Part Number
1A	Case, Volute, 1st Stage	L04460
1B	Case, Volute, 2nd Stage	L04464
2	Impeller	See Table I
7A	Ring, Wear	S29274
7B	Ring, Wear [2 Req.]	S29273
9	Cover, Suction, 2nd Stage	L04468
14A	Sleeve, Shaft	S19310L
14B	Sleeve, Shaft	S00619
26	Screw, Impeller	S23566
32	Key, 3/16 x 1-1/4" [See Note]	S34383
69	Washer, Impeller	S06314
71	Bracket	See Table II
73A	Gasket, Bracket [As Required]	S04757
73B	Gasket, 1st & 2nd Stage [2 Req.]	L05525
89	Seal, Mechanical Shaft	S32014
800A	Capscrew, 1/2 - 13 x 5" [2 Req.]	S26930
800B	Capscrew, 1/2 - 13 x 3-1/2" [10 Req.]	S26926
800C	Capscrew, 1/2 - 13 x 1" [4 Req.]	S26912
801	Stud, 1/2 - 13 x 1-1/2" [4 Req.]	S24043
802	Nut, Hex 1/2 - 13 [16 Req.]	S23107
810	Plug, Pipe 1/8 NPT [4 Req.]	S23714
815	Ring, Retaining, External	S11207

Table II

HP	PH	Bracket No.	"AK" Fit	"U" Dim.	Motor Frame
7.5	1	L04428	8-1/2"	7/8"	213TCZ
7.5	3	L04428	8-1/2"	7/8"	184TCZ
10	1	L04428	8-1/2"	7/8"	215TCZ
10	3	L04428	8-1/2"	7/8"	213TCZ
15	3	L04428	8-1/2"	7/8"	215TCZ

**NOTE:** For an explanation of the tabulated material found on this page and for impeller key location, refer to **Supplement A** located at the beginning of section **CC**.

