

# BERKELEY® B1-1/2TQMS-9

AIR COOLED ENGINE DRIVE

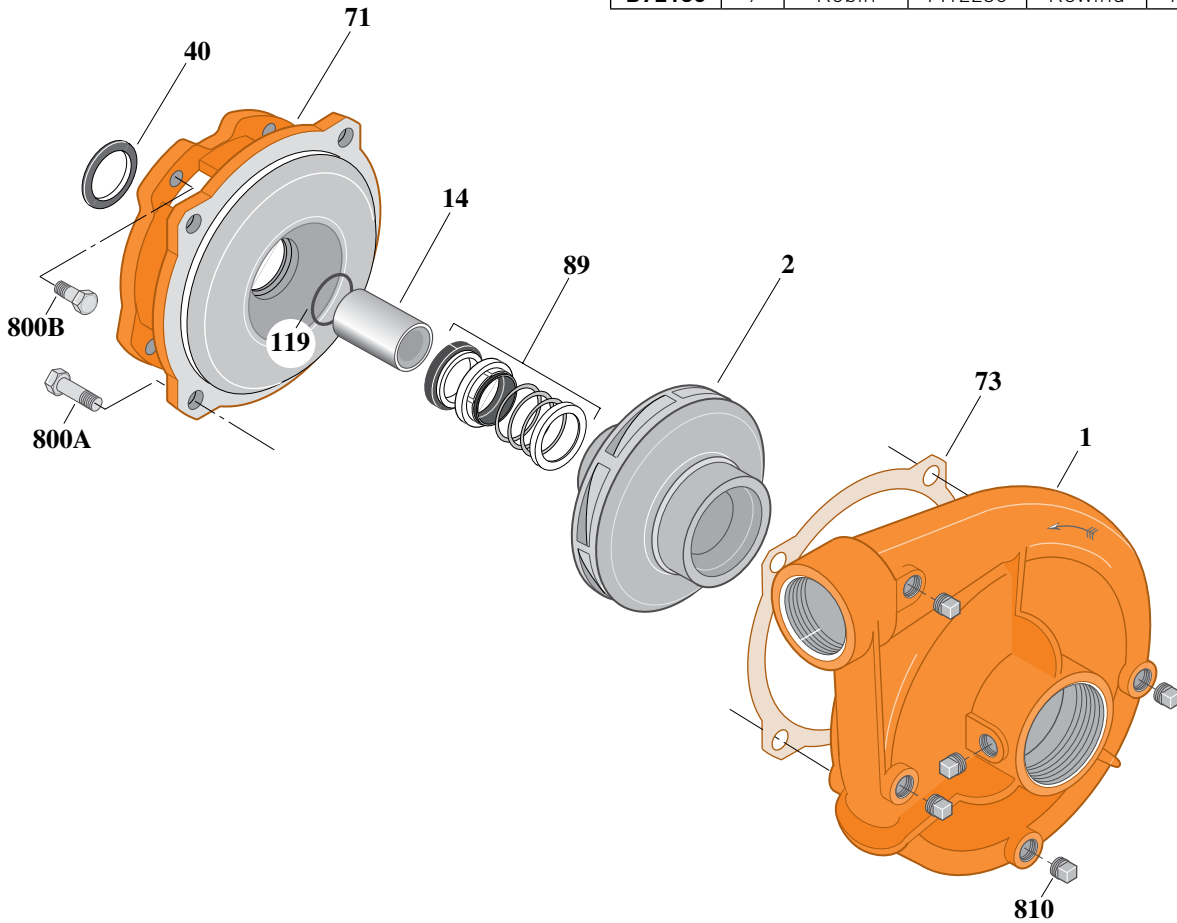
## Cast Iron Impeller

Threaded Case (NPT), Mechanical Seal Construction

Section	AC
Page	30.1
Date	March 4, 2013
Supersedes 01/01/04	

**Table I**

B/M No.	HP	Engine Mfr.	Engine Part No.	Engine Starter	Base Part No.
B72136	9	Robin	M12230	Rewind	M12393



Item No.	Part Description	Part Number
1	Case, Volute	L01018
2	Impeller	L07510
14	Sleeve, Shaft	M10731
40	Slinger, Water	S03893
71	Bracket	L01600
73	Gasket	S04757
89	Seal, Mechanical Shaft	S32014
119	O-Ring	M10728
800A	Cap screw, Hex 1/2-13x1" (4 Req.)	S26912
800B	Cap screw, Hex 3/8-16x1" (4 Req.)	S26826
810	Plug, Pipe 1/4 NPT (4 Req.)	S23715

**NOTE:** Refer to **Supplement A** for base configuration and mounting hardware.

