

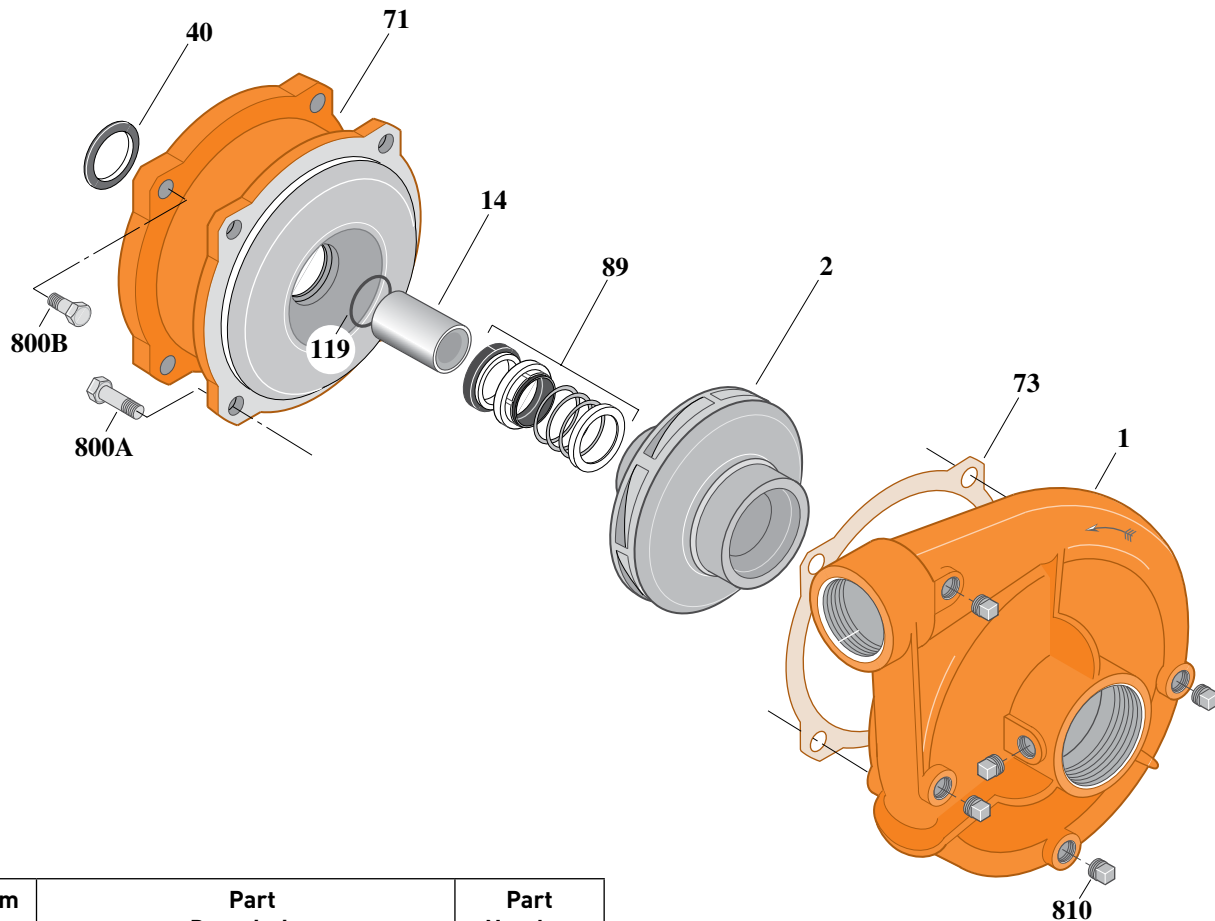
BERKELEY® B1-1/2TQMS-11 AIR COOLED ENGINE DRIVE Cast Iron Impeller

Threaded Case (NPT), Mechanical Seal Construction

Section	AC
Page	40.1
Date	March 4, 2013
Supersedes 01/01/04	

Table I

B/M No.	HP	Engine Mfr.	Engine Part No.	Engine Starter	Base Part No.
B72599	11	Robin	H05504	Electric	H05766



Item No.	Part Description	Part Number
1	Case, Volute	L01018
2	Impeller	L07985
14	Sleeve, Shaft	M10731
40	Slinger, Water	S03893
71	Bracket	L01600
73	Gasket	S04757
89	Seal, Mechanical Shaft	S32014
119	O-Ring	M10728
800A	Cap screw, Hex 1/2-13x1" (4 Req.)	S26912
800B	Cap screw, Hex 3/8-16x1" (4 Req.)	S26826
810	Plug, Pipe 1/4 NPT (4 Req.)	S23715

NOTE: Refer to **Supplement A** for base configuration and mounting hardware.



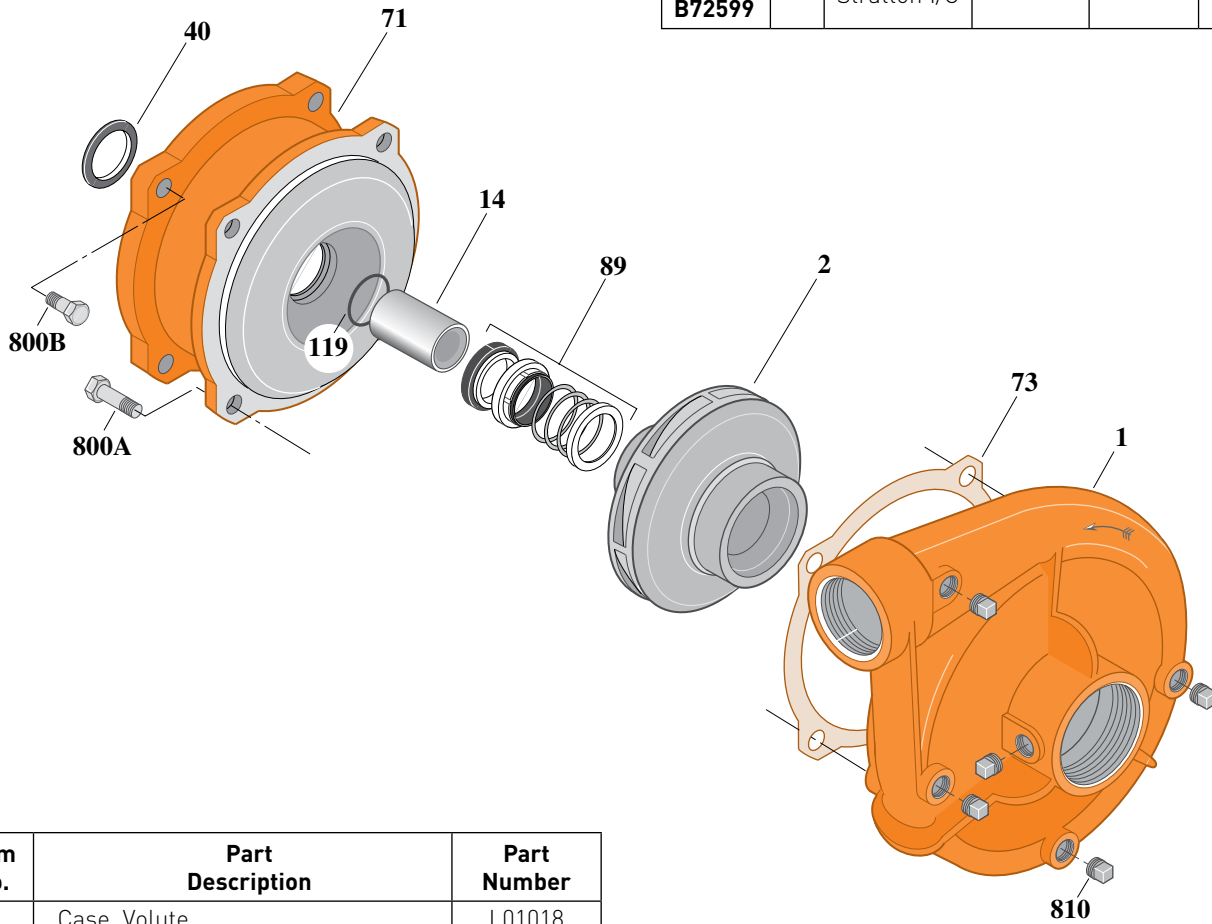
BERKELEY® B1-1/2TQMS-10 AIR COOLED ENGINE DRIVE Silicon Bronze Impeller

Threaded Case (NPT), Mechanical Seal Construction

Section	AC
Page	40.3
Date	March 4, 2013
Supersedes 09/01/97	

Table I

B/M No.	HP	Engine Mfr.	Engine Part No.	Engine Starter	Base Part No.
B72598	10	Briggs & Stratton I/C	H05503	Rewind	Unmount
B72597					H05766
B72600	10	Briggs & Stratton I/C	H05504	Electric	Unmount
B72599					H05766



Item No.	Part Description	Part Number
1	Case, Volute	L01018
2	Impeller	L07985
14	Sleeve, Shaft	M10731
40	Slinger, Water	S03893
71	Bracket	L01600
73	Gasket	S04757
89	Seal, Mechanical Shaft	S32014
119	O-Ring	M10728
800A	Cap screw, Hex 1/2-13x1" (4 Req.)	S26912
800B	Cap screw, Hex 3/8-16x1" (4 Req.)	S26826
810	Plug, Pipe 1/4 NPT (4 Req.)	S23715

NOTE: Refer to **Supplement A** for base configuration and mounting hardware.

