

# BERKELEY® B1-1/2TPM

## Cast Iron Impeller

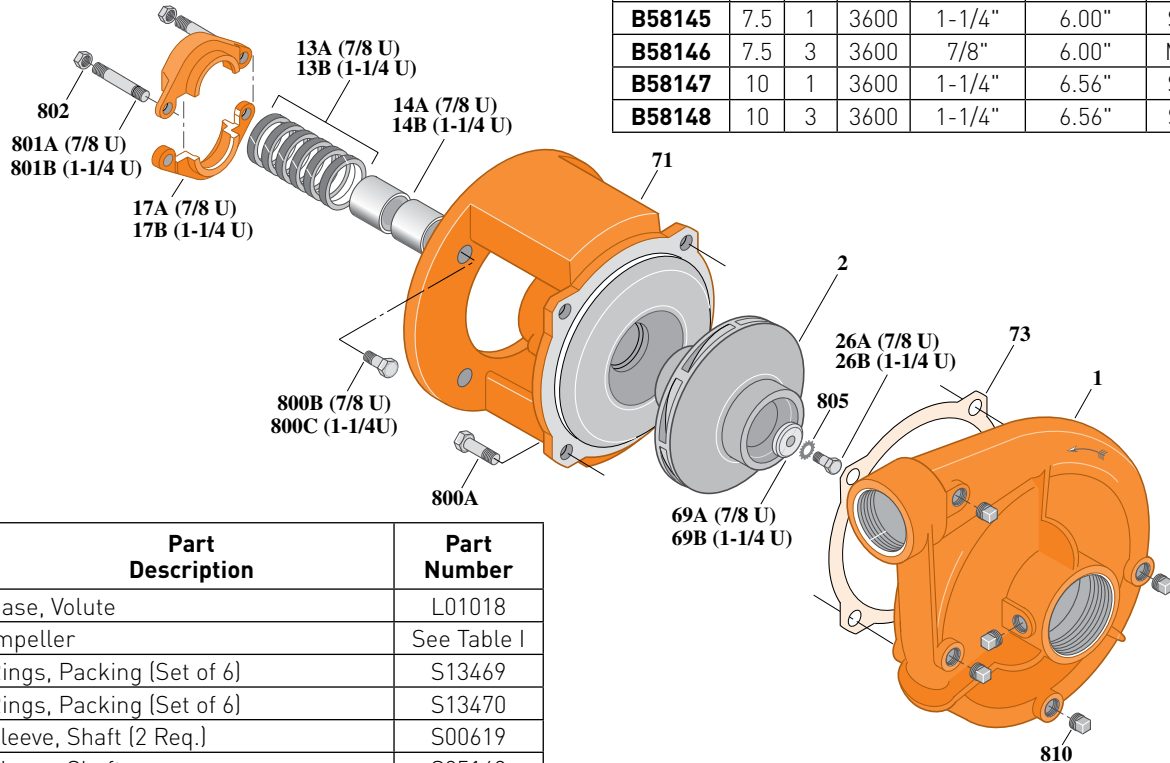
Threaded Case (NPT), Packing Construction

## ELECTRIC MOTOR DRIVE

Section	CC
Page	30.1
Date	March 4, 2013
Supersedes 01/01/04	

**Table I**

B/M No.	HP	PH	RPM	"U" Dim.	Imp. Dia.	Imp. No.
B58143	5	1	3600	7/8"	5.50"	M07637
B58144	5	3	3600	7/8"	5.50"	M07637
B58145	7.5	1	3600	1-1/4"	6.00"	S34238
B58146	7.5	3	3600	7/8"	6.00"	M07638
B58147	10	1	3600	1-1/4"	6.56"	S32401
B58148	10	3	3600	1-1/4"	6.56"	S32401



1719 0495

Item No.	Part Description	Part Number
1	Case, Volute	L01018
2	Impeller	See Table I
13A	Rings, Packing [Set of 6]	S13469
13B	Rings, Packing [Set of 6]	S13470
14A	Sleeve, Shaft [2 Req.]	S00619
14B	Sleeve, Shaft	S05149
17A	Gland, Packing	B82469
17B	Gland, Packing	B82470
26A	Screw, Impeller, 3/8 - 16 x 1"	S23566
26B	Screw, Impeller 1/2 - 13 x 1"	S23619
32A	Key, 3/16 x 1-1/4" [See Note]	S34383
32B	Key, 1/4 x 2-1/4" [See Note]	S23677
69A	Washer, Impeller	S16239
69B	Washer, Impeller	S06317
71	Bracket	See Table II
73	Gasket, Volute	S04757
800A	Capscrew, 1/2 - 13 x 1" [4 Req.]	S26912
800B	Capscrew, 1/2 - 13 x 1" [8 Req.]	S26912
800C	Capscrew, 3/8 - 16 x 7/8" [4 Req.]	S26825
801A	Stud, 3/8 - 16 x 4" [2 Req.]	S08303
801B	Stud, 3/8 - 16 x 3-1/2" [2 Req.]	S04441
802	Nut, Hex 3/8 - 16 [2 Req.]	S23343
805	Washer, Lock	S23038
810	Plug, Pipe 1/4 NPT [5 Req.]	S23715

**Table II**

HP	PH	Bracket No.	"AK" Fit	"U" Dim.	Motor Frame
5	1	L01525	4-1/2"	7/8"	184JP
5	3	L01525	4-1/2"	7/8"	182JP
7.5	1	L01951	8-1/2"	1-1/4"	213JP
7.5	3	L01525	4-1/2"	7/8"	184JP
10	1	L01951	8-1/2"	1-1/4"	215JP
10	3	L01951	8-1/2"	1-1/4"	213JP

**NOTE:** For an explanation of the tabulated material found on this page and for impeller key location, refer to **Supplement A** located at the beginning of this section.



# BERKELEY® B1-1/2TPMS

## Cast Iron Impeller

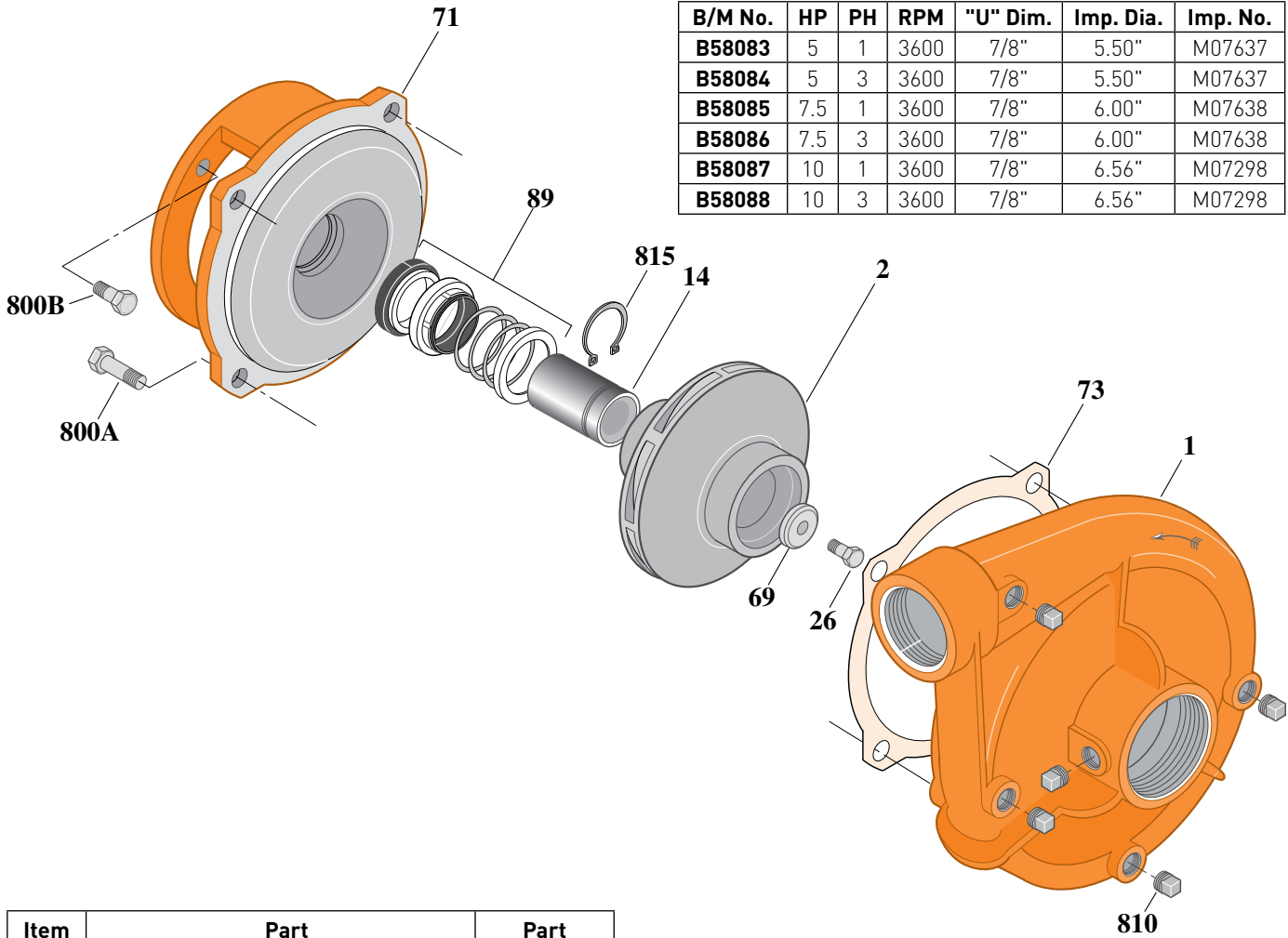
Threaded Case (NPT), Mechanical Shaft Seal Construction

ELECTRIC MOTOR DRIVE

Section	CC
Page	30.2
Date	March 4, 2013
Supersedes 01/01/04	

**Table I**

B/M No.	HP	PH	RPM	"U" Dim.	Imp. Dia.	Imp. No.
B58083	5	1	3600	7/8"	5.50"	M07637
B58084	5	3	3600	7/8"	5.50"	M07637
B58085	7.5	1	3600	7/8"	6.00"	M07638
B58086	7.5	3	3600	7/8"	6.00"	M07638
B58087	10	1	3600	7/8"	6.56"	M07298
B58088	10	3	3600	7/8"	6.56"	M07298



1479 0195

Item No.	Part Description	Part Number
1	Case, Volute	L01018
2	Impeller	See Table I
14	Sleeve, Shaft	S19310L
26	Screw, Impeller 3/8 - 16 x 1"	S23566
32	Key, 3/16 x 1-1/4" (See Note)	S34383
69	Washer, Impeller	S16239
71	Bracket	See Table II
73	Gasket, Volute	S04757
89	Seal, Mechanical Shaft	S32014
800A	Capscrew, 1/2 - 13 x 1" [8 Req.]	S26912
800B	Capscrew, 3/8 - 16 x 1" [4 Req.]	S26826
810	Plug, Pipe 1/4 NPT [5 Req.]	S23715
815	Ring, Retaining	S11207

**Table II**

HP	PH	Bracket No.	"AK" Fit	"U" Dim.	Motor Frame
5	1	L05329	4-1/2"	7/8"	184JM
5	3	L05329	4-1/2"	7/8"	182JM
7.5	1	L05328	8-1/2"	7/8"	213JM
7.5	3	L05329	4-1/2"	7/8"	184JM
10	1	L05328	8-1/2"	7/8"	215JM
10	3	L05328	8-1/2"	7/8"	213JM

**NOTE:** For an explanation of the tabulated material found on this page and for impeller key location, refer to **Supplement A** located at the beginning of this section.



# BERKELEY® B1-1/2TPM

## Bronze Impeller

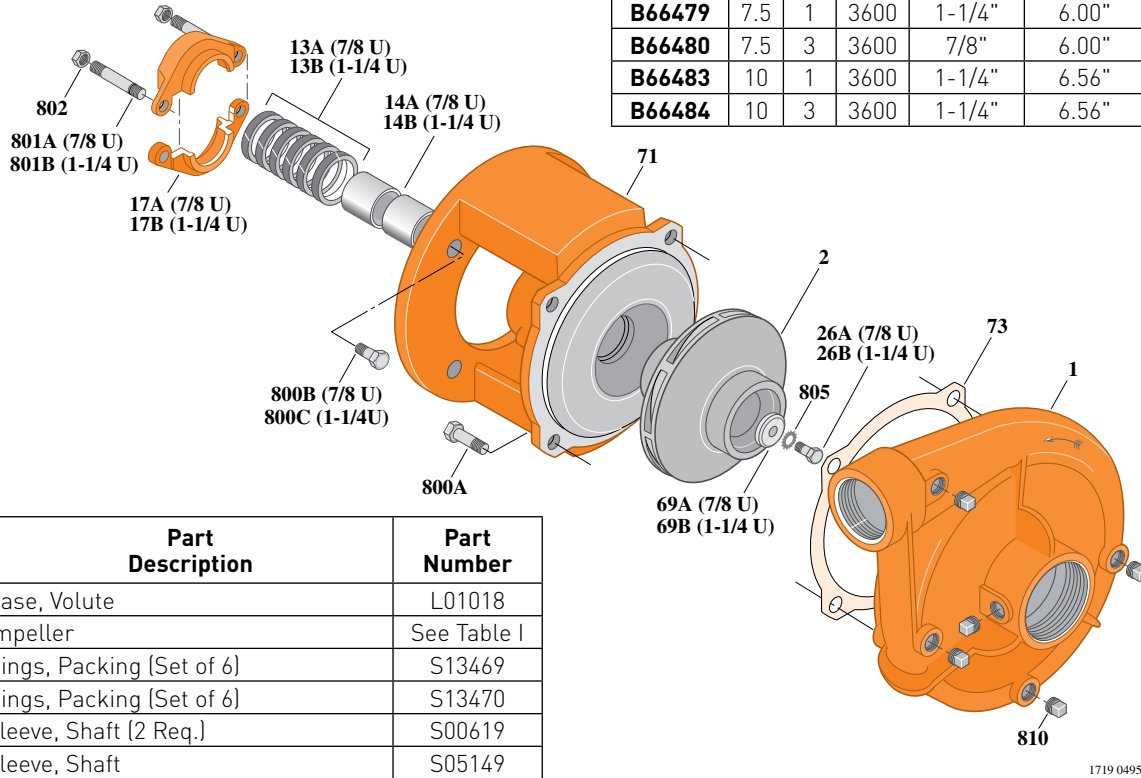
Threaded Case (NPT), Packing Construction

## ELECTRIC MOTOR DRIVE

Section	CC
Page	30.3
Date	March 4, 2013
Supersedes 01/01/04	

**Table I**

B/M No.	HP	PH	RPM	"U" Dim.	Imp. Dia.	Imp. No.
B66475	5	1	3600	7/8"	5.50"	L08179
B66476	5	3	3600	7/8"	5.50"	L08179
B66479	7.5	1	3600	1-1/4"	6.00"	L08151
B66480	7.5	3	3600	7/8"	6.00"	L08177
B66483	10	1	3600	1-1/4"	6.56"	L08150
B66484	10	3	3600	1-1/4"	6.56"	L08150



Item No.	Part Description	Part Number
1	Case, Volute	L01018
2	Impeller	See Table I
13A	Rings, Packing [Set of 6]	S13469
13B	Rings, Packing [Set of 6]	S13470
14A	Sleeve, Shaft [2 Req.]	S00619
14B	Sleeve, Shaft	S05149
17A	Gland, Packing	B82469
17B	Gland, Packing	B82470
26A	Screw, Impeller, 3/8 - 16 x 1"	S23566
26B	Screw, Impeller 1/2 - 13 x 1"	S23619
32A	Key, 3/16 x 1-1/4" [See Note]	S34383
32B	Key, 1/4 x 2-1/4" [See Note]	S23677
69A	Washer, Impeller	S16239
69B	Washer, Impeller	S06317
71	Bracket	See Table II
73	Gasket, Volute	S04757
800A	Cap screw, 1/2 - 13 x 1" [4 Req.]	S26912
800B	Cap screw, 1/2 - 13 x 1" [8 Req.]	S26912
800C	Cap screw, 3/8 - 16 x 7/8" [4 Req.]	S26825
801A	Stud, 3/8 - 16 x 4" [2 Req.]	S08303
801B	Stud, 3/8 - 16 x 3-1/2" [2 Req.]	S04441
802	Nut, Hex 3/8 - 16 [2 Req.]	S23343
805	Washer, Lock	S23038
810	Plug, Pipe 1/4 NPT [5 Req.]	S23715

**Table II**

HP	PH	Bracket No.	"AK" Fit	"U" Dim.	Motor Frame
5	1	L01525	4-1/2"	7/8"	184JP
5	3	L01525	4-1/2"	7/8"	182JP
7.5	1	L01951	8-1/2"	1-1/4"	213JP
7.5	3	L01525	4-1/2"	7/8"	184JP
10	1	L01951	8-1/2"	1-1/4"	215JP
10	3	L01951	8-1/2"	1-1/4"	213JP

**NOTE:** For an explanation of the tabulated material found on this page and for impeller key location, refer to **Supplement A** located at the beginning of this section.



# BERKELEY® B1-1/2TPMS

## Bronze Impeller

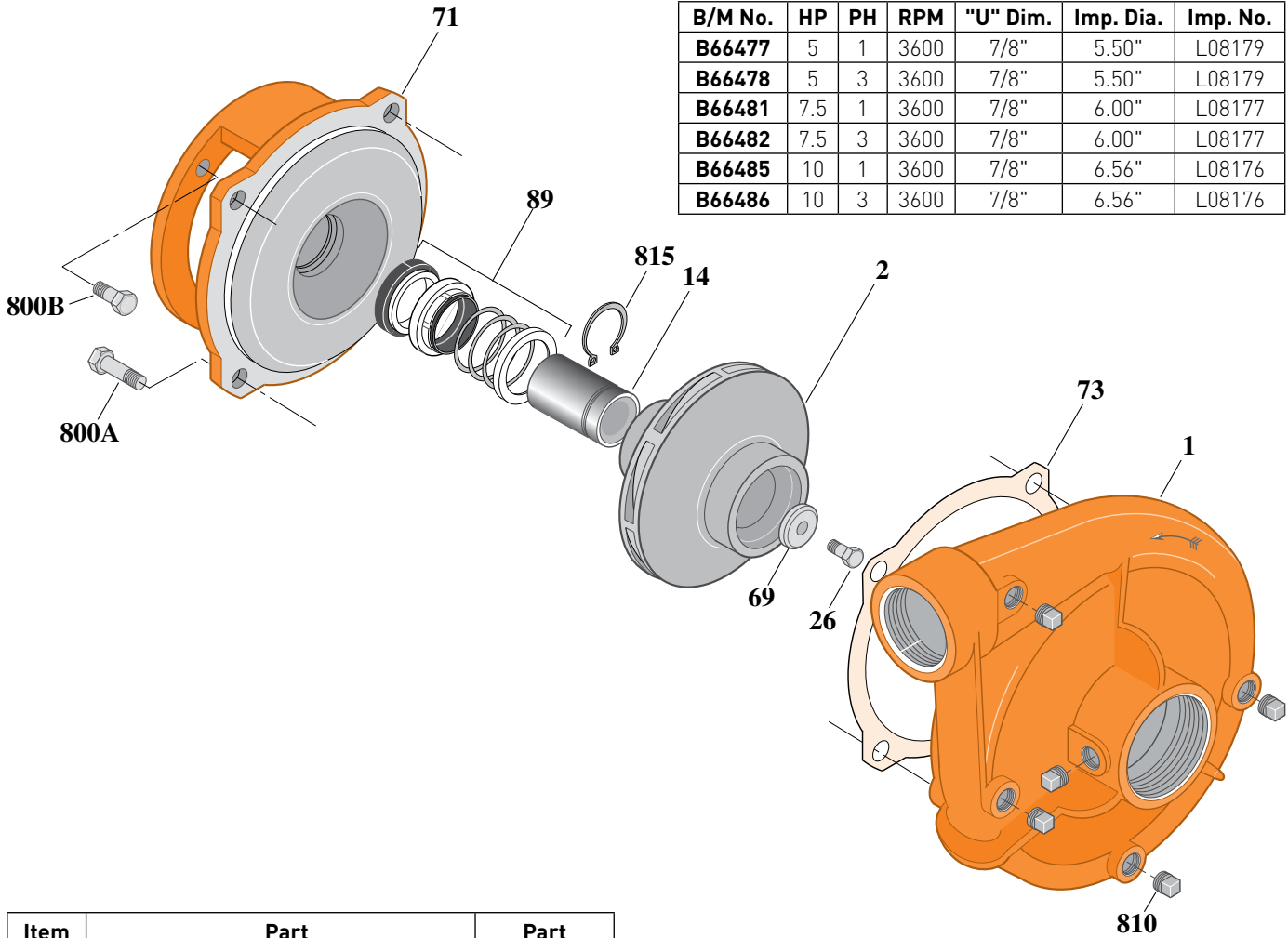
Threaded Case (NPT), Mechanical Shaft Seal Construction

ELECTRIC MOTOR DRIVE

Section	CC
Page	30.4
Date	March 4, 2013
Supersedes 01/01/04	

**Table I**

B/M No.	HP	PH	RPM	"U" Dim.	Imp. Dia.	Imp. No.
B66477	5	1	3600	7/8"	5.50"	L08179
B66478	5	3	3600	7/8"	5.50"	L08179
B66481	7.5	1	3600	7/8"	6.00"	L08177
B66482	7.5	3	3600	7/8"	6.00"	L08177
B66485	10	1	3600	7/8"	6.56"	L08176
B66486	10	3	3600	7/8"	6.56"	L08176



1479 0195

Item No.	Part Description	Part Number
1	Case, Volute	L01018
2	Impeller	See Table I
14	Sleeve, Shaft	S19310
26	Screw, Impeller 3/8 - 16 x 1"	S23566
32	Key, 3/16 x 1-1/4" [See Note]	S34383
69	Washer, Impeller	S16239
71	Bracket	See Table II
73	Gasket, Volute	S04757
89	Seal, Mechanical Shaft	S32014
800A	Capscrew, 1/2 - 13 x 1" [8 Req.]	S26912
800B	Capscrew, 3/8 - 16 x 1" [4 Req.]	S26826
810	Plug, Pipe 1/4 NPT [5 Req.]	S23715
815	Ring, Retaining	S11207

**Table II**

HP	PH	Bracket No.	"AK" Fit	"U" Dim.	Motor Frame
5	1	L05329	4-1/2"	7/8"	184JM
5	3	L05329	4-1/2"	7/8"	182JM
7.5	1	L05328	8-1/2"	7/8"	213JM
7.5	3	L05329	4-1/2"	7/8"	184JM
10	1	L05328	8-1/2"	7/8"	215JM
10	3	L05328	8-1/2"	7/8"	213JM

**NOTE:** For an explanation of the tabulated material found on this page and for impeller key location, refer to **Supplement A** located at the beginning of this section.



# BERKELEY® B1-1/2TPM

## Silicon Bronze Impeller

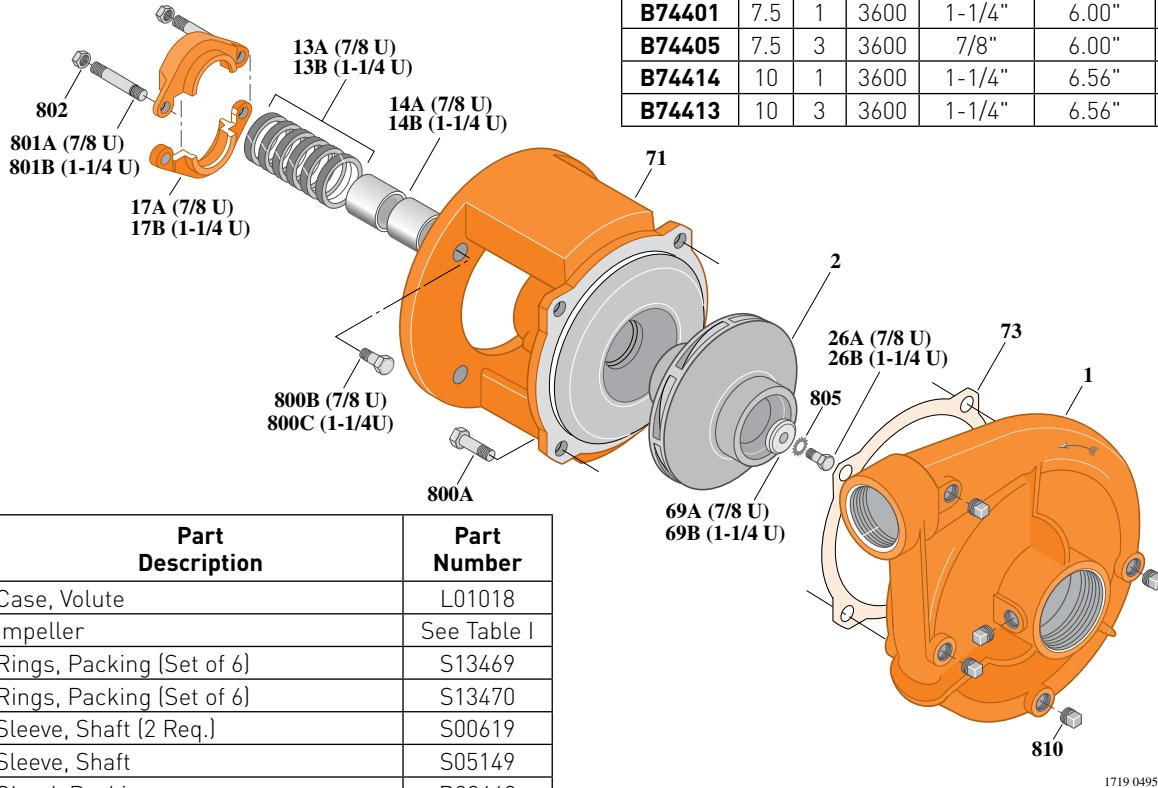
Threaded Case (NPT), Packing Construction

## ELECTRIC MOTOR DRIVE

Section	CC
Page	30.5
Date	March 4, 2013
Supersedes 01/01/04	

**Table I**

B/M No.	HP	PH	RPM	"U" Dim.	Imp. Dia.	Imp. No.
B74394	5	1	3600	7/8"	5.50"	L08179
B74393	5	3	3600	7/8"	5.50"	L08179
B74401	7.5	1	3600	1-1/4"	6.00"	L08151
B74405	7.5	3	3600	7/8"	6.00"	L08177
B74414	10	1	3600	1-1/4"	6.56"	L08150
B74413	10	3	3600	1-1/4"	6.56"	L08150



Item No.	Part Description	Part Number
1	Case, Volute	L01018
2	Impeller	See Table I
13A	Rings, Packing [Set of 6]	S13469
13B	Rings, Packing [Set of 6]	S13470
14A	Sleeve, Shaft [2 Req.]	S00619
14B	Sleeve, Shaft	S05149
17A	Gland, Packing	B82469
17B	Gland, Packing	B82470
26A	Screw, Impeller, 3/8 - 16 x 1"	S23566
26B	Screw, Impeller 1/2 - 13 x 1"	S23619
32A	Key, 3/16 x 1-1/4" [See Note]	S34383
32B	Key, 1/4 x 2-1/4" [See Note]	S23677
69A	Washer, Impeller	S16239
69B	Washer, Impeller	S06317
71	Bracket	See Table II
73	Gasket, Volute	S04757
800A	Capscrew, 1/2 - 13 x 1" [4 Req.]	S26912
800B	Capscrew, 3/8 - 16 x 7/8" [4 Req.]	S26825
800C	Capscrew, 1/2 - 13 x 1" [4 Req.]	S26912
801A	Stud, 3/8 - 16 x 4" [2 Req.]	S08303
801B	Stud, 3/8 - 16 x 3-1/2" [2 Req.]	S04441
802	Nut, Hex 3/8 - 16 [2 Req.]	S23343
805	Washer, Lock	S23038
810	Plug, Pipe 1/4" NPT [5 Req.]	S23715

**Table II**

HP	PH	Bracket No.	"AK" Fit	"U" Dim.	Motor Frame
5	1	L01525	4-1/2"	7/8"	184JP
5	3	L01525	4-1/2"	7/8"	182JP
7.5	1	L01951	8-1/2"	1-1/4"	213JP
7.5	3	L01525	4-1/2"	7/8"	184JP
10	1	L01951	8-1/2"	1-1/4"	215JP
10	3	L01951	8-1/2"	1-1/4"	213JP

**NOTE:** For an explanation of the tabulated material found on this page and for impeller key location, refer to **Supplement A** located at the beginning of this section.



# BERKELEY® B1-1/2TPMS

## Silicon Bronze Impeller

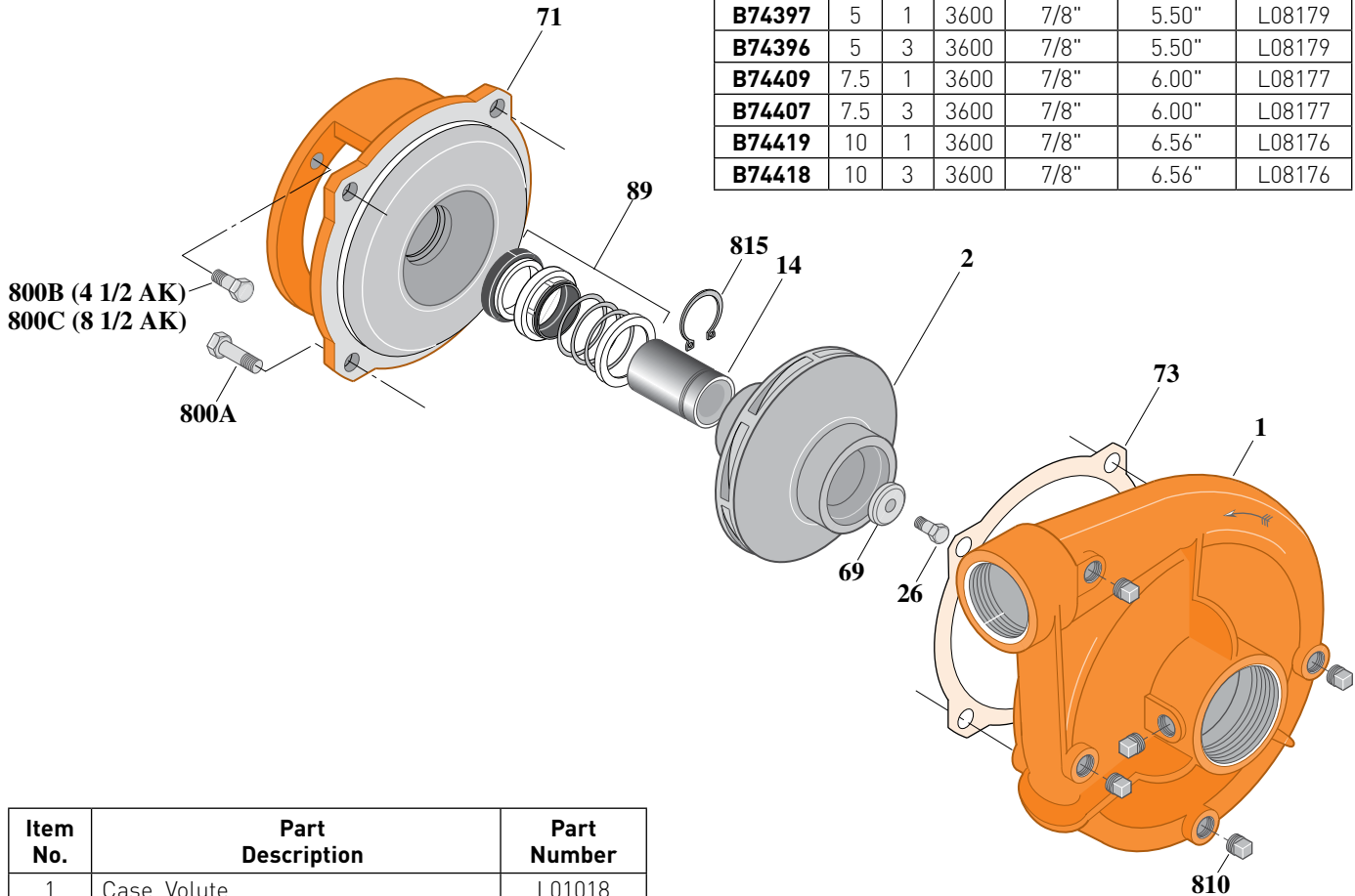
Threaded Case (NPT), Mechanical Shaft Seal Construction

ELECTRIC MOTOR DRIVE

Section	CC
Page	30.6
Date	March 4, 2013
Supersedes 01/01/04	

**Table I**

B/M No.	HP	PH	RPM	"U" Dim.	Imp. Dia.	Imp. No.
B74397	5	1	3600	7/8"	5.50"	L08179
B74396	5	3	3600	7/8"	5.50"	L08179
B74409	7.5	1	3600	7/8"	6.00"	L08177
B74407	7.5	3	3600	7/8"	6.00"	L08177
B74419	10	1	3600	7/8"	6.56"	L08176
B74418	10	3	3600	7/8"	6.56"	L08176



1479A 0195

Item No.	Part Description	Part Number
1	Case, Volute	L01018
2	Impeller	See Table I
14	Sleeve, Shaft	S19310
26	Screw, Impeller 3/8 - 16 x 1"	S23566
32	Key, 3/16 x 1-1/4" [See Note]	S34383
69	Washer, Impeller	S16239
71	Bracket	See Table II
73	Gasket, Volute	S04757
89	Seal, Mechanical Shaft	S32014
800A	Capscrew, 1/2 - 13 x 1" [4 Req.]	S26912
800B	Capscrew, 3/8 - 16 x 1" [4 Req.]	S26826
800C	Capscrew, 1/2 - 13 x 1" [4 Req.]	S26912
810	Plug, Pipe 1/4" NPT [5 Req.]	S23715
815	Ring, Retaining	S11207
•	Plug, Pipe 1/8" NPT (In Bracket)	S23714

• Not illustrated.

**Table II**

HP	PH	Bracket No.	"AK" Fit	"U" Dim.	Motor Frame
5	1	L05329	4-1/2"	7/8"	184JM
5	3	L05329	4-1/2"	7/8"	182JM
7.5	1	L05328	8-1/2"	7/8"	213JM
7.5	3	L05329	4-1/2"	7/8"	184JM
10	1	L05328	8-1/2"	7/8"	215JM
10	3	L05328	8-1/2"	7/8"	213JM

**NOTE 1:** For an explanation of the tabulated material found on this page and for impeller key location, refer to **Supplement A** located at the beginning of this section.

**NOTE 2:** For seal flush line details, see **Supplement D**.

