

BERKELEY® B1-1/2TPL

Cast Iron Impeller

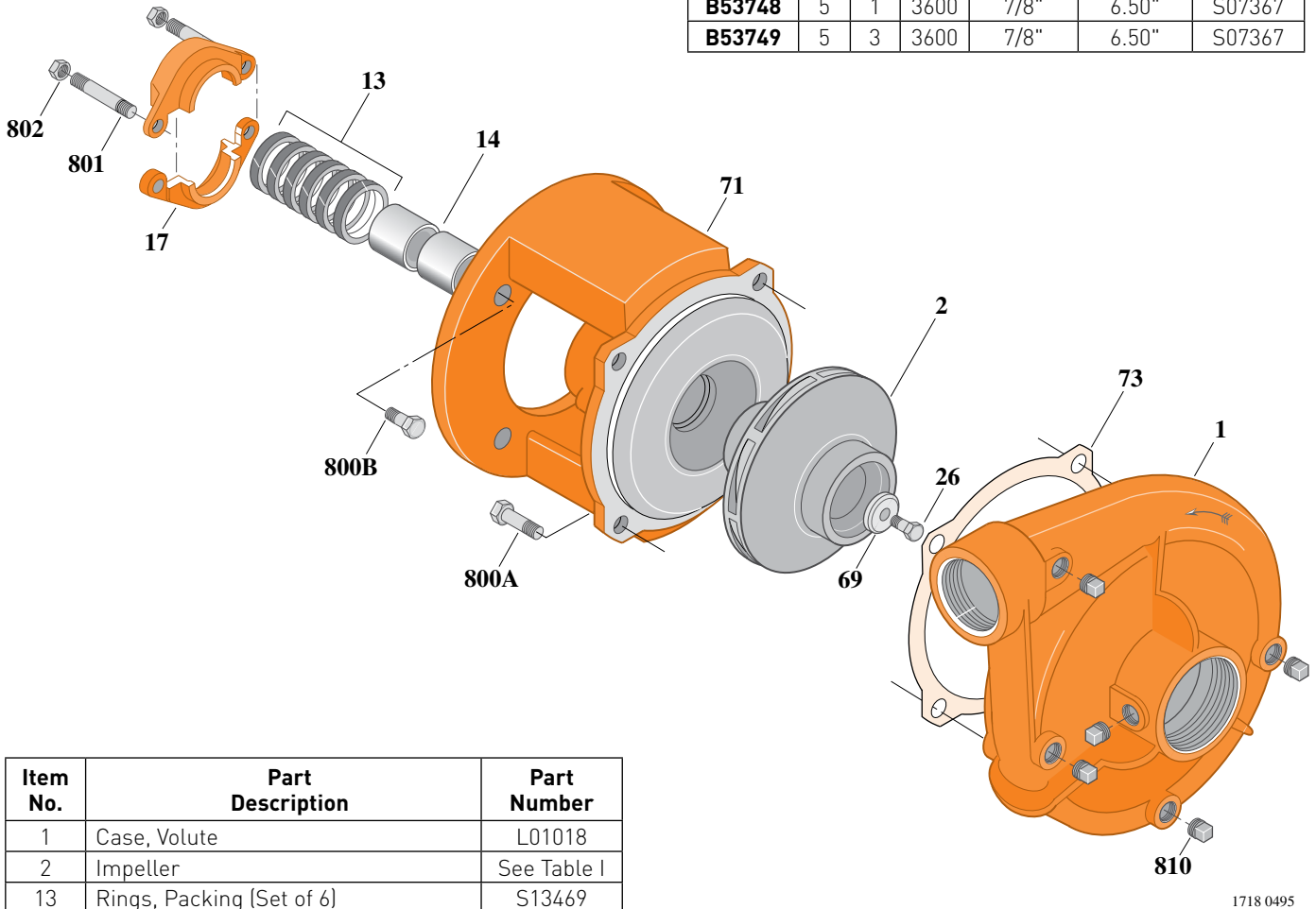
Threaded Case (NPT), Packing Construction

ELECTRIC MOTOR DRIVE

| | |
|---------------------|---------------|
| Section | CC |
| Page | 20.1 |
| Date | March 4, 2013 |
| Supersedes 01/01/04 | |

Table I

| B/M No. | HP | PH | RPM | "U" Dim. | Imp. Dia. | Imp. No. |
|---------|----|----|------|----------|-----------|----------|
| B53747 | 3 | 1 | 3600 | 7/8" | 6.00" | M06122 |
| B51592 | 3 | 3 | 3600 | 7/8" | 6.00" | M06122 |
| B53748 | 5 | 1 | 3600 | 7/8" | 6.50" | S07367 |
| B53749 | 5 | 3 | 3600 | 7/8" | 6.50" | S07367 |



| Item No. | Part Description | Part Number |
|----------|------------------------------------|--------------|
| 1 | Case, Volute | L01018 |
| 2 | Impeller | See Table I |
| 13 | Rings, Packing (Set of 6) | S13469 |
| 14 | Sleeve, Shaft (2 Req.) | S00619 |
| 17 | Gland, Packing | B82469 |
| 26 | Screw, Impeller 3/8 - 16 x 1" | S23566 |
| 32 | Key, 3/16 x 1-1/4" (See Note) | S34383 |
| 69 | Washer, Impeller | S16239 |
| 71 | Bracket | See Table II |
| 73 | Gasket, Volute | S04757 |
| 800A | Capscrew, 1/2 - 13 x 1" (4 Req.) | S26912 |
| 800B | Capscrew, 3/8 - 16 x 7/8" (4 Req.) | S26825 |
| 801 | Stud, 3/8 - 16 x 4" (2 Req.) | S08303 |
| 802 | Nut, Hex 3/8 - 16 (2 Req.) | S23343 |
| 810 | Plug, Pipe 1/4 NPT (5 Req.) | S23715 |

Table II

| HP | PH | Bracket No. | "AK" Fit | "U" Dim. | Motor Frame |
|----|----|-------------|----------|----------|-------------|
| 3 | 1 | L01525 | 4-1/2" | 7/8" | 182JP |
| 3 | 3 | L01525 | 4-1/2" | 7/8" | 145JP |
| 5 | 1 | L01525 | 4-1/2" | 7/8" | 184JP |
| 5 | 3 | L01525 | 4-1/2" | 7/8" | 182JP |

NOTE: For an explanation of the tabulated material found on this page and for impeller key location, refer to **Supplement A** located at the beginning of this section.



BERKELEY® B1-1/2TPLS

Cast Iron Impeller

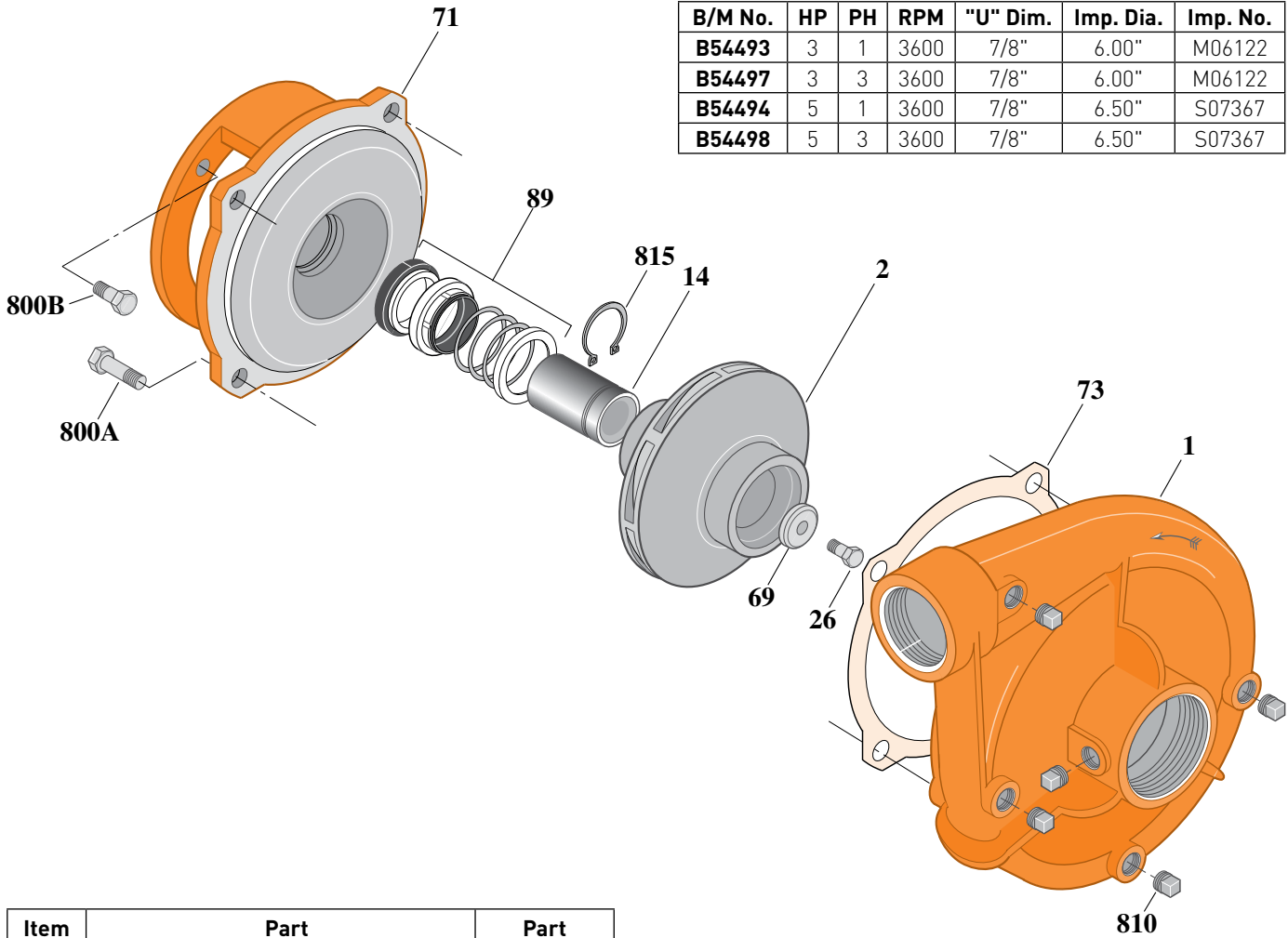
Threaded Case (NPT), Mechanical Shaft Seal Construction

ELECTRIC MOTOR DRIVE

| | |
|---------------------|---------------|
| Section | CC |
| Page | 20.2 |
| Date | March 4, 2013 |
| Supersedes 01/01/04 | |

Table I

| B/M No. | HP | PH | RPM | "U" Dim. | Imp. Dia. | Imp. No. |
|---------|----|----|------|----------|-----------|----------|
| B54493 | 3 | 1 | 3600 | 7/8" | 6.00" | M06122 |
| B54497 | 3 | 3 | 3600 | 7/8" | 6.00" | M06122 |
| B54494 | 5 | 1 | 3600 | 7/8" | 6.50" | S07367 |
| B54498 | 5 | 3 | 3600 | 7/8" | 6.50" | S07367 |



1479 0195

| Item No. | Part Description | Part Number |
|----------|----------------------------------|--------------|
| 1 | Case, Volute | L01018 |
| 2 | Impeller | See Table I |
| 14 | Sleeve, Shaft | S19310L |
| 26 | Screw, Impeller 3/8 - 16 x 1" | S23566 |
| 32 | Key, 3/16 x 1-1/4" (See Note) | S34383 |
| 69 | Washer, Impeller | S16239 |
| 71 | Bracket | See Table II |
| 73 | Gasket, Case | S04757 |
| 89 | Seal, Mechanical Shaft | S32014 |
| 800A | Capscrew, 1/2 - 13 x 1" (4 Req.) | S26912 |
| 800B | Capscrew, 3/8 - 16 x 1" (4 Req.) | S26826 |
| 810 | Pipe Plug, 1/4 NPT (5 Req.) | S23715 |
| 815 | Ring, Seal Retaining | S11207 |

Table II

| HP | PH | Bracket No. | "AK" Fit | "U" Dim. | Motor Frame |
|----|----|-------------|----------|----------|-------------|
| 3 | 1 | L05329 | 4-1/2" | 7/8" | 182JM |
| 3 | 3 | L05329 | 4-1/2" | 7/8" | 145JM |
| 5 | 1 | L05329 | 4-1/2" | 7/8" | 184JM |
| 5 | 3 | L05329 | 4-1/2" | 7/8" | 182JM |

NOTE: For an explanation of the tabulated material found on this page and for impeller key location, refer to **Supplement A** located at the beginning of this section.



BERKELEY® B1-1/2TPL

Bronze Impeller

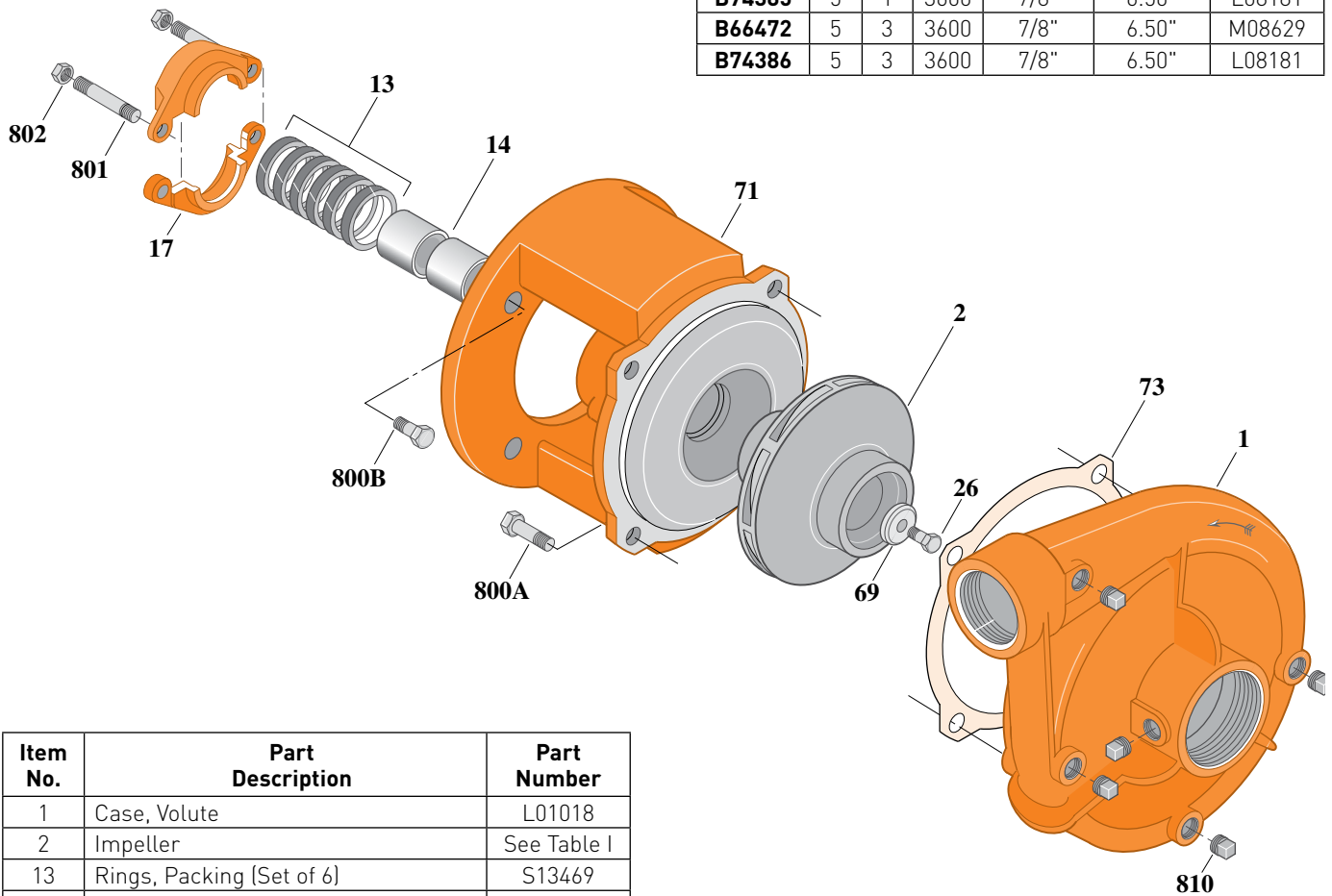
Threaded Case (NPT), Packing Construction

ELECTRIC MOTOR DRIVE

| | |
|---------------------|---------------|
| Section | CC |
| Page | 20.3 |
| Date | March 4, 2013 |
| Supersedes 01/01/04 | |

Table I

| B/M No. | HP | PH | RPM | "U" Dim. | Imp. Dia. | Imp. No. |
|---------|----|----|------|----------|-----------|----------|
| B66467 | 3 | 1 | 3600 | 7/8" | 6.00" | L06662 |
| B66468 | 3 | 3 | 3600 | 7/8" | 6.00" | L06662 |
| B66471 | 5 | 1 | 3600 | 7/8" | 6.50" | M08629 |
| B74385 | 5 | 1 | 3600 | 7/8" | 6.50" | L08181 |
| B66472 | 5 | 3 | 3600 | 7/8" | 6.50" | M08629 |
| B74386 | 5 | 3 | 3600 | 7/8" | 6.50" | L08181 |



| Item No. | Part Description | Part Number |
|----------|-------------------------------------|--------------|
| 1 | Case, Volute | L01018 |
| 2 | Impeller | See Table I |
| 13 | Rings, Packing (Set of 6) | S13469 |
| 14 | Sleeve, Shaft (2 Req.) | S00619 |
| 17 | Gland, Packing | B82469 |
| 26 | Screw, Impeller 3/8 - 16 x 1" | S23566 |
| 32 | Key, 3/16 x 1-1/4" (See Note) | S34383 |
| 69 | Washer, Impeller | S16239 |
| 71 | Bracket | See Table II |
| 73 | Gasket, Volute | S04757 |
| 800A | Cap screw, 1/2 - 13 x 1" (4 Req.) | S26912 |
| 800B | Cap screw, 3/8 - 16 x 7/8" (4 Req.) | S26825 |
| 801 | Stud, 3/8 - 16 x 4" (2 Req.) | S08303 |
| 802 | Nut, Hex 3/8 - 16 (2 Req.) | S23343 |
| 810 | Plug, Pipe 1/4 NPT (5 Req.) | S23715 |

Table II

| HP | PH | Bracket No. | "AK" Fit | "U" Dim. | Motor Frame |
|----|----|-------------|----------|----------|-------------|
| 3 | 1 | L01525 | 4-1/2" | 7/8" | 182JP |
| 3 | 3 | L01525 | 4-1/2" | 7/8" | 145JP |
| 5 | 1 | L01525 | 4-1/2" | 7/8" | 184JP |
| 5 | 3 | L01525 | 4-1/2" | 7/8" | 182JP |

NOTE: For an explanation of the tabulated material found on this page and for impeller key location, refer to **Supplement A** located at the beginning of this section.

BERKELEY® B1-1/2TPLS

Bronze Impeller

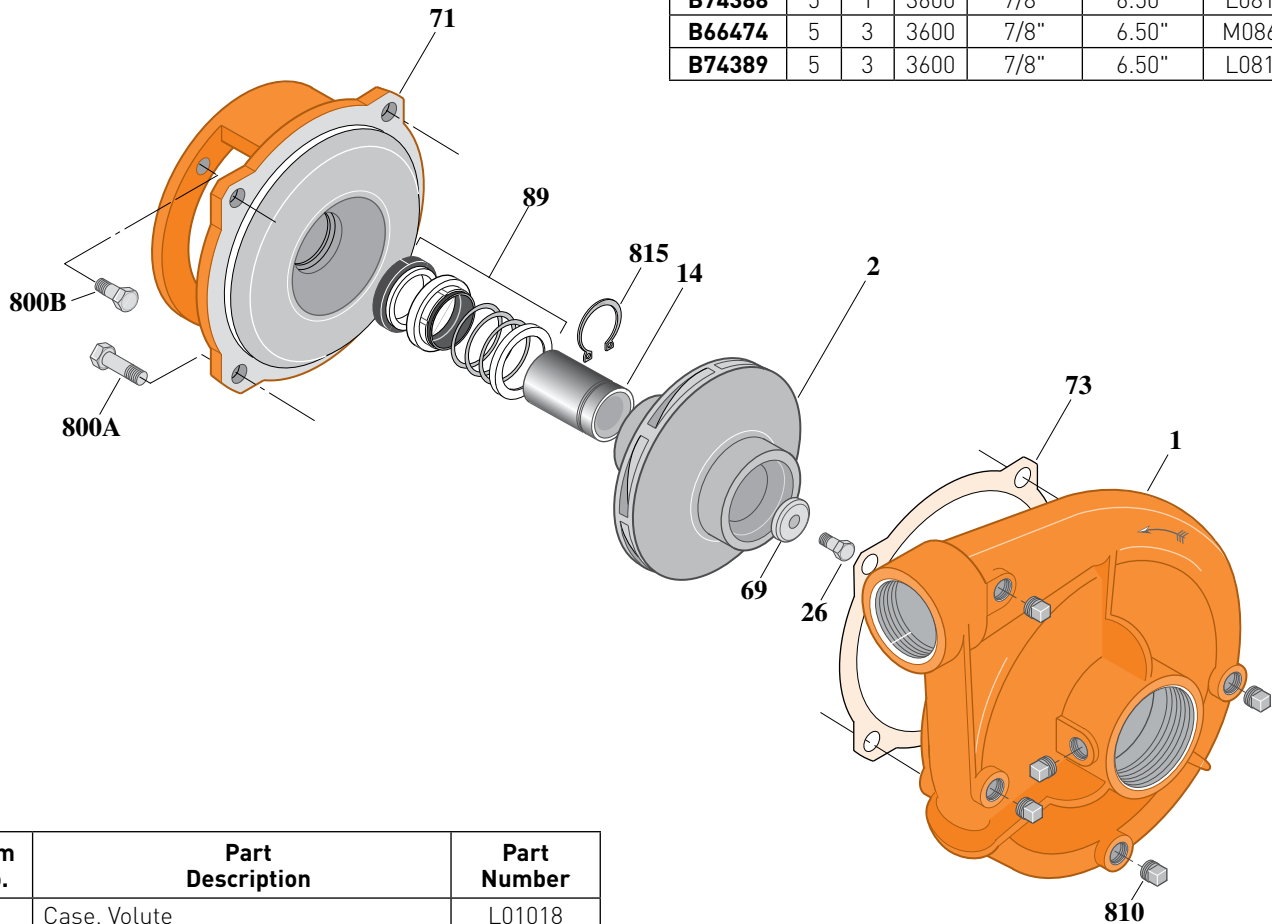
Threaded Case (NPT), Mechanical Shaft Seal Construction

ELECTRIC MOTOR DRIVE

| | |
|---------------------|---------------|
| Section | CC |
| Page | 20.4 |
| Date | March 4, 2013 |
| Supersedes 01/01/04 | |

Table I

| B/M No. | HP | PH | RPM | "U" Dim. | Imp. Dia. | Imp. No. |
|---------|----|----|------|----------|-----------|----------|
| B66469 | 3 | 1 | 3600 | 7/8" | 6.00" | L06662 |
| B66470 | 3 | 3 | 3600 | 7/8" | 6.00" | L06662 |
| B66473 | 5 | 1 | 3600 | 7/8" | 6.50" | M08629 |
| B74388 | 5 | 1 | 3600 | 7/8" | 6.50" | L08181 |
| B66474 | 5 | 3 | 3600 | 7/8" | 6.50" | M08629 |
| B74389 | 5 | 3 | 3600 | 7/8" | 6.50" | L08181 |



| Item No. | Part Description | Part Number |
|----------|----------------------------------|--------------|
| 1 | Case, Volute | L01018 |
| 2 | Impeller | See Table I |
| 14 | Sleeve, Shaft | S19310L |
| 26 | Screw, Impeller 3/8 - 16 x 1" | S23566 |
| 32 | Key, 3/16 x 1-1/4" [See Note] | S34383 |
| 69 | Washer, Impeller | S16239 |
| 71 | Bracket | See Table II |
| 73 | Gasket, Case | S04757 |
| 89 | Seal, Mechanical Shaft | S32014 |
| 800A | Capscrew, 1/2 - 13 x 1" [4 Req.] | S26912 |
| 800B | Capscrew, 3/8 - 16 x 1" [4 Req.] | S26826 |
| 810 | Pipe Plug, 1/4 NPT [5 Req.] | S23715 |
| 815 | Ring, Seal Retaining | S11207 |

Table II

| HP | PH | Bracket No. | "AK" Fit | "U" Dim. | Motor Frame |
|----|----|-------------|----------|----------|-------------|
| 3 | 1 | L05329 | 4-1/2" | 7/8" | 182JM |
| 3 | 3 | L05329 | 4-1/2" | 7/8" | 145JM |
| 5 | 1 | L05329 | 4-1/2" | 7/8" | 184JM |
| 5 | 3 | L05329 | 4-1/2" | 7/8" | 182JM |

NOTE: For an explanation of the tabulated material found on this page and for impeller key location, refer to **Supplement A** located at the beginning of this section.



BERKELEY® B1-1/2TPL

Silicon Bronze Impeller

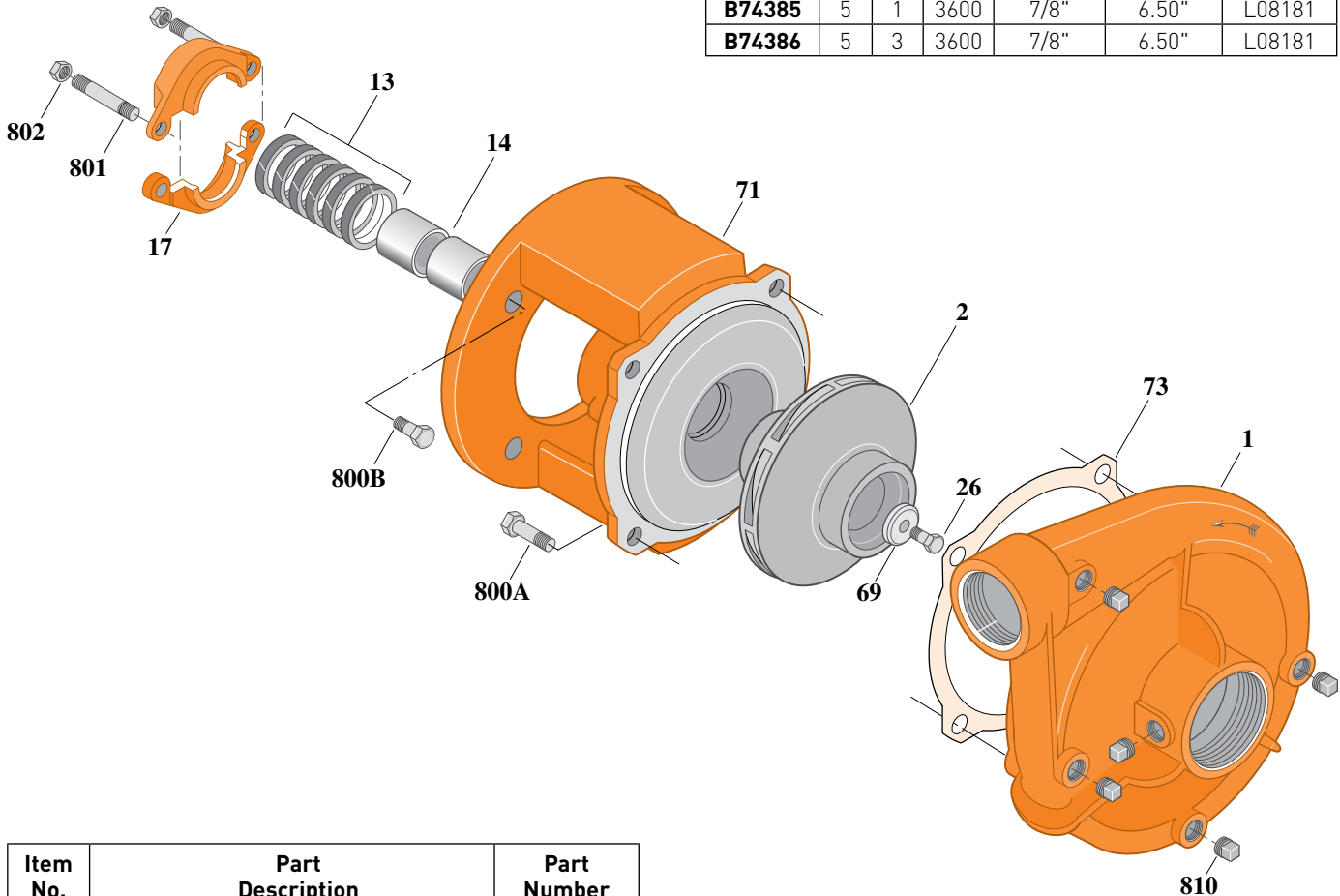
Threaded Case (NPT), Packing Construction

ELECTRIC MOTOR DRIVE

| | |
|---------------------|---------------|
| Section | CC |
| Page | 20.5 |
| Date | March 4, 2013 |
| Supersedes 09/01/97 | |

Table I

| B/M No. | HP | PH | RPM | "U" Dim. | Imp. Dia. | Imp. No. |
|---------------|----|----|------|----------|-----------|----------|
| B74385 | 5 | 1 | 3600 | 7/8" | 6.50" | L08181 |
| B74386 | 5 | 3 | 3600 | 7/8" | 6.50" | L08181 |



1718 0495

| Item No. | Part Description | Part Number |
|----------|------------------------------------|--------------|
| 1 | Case, Volute | L01018 |
| 2 | Impeller | See Table I |
| 13 | Rings, Packing (Set of 6) | S13469 |
| 14 | Sleeve, Shaft (2 Req.) | S00619 |
| 17 | Gland, Packing | S00393 |
| 26 | Screw, Impeller 3/8 - 16 x 1" | S23566 |
| 32 | Key, 3/16 x 1-1/4" (See Note) | S34383 |
| 69 | Washer, Impeller | S16239 |
| 71 | Bracket | See Table II |
| 73 | Gasket, Volute | S04757 |
| 800A | Capscrew, 1/2 - 13 x 1" (4 Req.) | S26912 |
| 800B | Capscrew, 3/8 - 16 x 7/8" (4 Req.) | S26825 |
| 801 | Stud, 3/8 - 16 x 4" (2 Req.) | S08303 |
| 802 | Nut, Hex 3/8 - 16 (2 Req.) | S23343 |
| 810 | Plug, Pipe 1/4" NPT (5 Req.) | S23715 |

Table II

| HP | PH | Bracket No. | "AK" Fit | "U" Dim. | Motor Frame |
|----|----|-------------|----------|----------|-------------|
| 5 | 1 | L01525 | 4-1/2" | 7/8" | 184JP |
| 5 | 3 | L01525 | 4-1/2" | 7/8" | 182JP |

NOTE: For an explanation of the tabulated material found on this page and for impeller key location, refer to **Supplement A** located at the beginning of this section.

BERKELEY® B1-1/2TPLS

Silicon Bronze Impeller

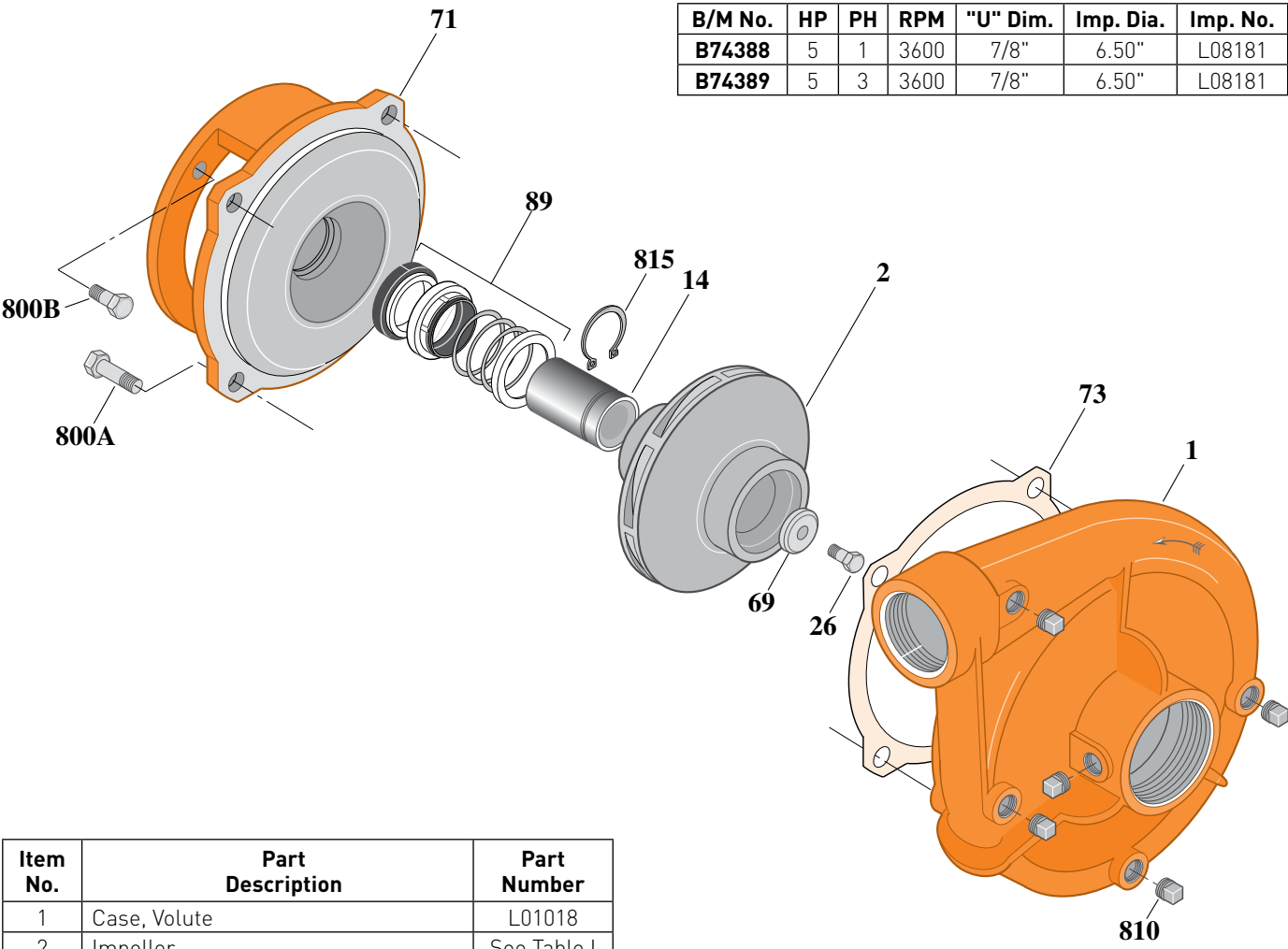
Threaded Case (NPT), Mechanical Shaft Seal Construction

ELECTRIC MOTOR DRIVE

| | |
|---------------------|---------------|
| Section | CC |
| Page | 20.6 |
| Date | March 4, 2013 |
| Supersedes 09/01/97 | |

Table I

| B/M No. | HP | PH | RPM | "U" Dim. | Imp. Dia. | Imp. No. |
|---------|----|----|------|----------|-----------|----------|
| B74388 | 5 | 1 | 3600 | 7/8" | 6.50" | L08181 |
| B74389 | 5 | 3 | 3600 | 7/8" | 6.50" | L08181 |



1479 0195

| Item No. | Part Description | Part Number |
|----------|----------------------------------|--------------|
| 1 | Case, Volute | L01018 |
| 2 | Impeller | See Table I |
| 14 | Sleeve, Shaft | S19310 |
| 26 | Screw, Impeller 3/8 - 16 x 1" | S23566 |
| 32 | Key, 3/16 x 1-1/4" [See Note] | S34383 |
| 69 | Washer, Impeller | S16239 |
| 71 | Bracket | See Table II |
| 73 | Gasket, Case | S04757 |
| 89 | Seal, Mechanical Shaft | S32014 |
| 800A | Capscrew, 1/2 - 13 x 1" [4 Req.] | S26912 |
| 800B | Capscrew, 3/8 - 16 x 1" [4 Req.] | S26826 |
| 810 | Pipe Plug, 1/4" NPT [5 Req.] | S23715 |
| 815 | Ring, Seal Retaining | S11207 |
| • | Plug, Pipe 1/8" NPT (In Bracket) | S23714 |

• Not illustrated.

Table II

| HP | PH | Bracket No. | "AK" Fit | "U" Dim. | Motor Frame |
|----|----|-------------|----------|----------|-------------|
| 5 | 1 | L05329 | 4-1/2" | 7/8" | 184JM |
| 5 | 3 | L05329 | 4-1/2" | 7/8" | 182JM |

NOTE 1: For an explanation of the tabulated material found on this page and for impeller key location, refer to **Supplement A** located at the beginning of this section.

NOTE 2: For seal flush line details, see **Supplement D**.

