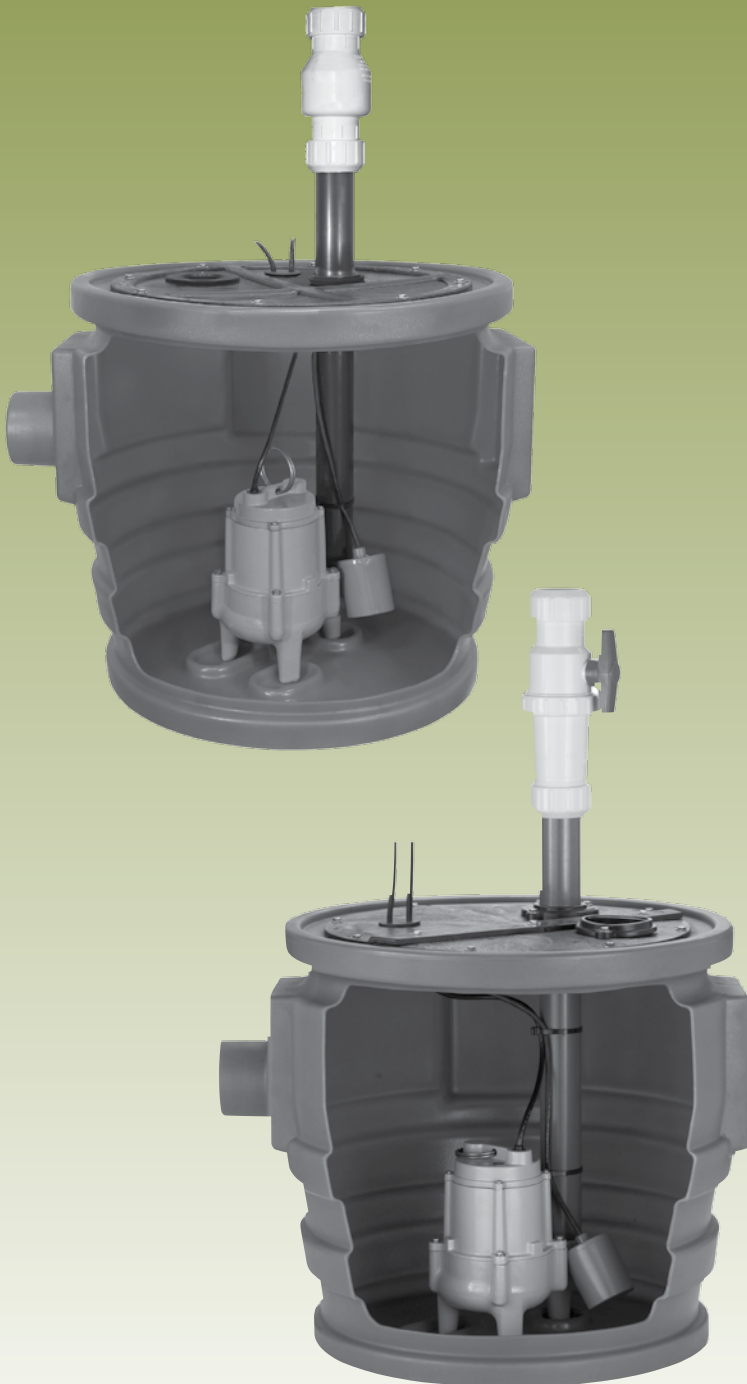


# Wastewater

## Pit + Plus™ Jr. Simplex Package Systems

9S-SMPXC-LGs  
shown



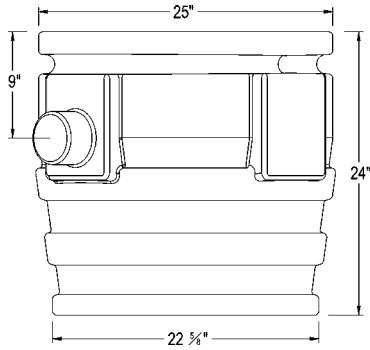
### Applications

- Little Giant Pit Plus Jr. Simplex Package Systems are ideal for homes, light commercial, industrial and agricultural applications as well as the collection of sewage, effluent, drainage, and seepage water

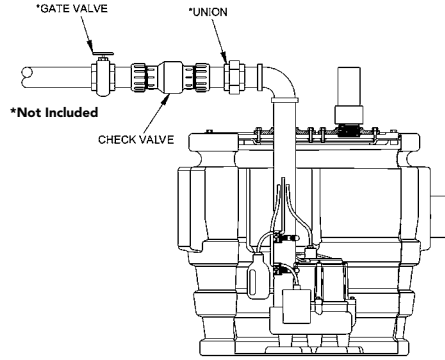
### Features

- Includes Little Giant 9SN or 10SN Series sewage ejector pumps for handling liquid and solid waste materials up to 2" diameter
- 4/10 hp or 1/2 hp motor with thermal overload protection
- Larger 44 gallon capacity extends pump life by reducing pump cycles
- 24" x 24" polyethylene basin with ribs for added strength
- 4" molded external inlet hub to accept flexible coupling
- Molded torque stops in bottom of basin to locate pump
- Anti-flotation collar
- Stainless steel cover bolts
- 360° molded handle for ease of transportation and installation
- Schedule 80 PVC discharge nipple with pre-drilled air-bleed hole
- Full flow check valve (except on noted models)
- Available pre-packaged or pre-assembled
- Durable, corrosion resistant one-piece and two-piece structural foam covers. Available with slip-fit or bolt-on vent and discharge flanges. (Two-piece available with bolt-on flanges only.)
- Available with indoor alarms. (Alarm float preset at factory on pre-assembled units.)

## Dimensional Outline



**BASIN DETAIL  
P/N 113093**



## Specifications

| Item No. | Model No.   | HP   | Volts | Solids Size (dia. in) | Discharge | Running Amps/Watts | Performance (GPM @ Head) |     |     |     | Shut Off (ft) | Pwr. Cord (ft) | Weight (lbs) | Dimensions H x L x W (in) |
|----------|-------------|------|-------|-----------------------|-----------|--------------------|--------------------------|-----|-----|-----|---------------|----------------|--------------|---------------------------|
|          |             |      |       |                       |           |                    | 5'                       | 10' | 15' | 20' |               |                |              |                           |
| 509204   | 9SN-CIA-RF  | 4/10 | 115   | 2                     | 2" FNPT   | 8.5/850            | 110                      | 70  | 30  | —   | 18            | 20             | 36           | 11.6 x 10.3 x 6.8         |
| 509215   | 9SN-CIA-RF  | 4/10 | 115   | 2                     | 2" FNPT   | 8.5/850            | 110                      | 70  | 30  | —   | 18            | 20             | 36           | 11.6 x 10.3 x 6.8         |
| 14940107 | 9SN-CIM     | 4/10 | 115   | 2                     | 2" FNPT   | 8.5/850            | 110                      | 70  | 30  | —   | 18            | 20             | 37           | 11.6 x 10.3 x 6.8         |
| 511323   | 10SN-CIA-RF | 1/2  | 115   | 2                     | 2" FNPT   | 9.5/1000           | 120                      | 95  | 70  | 30  | 20            | 25'            | 36           | 11.6 x 10.3 x 6.8         |
| 511344   | 10SN-CIM    | 1/2  | 115   | 2                     | 2" FNPT   | 9.5/1000           | 120                      | 95  | 70  | 30  | 20            | 25'            | 36           | 11.6 x 10.3 x 6.8         |

RF - Piggyback Mechanical Float Switch

## Pre-Packaged

| Item Numbers     |                 |         | Model        | Discharge Size | Check Valve | Alarm Options |
|------------------|-----------------|---------|--------------|----------------|-------------|---------------|
| Slip-Fit Flanges | Bolt-On Flanges |         |              |                |             |               |
| 1-Piece          | 1-Piece         | 2-Piece |              |                |             |               |
| 509631           | 509632          | 509637  | 9S-SMPXC-LG  | 2"             | 2" Check    | —             |
| 509652           | 509654          | 509650  | 9S-SMPXC-LG  | 3"             | —           | —             |
| 511631           | 511632          | 511637  | 10S-SMPXC-LG | 2"             | 2" Check    | —             |
| 511652           | 511654          | 511650  | 10S-SMPXC-LG | 3"             | —           | —             |

Note: Slip-Fit Flanges with 2" discharge have 2" or 3" vent configuration

## Basin Cover Assemblies (pump not included)

| New Item | Model                           | Cover Detail                   |
|----------|---------------------------------|--------------------------------|
| 513091   | BC2424CS-LG<br>BASIN/COVER ASSY | Slip-fit 2V2D,<br>2V3D or 3V2D |
| 513092   | BC2424CS-LG<br>BASIN/COVER ASSY | Bolt-On, 2V2D,<br>1-Piece      |

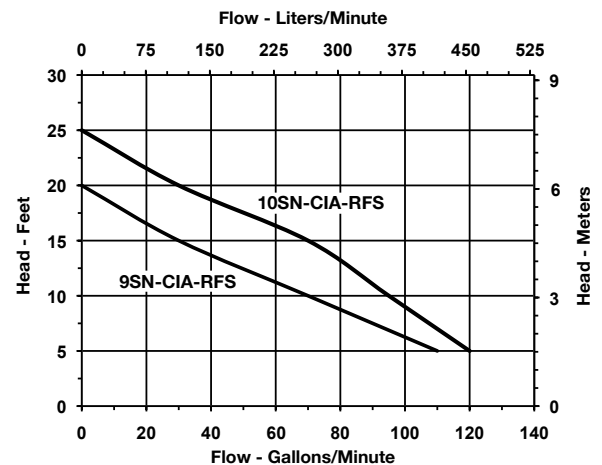
## Pre-Assembled

| Item Numbers     |                 |         | Model          | Discharge Size | Check Valve   | Alarm Options           |
|------------------|-----------------|---------|----------------|----------------|---------------|-------------------------|
| Slip-Fit Flanges | Bolt-On Flanges |         |                |                |               |                         |
| 1-Piece          | 1-Piece         | 2-Piece |                |                |               |                         |
| 509633           | 509635          | 509638  | 9S-SMPXC-LG    | 2"             | 2" Check      | —                       |
| 509639           | —               | —       | 9S-SMPXC-LG1A  | 2"             | 2" Ball/Check | Indoor High Water Alarm |
| 509634           | 509636          | —       | 9S-SMPXC-LG1A  | 2"             | 2" Check      | Indoor High Water Alarm |
| —                | —               | 509640* | 9S-SMPXC-LG    | 2"             | 2" Ball/Check | —                       |
| 509653           | 509655          | 509651  | 9S-SMPXC-LG    | 3"             | 2" Ball/Check | —                       |
| 511633           | 511635          | 511638  | 10S-SMPXC-LG   | 2"             | 2" Check      | —                       |
| 511653           | 511655          | 511651  | 10S-SMPXC-LG   | 3"             | —             | —                       |
| 511634           | 511636          | —       | 10S-SMPXC-LG1A | 2"             | 2" Check      | Indoor High Water Alarm |

Note: Slip-Fit Flanges with 2" discharge have 2" or 3" vent configuration

\* Cover has 3" vent

## Performance Data



P.O. Box 12010  
Oklahoma City, OK 73157-2010  
Phone: 1.800.701.7894  
Fax: 1.800.678.7867  
www.LittleGiantPump.com

