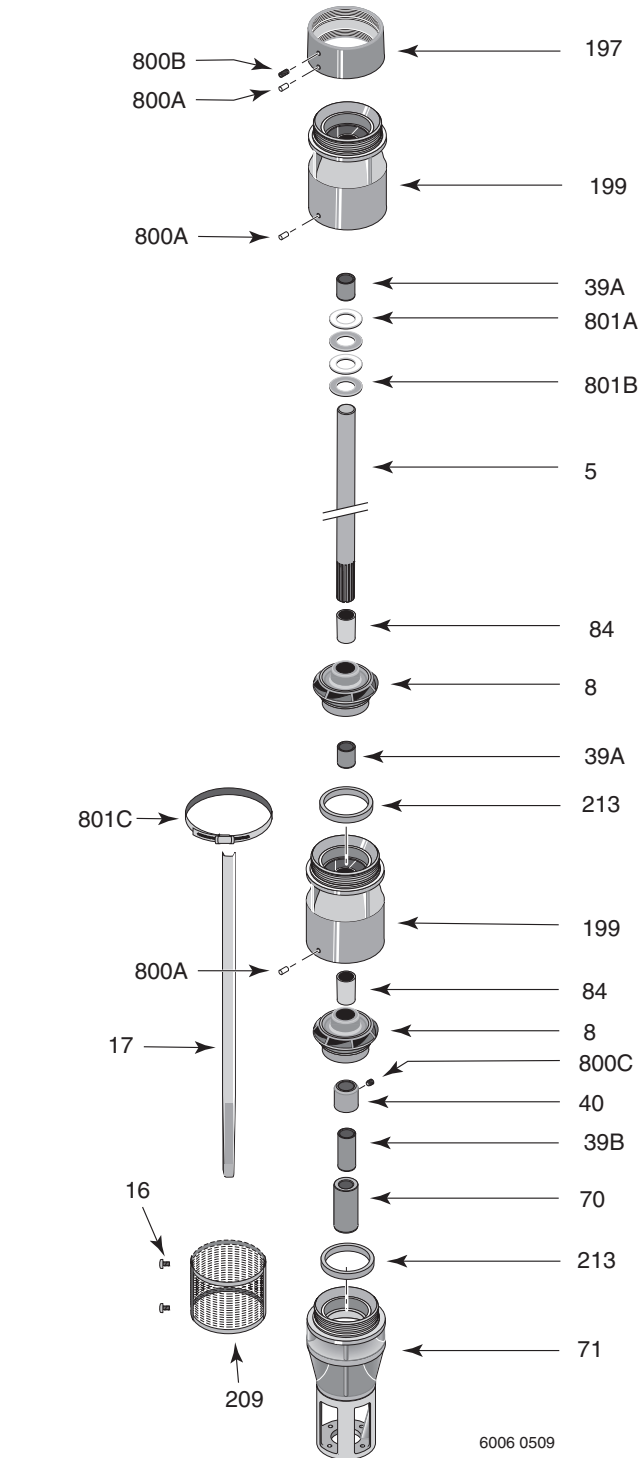


BERKELEY® 8T-950 6" Motors

Threaded Bowls



6006 0509

Section	ST
Page	240.1
Date	May 01, 2013
Supersedes 05/27/09	

Item No.	Part Description	Part Number
5	Pump Shaft	See 240.2
8	Impeller	See 240.2
16	Pop Rivet, 5/32" x 3/8" lg. 304SS (2 Req.)	M10172
39A	Bearing, 8T-900 (2 Stages and up)	M14206
39B	Bearing, Bronze 1-3/16 x 1-1/2 x 3"	819124072
40	Sand Collar, 1-3/16" Bronze	300755319
70	Shaft Coupling, 1"	387630500
71	Inlet Adapter, 8T-950 6" Motor	M14109
84	Collet, 8T	M14200
197	Discharge Adapter, 8T-950 6" NPT	M14209
199	Bowl, 8T	M14829
209	Inlet Screen	308772500
213	Wear Ring, 8T	M14205
800A	Dowel Pin, 1/8 x 3/8" 303S (1 Req. per Stage)	S29766
800B	Set Screw, Hex Socket 3/8-16 x 1/2"	S24289
800C	Set Screw, Hex Socket 3/8-16 x 3/8"	S24287
801A	Upthrust Washer, 1/8" Brass	M14726
801B	Upthrust Washer, 1/8" SS	M14725
801C	Cable Guard Clamp, 1-1/2" (2 Req.)	M09145
•	Bolt Kit, 6" Motor	B69659
•	Pop Rivet, 0.093" x 0.22" lg. (2 Req.)	M10199
•	Nameplate	M12165
•	Owner's Manual	BE972

• Not illustrated.

Additional Staging

(Quantity: 1 each per stage except Dowel Pins)

Item No.	Part Number	Part Description
39A	M14206	Bearing, 8T-900
84	M14200	Collet, 8T
199	M14829	Bowl, 8T
213	M14205	Wear Ring, 8T
800A	S29766	Dowel Pin, 1/8 x 3/8 303 SS (2 Req.)

Cable Guard Length* (See Key #17)

Stages	1	2	3
Length (In.)	22.78	29.27	35.77

* Sold in 12' lengths only, Part Number 308666000.

BERKELEY® 8T-950

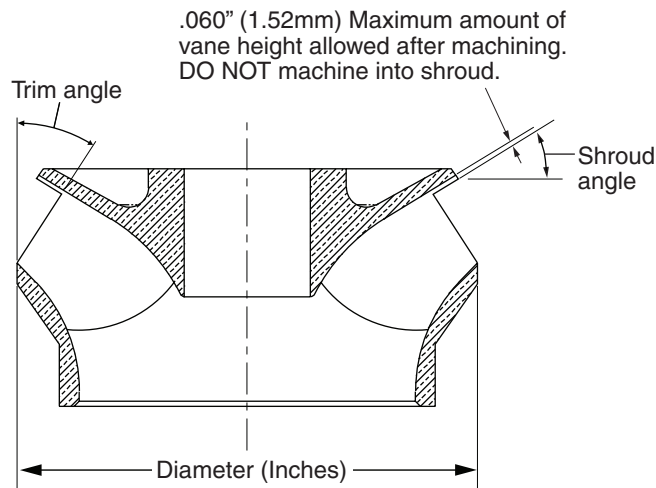
6" Motors

Threaded Bowls

Section	ST
Page	240.2
Date	May 01, 2013
Supersedes 04/28/09	

Available Impellers

Description	Part Number	Size (In.)	Trim Angle	Shroud Angle
"A" Full Trim	LV4455125 2660F	6.34 x 5.262	33°	-
"B" Trim	M15910	6.174 x 5.096	33°	31.6°
"C" Trim	M15967	5.82 x 4.634	33°	31.6°
"D" Trim	M15911	5.769 x 4.583	33°	31.6°



Note: DO NOT trim back shroud.

5990 0409

8T-950 Impeller Specifications

Catalog Number	Horsepower	416 SS Shaft§	Primary Trims	Part Number†	Trim (In.)	Secondary Trim	Part Number†	Secondary Trim (In.)
B86221	15	M14430	1	M15911	5.769 x 4.583	-	-	-
B86222	20	M14430	1	M15910	6.174 x 5.096	-	-	-
B86223	25	M14430	1	LV4455125 2660F	6.34 x 5.262	-	-	-
B86224	30	M14431	2	M15911	5.769 x 4.583	-	-	-
B86225	40	M14431	2	M15910	6.174 x 5.096	-	-	-
B86227	50	M14432	3	M15967	5.82 x 4.634	-	-	-
B86229	60	M14432	2	LV4455125 2660F	6.34 x 5.262	1	M15967	5.82 x 4.634

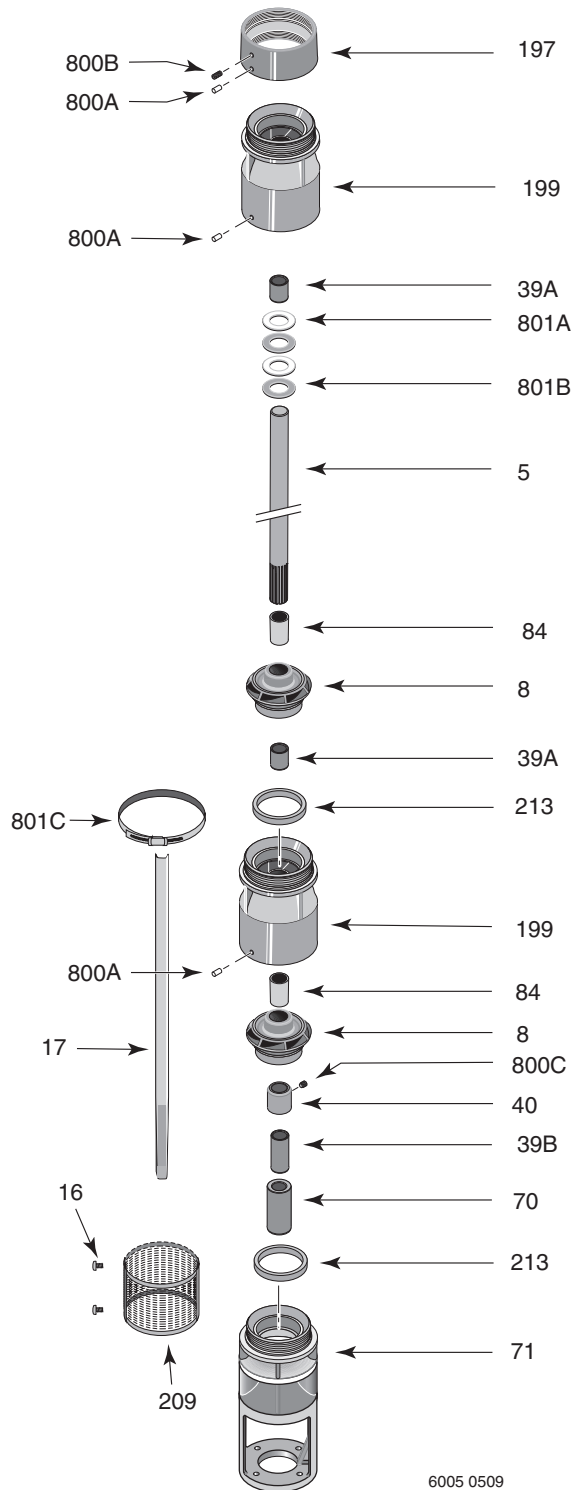
† Key #8 – Impeller.

§ Key #5 – Pump Shaft.



BERKELEY® 8T-950 8" Motors

Threaded Bowls



6005 0509

Section	ST
Page	250.1
Date	May 01, 2013
Supersedes 12/02/09	

Item No.	Part Description	Part Number
5	Pump Shaft	See 250.2
8	Impeller	See 250.2
16	Pop Rivet, 5/32" x 3/8" lg. 304SS (2 Req.)	M10172
39A	Bearing, 8T-900 (2 Stages and up)	M14206
39B	Bearing, Bronze 1-3/16 x 1-1/2 x 3"	819124072
40	Sand Collar, 1-3/16" Bronze	300755319
70	Shaft Coupling 1-3/16" ID 416SS	S32705
71	Inlet Adapter, 8T-950 8" Motor	M14111
84	Collet, 8T	M14200
197	Discharge Adapter, 8T-950 6" NPT	M14209
199	Bowl, 8T	M14829
209	Inlet Screen	M09274
213	Wear Ring, 8T	M14205
800A	Dowel Pin, 1/8 x 3/8" 303S (1 Req. per Stage)	S29766
800B	Set Screw, Hex Socket 3/8-16 x 1/2"	S24289
800C	Set Screw, Hex Socket 3/8-16 x 3/8"	S24287
801A	Upthrust Spacer, 1/8" Brass	M14726
801B	Upthrust Spacer, 1/8" SS	M14725
801C	Cable Guard Clamp, 1-1/2" [2 Req.]	M09145
	• Capscrew, Hex 5/8-11x2-1/4" SS (4 Req.)	10677
	• Pop Rivet, 0.093" x 0.22" lg. [2 Req.]	M10199
	• Nameplate	M12165
	• Owner's Manual	BE972

• Not illustrated.

Additional Staging (Quantity: 1 each per stage except Dowel Pins)

Item No.	Part Number	Part Description
39A	M14206	Bearing, 8T-900
84	M14200	Collet, 8T
199	M14829	Bowl, 8T
213	M14205	Wear Ring, 8T
800A	S29766	Dowel Pin, 1/8 x 3/8 303 SS (2 Req.)

Cable Guard Length* (See Key #17)

Stages	2	3	4	5	6	7	8	9
Length (In.)	29.9	36.62	43.38	50.12	56.86	63.6	70.34	77.08

* Sold in 12' lengths only, Part Number M10252.

BERKELEY® 8T-950

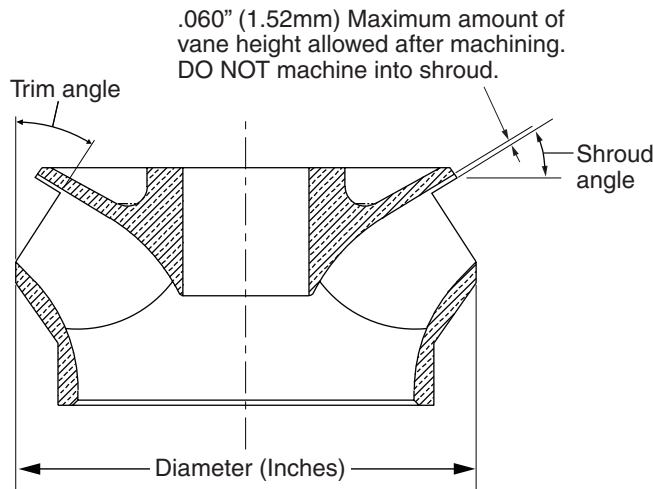
8" Motors

Threaded Bowls

Section	ST
Page	250.2
Date	May 01, 2013
Supersedes 04/28/09	

Available Impellers

Description	Part Number	Size (In.)	Trim Angle	Shroud Angle
"A" Full Trim	LV4455125 2660F	6.34 x 5.262	33°	-
"B" Trim	M15910	6.174 x 5.096	33°	31.6°
"C" Trim	M15967	5.82 x 4.634	33°	31.6°
"D" Trim	M15911	5.769 x 4.583	33°	31.6°



Note: DO NOT trim back shroud.

8T-950 Impeller Specifications

Catalog Number	Horsepower	416 SS Shaft§	Primary Trims	Part Number†	Trim (In.)	Secondary Trim	Part Number†	Secondary Trim (In.)
B86226	40	M14433	2	M15910	6.174 x 5.096	-	-	-
B86228	50	M14434	3	M15967	5.82 x 4.634	-	-	-
B86230	60	M14434	2	LV4455125 2660F	6.340 X 5.262	1	M15967	5.82 x 4.634
B86231	75	M14435	2	LV4455125 2660F	6.340 X 5.262	2	M15911	5.769 x 4.583
B86232	100	M14436	3	LV4455125 2660F	6.340 X 5.262	2	M15911	5.769 x 4.583
B86233	125	M14437	3	LV4455125 2660F	6.340 X 5.262	3	M15910	6.174 X 5.096
B86234	150	M14801	6	LV4455125 2660F	6.340 X 5.262	1	M15910	6.174 X 5.096
B86235	175	M14802	8	LV4455125 2660F	6.340 X 5.262	-	-	-
B86236	200	M15973	9	LV4455125 2660F	6.340 X 5.262	-	-	-

† Key #8 – Impeller.
§ Key #5 – Pump Shaft.

