



Submersible Turbine Repair Parts

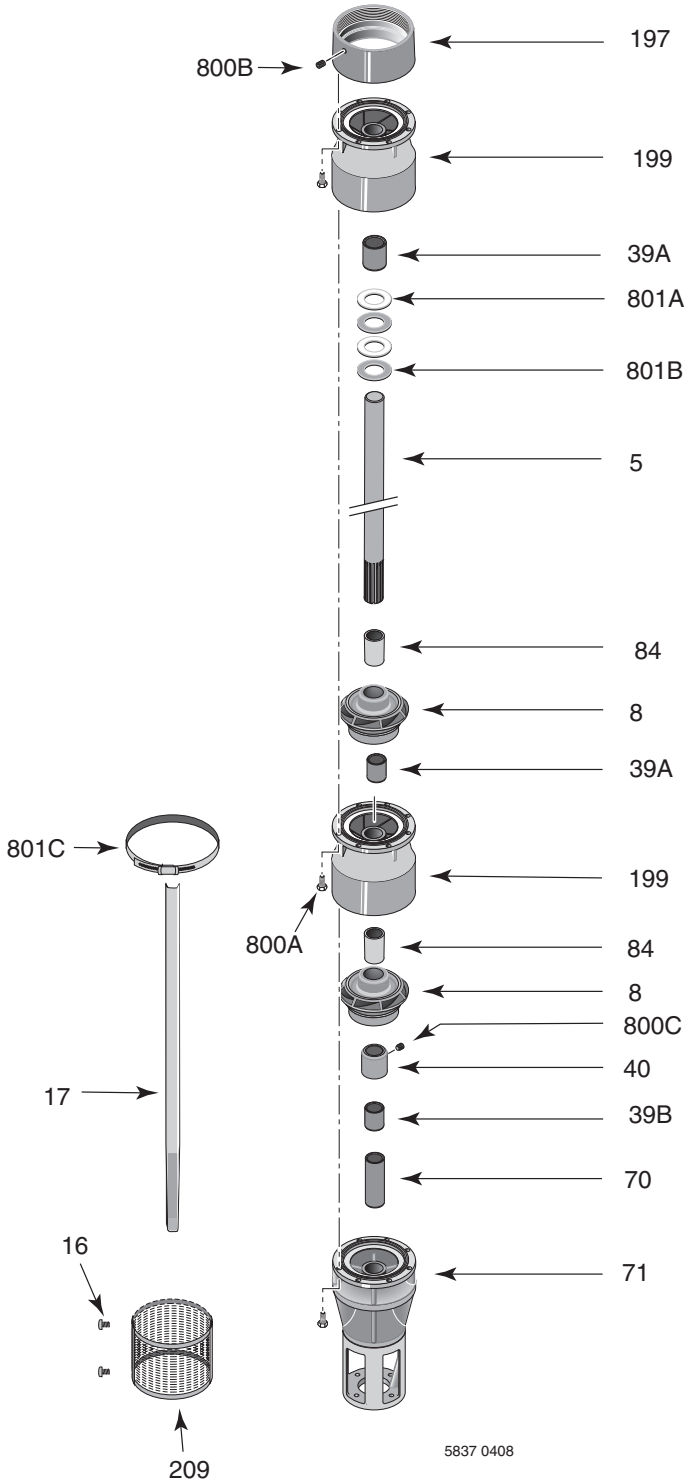
Section	ST
Page	220.1
Date	May 27, 2009
Supersedes 4/22/08	

Flanged Bowls

8T-750

6" Motors

8T-750 Common Parts Groups Repair Parts List



Item No.	Part Description	Part Number
16	Pop Rivet, 5/32" x 3/8" lg. 304SS (2 Req.)	M10172
39A	Bearing, 8T (2 Stages and up)	M14199
39B	Bearing, Bronze 1-3/16 x 1-1/2 x 3"	819124072
40	Sand Collar, 1-3/16" Bronze	300755319
70	Shaft Coupling, 1"	387630500
71	Inlet Adapter, 8T-550/650/750 6" Motor	M14108
84	Collet, 8T	M14200
197	Discharge Adapter, 8T-550/650/750 6" NPT	M14207
199	Bowl, 8T	M14198
209	Inlet Screen	308772500
800A	Capscrew, Hex 3/8-16 x 1" 303SS	S23566
800B	Set Screw, Hex Socket 3/8-16 x 1/2"	S24289
800C	Set Screw, Hex Socket 3/8-16 x 3/8"	S24287
801A	Upthrust Washer, 1/8" Brass	M14726
801B	Upthrust Washer, 1/8" SS	M14725
801C	Cable Guard Clamp, 1-1/2" (2 Req.)	M09145
	• Tag, Sub Turbine Upthrust Adjustment	M09970
	• Bolt Kit, 6" Motor	B69659
	• Pop Rivet, 0.093" x 0.22" lg. (2 Req.)	M10199
	• Nameplate	M12165
	• Owner's Manual	BE215

• Not illustrated.

Additional Staging

(Quantity: 1 each per stage except Capscrew)

Item Number	Part Number	Part Description
39A	M14199	Bearing, 8T
84	M14200	Collet, 8T
199	M14828	Bowl, 8T
800A	S23566	Capscrew, Hex 3/8-16x 1" 303 SS (8 Req.)

Cable Guard Length*

(See Key #17)

Stages	Length (In.)
1	22.78
2	29.27
3	35.77
4	42.28
5	48.77

* Sold in 12' lengths only, Part Number 308666000.

Consult owner's manual for correct assembly and adjustment procedures.



Submersible Turbine Repair Parts

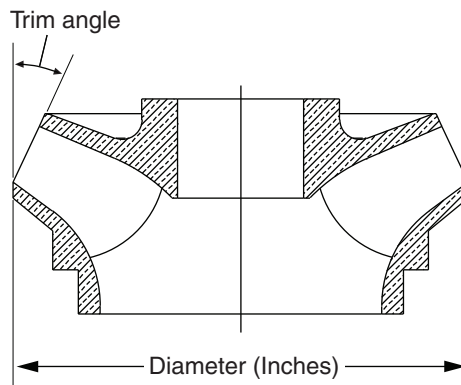
Section	ST
Page	220.2
Date	April 28, 2009
Supersedes 11/1/05	

Flanged Bowls

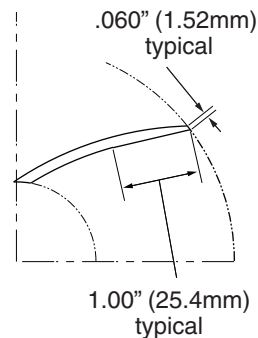
8T-750
6" Motors

Available Impellers*

Description	Part Number	Size (In.)	Trim Angle
"A" Full Trim	M14195	5.97	25°
"B" 5% Trim	M14196	5.75	25°
"C" 10% Trim	M14197	5.50	25°



Note: Trim both front and back shrouds.



Note: Back file all vanes after trimming.

8T-750 Impeller Specifications

Catalog Number	Horsepower	416 SS Shaft§	Primary Trims	Part Number†	Trim (In.)	Secondary Trim	Part Number†	Trim (In.)
B82963	20	M14419	1	M14196	5.75			
B82964	25	M14419	1	M14195	5.97			
B82966	40	M14420	2	M14196	5.75			
B82968	50	M14421	3	M14197	5.50			
B82970	60	M14421	2	M14195	5.97	1	M14197	5.50

† Key #8 – Impeller.

§ Key #5 – Pump Shaft.



Submersible Turbine Repair Parts

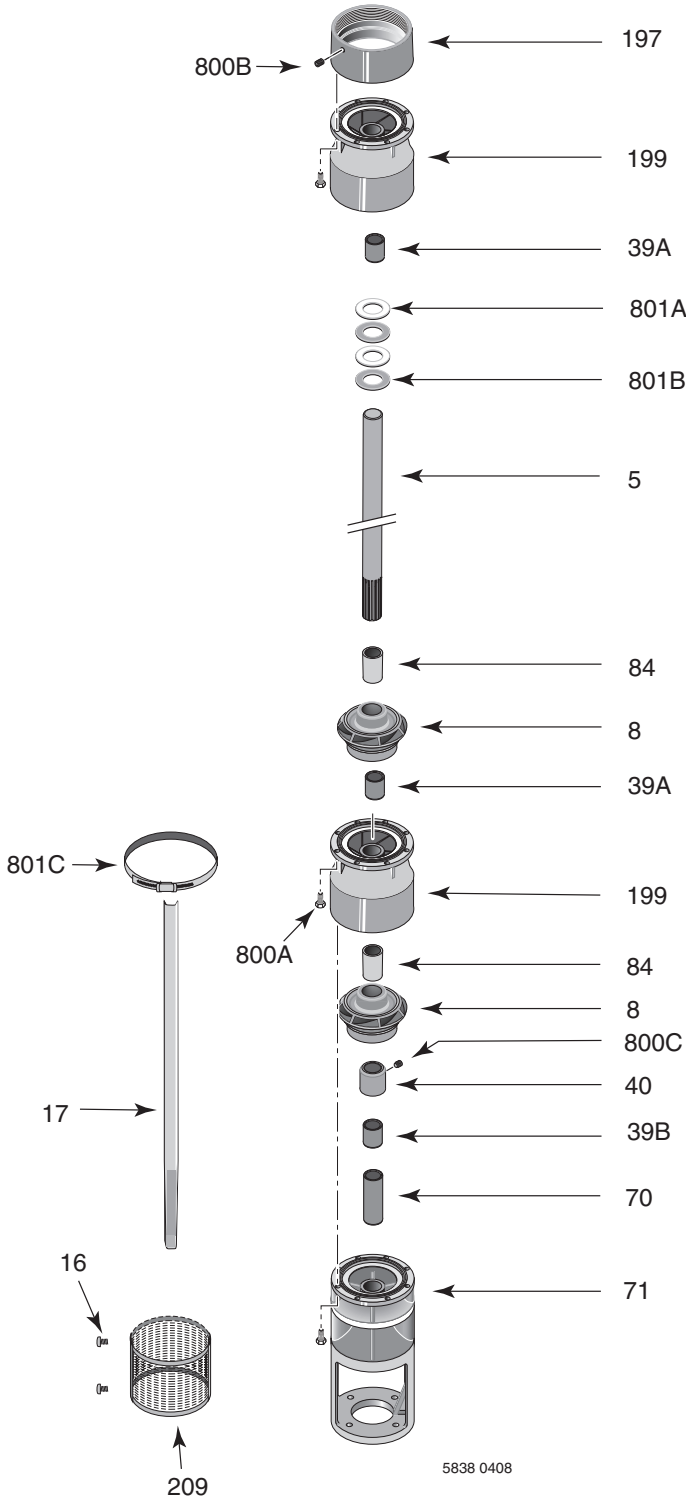
Section	ST
Page	230.1
Date	May 27, 2009
Supersedes 4/22/08	

Flanged Bowls

8T-750

8" Motors

8T-750 Common Parts Groups Repair Parts List



Item No.	Part Description	Part Number
16	Pop Rivet, 5/32" x 3/8" lg. 304SS (2 Req.)	M10172
39A	Bearing, 8T (2 Stages and up)	M14199
39B	Bearing, Bronze 1-3/16 x 1-1/2 x 3"	819124072
40	Sand Collar, 1-3/16" Bronze	300755319
70	Shaft Coupling 1-3/16 ID 416SS	S32705
71	Inlet Adapter, 8T-550/650/750 8" Motor	M14110
84	Collet, 8T	M14200
197	Discharge Adapter, 8T-550/650/750 6" NPT	M14207
199	Bowl, 8T	M14198
209	Inlet Screen	308772500
800A	Capscrew, Hex 3/8-16 x 1" 303SS	S23566
800B	Set Screw, Hex Socket 3/8-16 x 1/2"	S24289
800C	Set Screw, Hex Socket 3/8-16 x 3/8"	S24287
801A	Upthrust Washer, 1/8" Brass	M14726
801B	Upthrust Washer, 1/8" SS	M14725
801C	Cable Guard Clamp, 1-1/2" (2 Req.)	M09145
	• Tag, Sub Turbine Upthrust Adjustment	M09970
	• Capscrew, Hex 5/8-11 x 2-1/4" SS (4 Req.)	10677
	• Pop Rivet, 0.093" x 0.22" lg. (2 Req.)	M10199
	• Nameplate	M12165
	• Owner's Manual	BE215

• Not illustrated.

Additional Staging

(Quantity: 1 each per stage except Capscrew)

Item Number	Part Number	Part Description
39A	M14199	Bearing, 8T
84	M14200	Collet, 8T
199	M14828	Bowl, 8T
800A	S23566	Capscrew, Hex 3/8-16x 1" 303 SS (8 Req.)

Cable Guard Length*

(See Key #17)

Stages	Length (In.)
2	51.25
3	36.98
4	43.75
5	50.48
6	55.62
7	62.92

* Sold in 12' lengths only, Part Number M10252.

Consult owner's manual for correct assembly and adjustment procedures.



Submersible Turbine Repair Parts

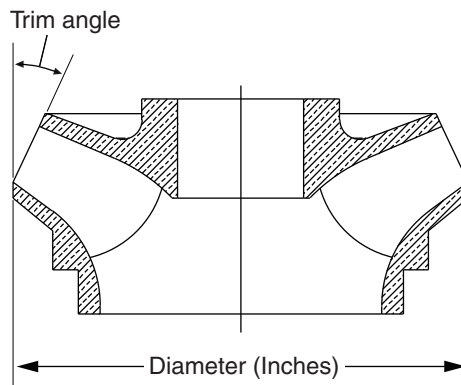
Section	ST
Page	230.2
Date	April 28, 2009
Supersedes 11/1/05	

Flanged Bowls

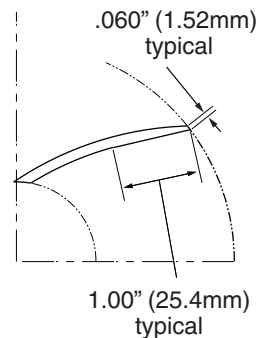
8T-750
8" Motors

Available Impellers*

Description	Part Number	Size (In.)	Trim Angle
"A" Full Trim	M14195	5.97	25°
"B" 5% Trim	M14196	5.75	25°
"C" 10% Trim	M14197	5.50	25°



Note: Trim both front and back shrouds.



Note: Back file all vanes after trimming.

8T-750 Impeller Specifications

Catalog Number	Horsepower	416 SS Shaft§	Primary Trims	Part Number†	Trim (In.)	Secondary Trim	Part Number†	Trim (In.)
B82967	40	M14424	2	M14197	5.50			
B82969	50	M14425	3	M14197	5.50			
B82971	60	M14425	2	M14195	5.97	1	M14197	5.50
B82972	75	M14426	2	M14195	5.97	2	M14197	5.50
B82973	100	M14427	3	M14195	5.97	2	M14197	5.50
B82974	125	M14428	5	M14195	5.97	1	M14197	5.50
B82975	150	M14429	7	M14195	5.97			

† Key #8 – Impeller.

§ Key #5 – Pump Shaft.