



Submersible Turbine Repair Parts

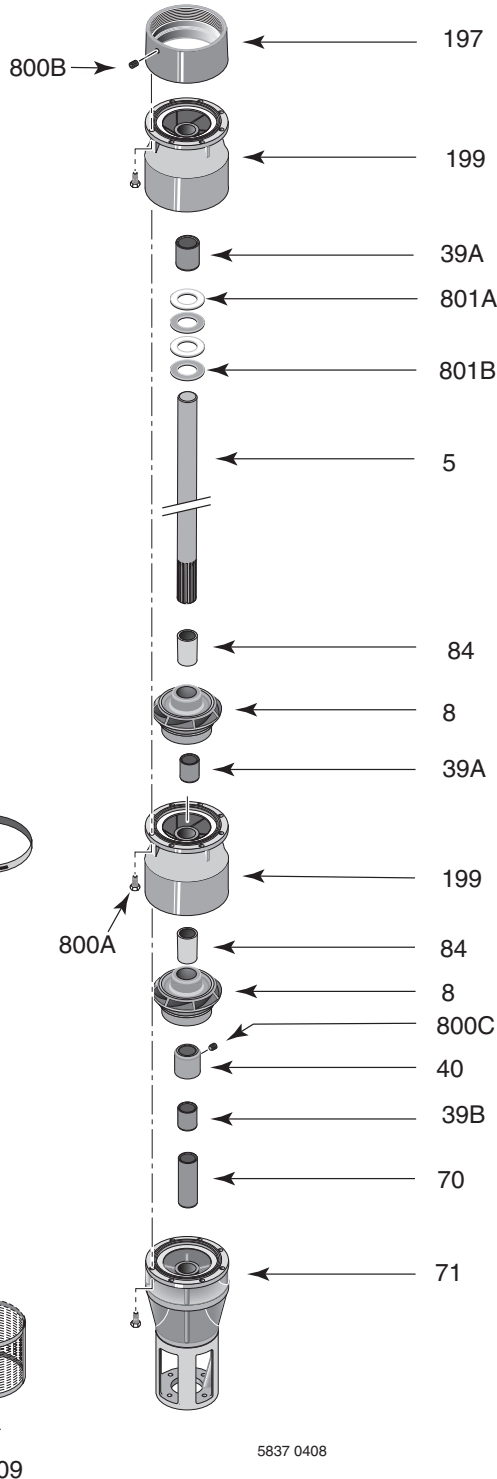
Section	ST
Page	200.1
Date	May 27, 2009
Supersedes 4/22/08	

Flanged Bowls

8T-650

6" Motors

8T-650 Common Parts Groups Repair Parts List



Item No.	Part Description	Part Number
16	Pop Rivet, 5/32" x 3/8" lg. 304SS (2 Req.)	M10172
39A	Bearing, 8T (2 Stages and up)	M14199
39B	Bearing, Bronze 1-3/16 x 1-1/2 x 3"	819124072
40	Sand Collar, 1-3/16" Bronze	300755319
70	Shaft Coupling, 1"	387630500
71	Inlet Adapter, 8T-550/650/750 6" Motor	M14108
84	Collet, 8T	M14200
197	Discharge Adapter, 8T-550/650/750 6" NPT	M14207
199	Bowl, 8T	M14198
209	Inlet Screen	308772500
800A	Capscrew, Hex 3/8-16 x 1" 303SS	S23566
800B	Set Screw, Hex Socket 3/8-16 x 1/2"	S24289
800C	Set Screw, Hex Socket 3/8-16 x 3/8"	S24287
801A	Upthrust Spacer, 1/8" Brass	M14726
801B	Upthrust Spacer, 1/8" SS	M14725
801C	Cable Guard Clamp, 1-1/2" (2 Req.)	M09145
	• Tag, Sub Turbine Upthrust Adjustment	M09970
	• Bolt Kit, 6" Motor	B69659
	• Pop Rivet, 0.093" x 0.22" lg. (2 Req.)	M10199
	• Nameplate	M12165
	• Owner's Manual	BE215

• Not illustrated.

Additional Staging

(Quantity: 1 each per stage except Capscrew)

Item Number	Part Number	Part Description
39A	M14199	Bearing, 8T
84	M14200	Collet, 8T
199	M14828	Bowl, 8T
800A	S23566	Capscrew, Hex 3/8-16x 1" 303 SS (8 Req.)

Cable Guard Length*

(See Key #17)

Stages	Length (In.)
1	22.78
2	29.27
3	35.77
4	42.28

* Sold in 12' lengths only, Part Number 308666000.

Consult owner's manual for correct assembly and adjustment procedures.



Submersible Turbine Repair Parts

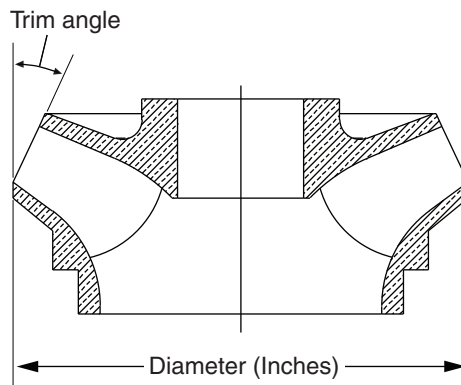
Section	ST
Page	200.2
Date	April 28, 2009
Supersedes 11/1/05	

Flanged Bowls

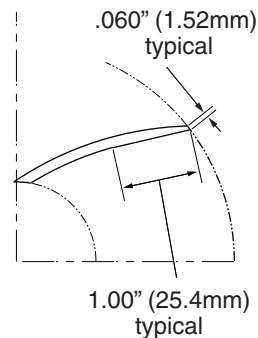
8T-650
6" Motors

Available Impellers*

Description	Part Number	Size (In.)	Trim Angle
"A" Full Trim	M14192	5.97	25°
"B" 5% Trim	M14193	5.75	25°
"C" 10% Trim	M14194	5.50	25°



Note: Trim both front and back shrouds.



Note: Back file all vanes after trimming.

8T-650 Impeller Specifications

Catalog Number	Horsepower	416 SS Shaft§	Primary Trims	Part Number†	Trim (In.)	Secondary Trim	Part Number†	Trim (In.)
B82951	15	M14419	1	M14193	5.75			
B82952	20	M14419	1	M14192	5.97			
B82953	25	M14420	2	M14194	5.50			
B82954	30	M14420	2	M14193	5.75			
B82955	40	M14421	1	M14193	5.75	2	M14194	5.50
B82957	50	M14421	3	M14192	5.97			
B82959	60	M14422	4	M14193	5.75			

† Key #8 – Impeller.

§ Key #5 – Pump Shaft.



Submersible Turbine Repair Parts

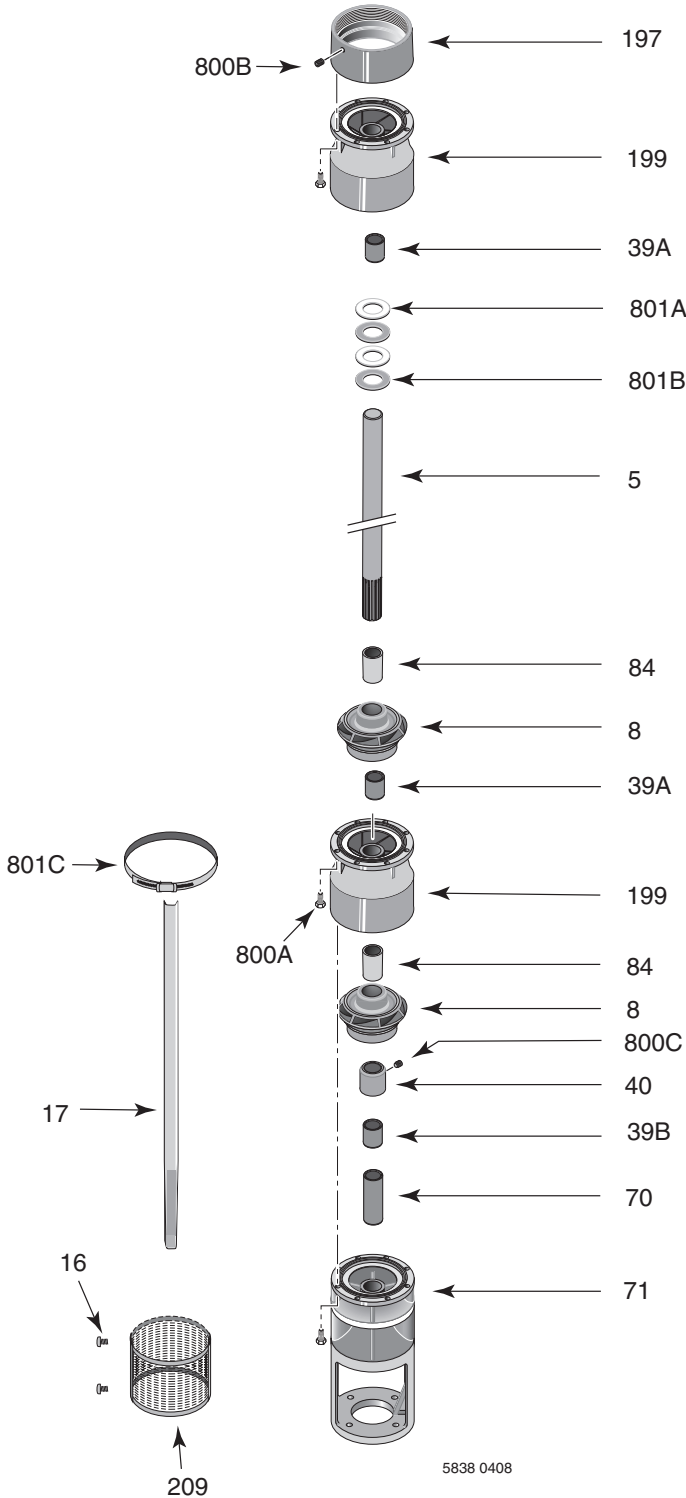
Section	ST
Page	210.1
Date	May 27, 2009
Supersedes 4/22/08	

Flanged Bowls

8T-650

8" Motors

8T-650 Common Parts Groups Repair Parts List



Item No.	Part Description	Part Number
16	Pop Rivet, 5/32" x 3/8" lg. 304SS (2 Req.)	M10172
39A	Bearing, 8T (2 Stages and up)	M14199
39B	Bearing, Bronze 1-3/16 x 1-1/2 x 3"	819124072
40	Sand Collar, 1-3/16" Bronze	300755319
70	Shaft Coupling, 1-3/16" ID 416SS	S32705
71	Inlet Adapter, 8T-550/650/750 8" Motor	M14110
84	Collet, 8T	M14200
197	Discharge Adapter, 8T-550/650/750 6" NPT	M14207
199	Bowl, 8T	M14198
209	Inlet Screen	308772500
800A	Capscrew, Hex 3/8-16 x 1" 303SS	S23566
800B	Set Screw, Hex Socket 3/8-16 x 1/2"	S24289
800C	Set Screw, Hex Socket 3/8-16 x 3/8"	S24287
801A	Upthrust Spacer, 1/8" Brass	M14726
801B	Upthrust Spacer, 1/8" SS	M14725
801C	Cable Guard Clamp, 1-1/2" (2 Req.)	M09145
	• Capscrew, Hex 5/8-11 x 2-1/4" SS (4 Req.)	10677
	• Tag, Sub Turbine Upthrust Adjustment	M09970
	• Pop Rivet, 0.093" x 0.22" lg. (2 Req.)	M10199
	• Nameplate	M12165
	• Owner's Manual	BE215

• Not illustrated.

Additional Staging

(Quantity: 1 each per stage except Capscrew)

Item Number	Part Number	Part Description
39A	M14199	Bearing, 8T
84	M14200	Collet, 8T
199	M14828	Bowl, 8T
800A	S23566	Capscrew, Hex 3/8-16x 1" 303 SS (8 Req.)

Cable Guard Length*

(See Key #17)

Stages	Length (In.)
3	36.98
4	43.75
5	50.48
6	55.62

* Sold in 12' lengths only, Part Number M10252.

Consult owner's manual for correct assembly and adjustment procedures.



Submersible Turbine Repair Parts

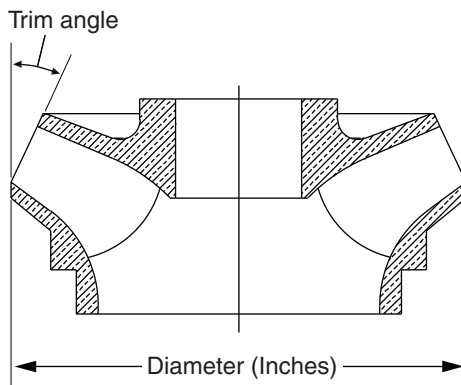
Section	ST
Page	210.2
Date	April 28, 2009
Supersedes 11/1/05	

Flanged Bowls

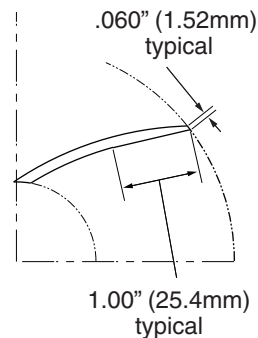
8T-650
8" Motors

Available Impellers*

Description	Part Number	Size (In.)	Trim Angle
"A" Full Trim	M14192	5.97	25°
"B" 5% Trim	M14193	5.75	25°
"C" 10% Trim	M14194	5.50	25°



Note: Trim both front and back shrouds.



Note: Back file all vanes after trimming.

8T-650 Impeller Specifications

Catalog Number	Horsepower	416 SS Shaft§	Primary Trims	Part Number†	Trim (In.)	Secondary Trim	Part Number†	Trim (In.)
B82956	40	M14425	1	M14193	5.75	2	M14194	5.50
B82958	50	M14425	3	M14192	5.97			
B82960	60	M14426	4	M14193	5.75			
B82961	75	M14427	3	M14192	5.97	2	M14194	5.50
B82962	100	M14428	6	M14192	5.97			

† Key #8 – Impeller.

§ Key #5 – Pump Shaft.