



# Submersible Turbine Repair Parts

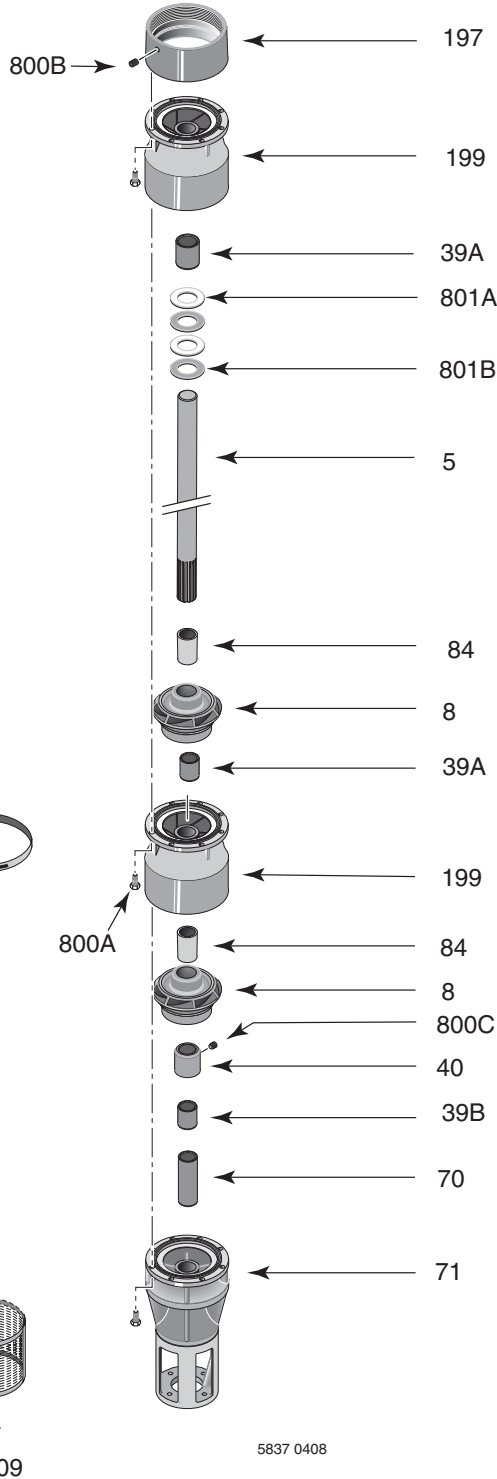
Section	ST
Page	180.1
Date	May 27, 2009
Supersedes 4/22/08	

## Flanged Bowls

## 8T-550

## 6" Motors

### 8T-550 Common Parts Groups Repair Parts List



Item No.	Part Description	Part Number
16	Pop Rivet, 5/32" x 3/8" lg. 304SS (2 Req.)	M10172
39A	Bearing, 8T (2 Stages and up)	M14199
39B	Bearing, Bronze 1-3/16 x 1-1/2 x 3"	819124072
40	Sand Collar, 1-3/16" Bronze	300755319
70	Shaft Coupling, 1"	387630500
71	Inlet Adapter, 8T-550/650/750 6" Motor	M14108
84	Collet, 8T	M14200
197	Discharge Adapter, 8T-550/650/750 6" NPT	M14207
199	Bowl, 8T	M14198
209	Inlet Screen	308772500
800A	Capscrew, Hex 3/8-16 x 1" 303SS	S23566
800B	Set Screw, Hex Socket 3/8-16 x 1/2"	S24289
800C	Set Screw, Hex Socket 3/8-16 x 3/8"	S24287
801A	Upthrust Spacer, 1/8" Brass	M14726
801B	Upthrust Spacer, 1/8" SS	M14725
801C	Cable Guard Clamp, 1-1/2" (2 Req.)	M09145
	• Tag, Sub Turbine Upthrust Adjustment	M09970
	• Bolt Kit, 6" Motor	B69659
	• Pop Rivet, 0.093" x 0.22" lg. (2 Req.)	M10199
	• Nameplate	M12165
	• Owner's Manual	BE215

• Not illustrated.

### Additional Staging

(Quantity: 1 each per stage except Capscrew)

Item Number	Part Number	Part Description
39A	M14199	Bearing, 8T
84	M14200	Collet, 8T
199	M14828	Bowl, 8T
800A	S23566	Capscrew, Hex 3/8-16x 1" 303 SS (8 Req.)

### Cable Guard Length\*

(See Key #17)

Stages	Length (In.)
1	22.78
2	29.27
3	35.77
4	42.28
5	48.77

\* Sold in 12' lengths only, Part Number 308666000.

Consult owner's manual for correct assembly and adjustment procedures.



# Submersible Turbine Repair Parts

Section	ST
Page	180.2
Date	April 28, 2009
Supersedes 11/1/05	

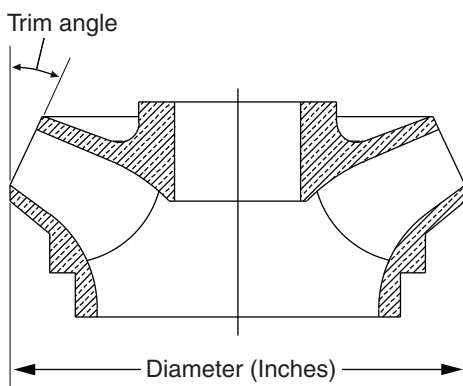
## Flanged Bowls

## 8T-550

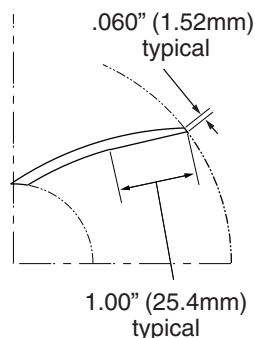
### 6" Motors

### Available Impellers\*

Description	Part Number	Size (In.)	Trim Angle
"A" Full Trim	M14189	5.97	25°
"B" 5% Trim	M14190	5.75	25°
"C" 10% Trim	M14191	5.50	25°



Note: Trim both front and back shrouds.



Note: Back file all vanes after trimming.

### 8T-550 Impeller Specifications

Catalog Number	Horsepower	416 SS Shaft§	Primary Trims	Part Number†	Trim (In.)	Secondary Trim	Part Number†	Trim (In.)
B82938	10	M14419	1	M14191	5.50			
B82939	15	M14419	1	M14189	5.97			
B82940	20	M14420	2	M14191	5.50			
B82941	25	M14420	1	M14189	5.97	1	M14191	5.50
B82942	30	M14420	2	M14189	5.97			
B82943	40	M14421	2	M14189	5.97	1	M14190	5.75
B82945	50	M14422	2	M14189	5.97	2	M14191	5.50
B82947	60	M14423	5	M14190	5.75			

† Key #8 – Impeller.

§ Key #5 – Pump Shaft.



# Submersible Turbine Repair Parts

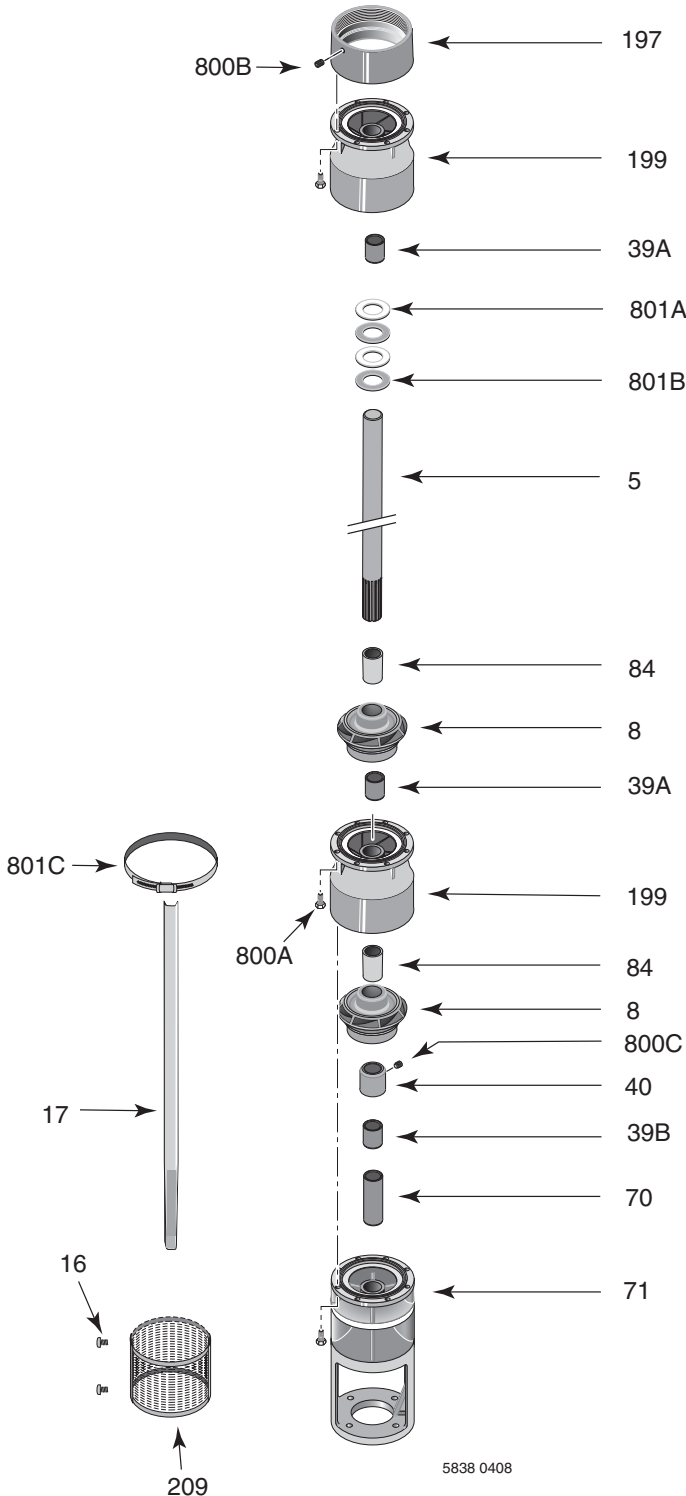
Section	ST
Page	190.1
Date	May 27, 2009
Supersedes 4/22/08	

## Flanged Bowls

## 8T-550

### 8" Motors

### 8T-550 Common Parts Groups Repair Parts List



Item No.	Part Description	Part Number
16	Pop Rivet, 5/32" x 3/8" lg. 304SS (2 Req.)	M10172
39A	Bearing, 8T (2 Stages and up)	M14199
39B	Bearing, Bronze 1-3/16 x 1-1/2 x 3"	819124072
40	Sand Collar, 1-3/16" Bronze	300755319
70	Shaft Coupling, 1-3/16" 416 SS	S32705
71	Inlet Adapter, 8T-550/650/750 8" Motor	M14110
84	Collet, 8T	M14200
197	Discharge Adapter, 8T-550/650/750 6" NPT	M14207
199	Bowl, 8T	M14198
209	Inlet Screen	308772500
800A	Capscrew, Hex 3/8-16 x 1" 303SS	S23566
800B	Set Screw, Hex Socket 3/8-16 x 1/2"	S24289
800C	Set Screw, Hex Socket 3/8-16 x 3/8"	S24287
801A	Upthrust Spacer, 1/8" Brass	M14726
801B	Upthrust Spacer, 1/8" SS	M14725
801C	Cable Guard Clamp, 1-1/2" (2 Req.)	M09145
	• Tag, Sub Turbine Upthrust Adjustment	M09970
	• Capscrew, Hex 5/8-11 x 2-1/4" SS (4 Req.)	10677
	• Pop Rivet, 0.093" x 0.22" lg. (2 Req.)	M10199
	• Nameplate	M12165
	• Owner's Manual	BE215

• Not illustrated.

### Additional Staging

(Quantity: 1 each per stage except Capscrew)

Item Number	Part Number	Part Description
39A	M14199	Bearing, 8T
84	M14200	Collet, 8T
199	M14828	Bowl, 8T
800A	S23566	Capscrew, Hex 3/8-16 x 1" 303SS (8 Req.)

### Cable Guard Length\*

(See Key #17)

Stages	Length (In.)
3	36.98
4	43.75
5	50.48
6	55.62
7	62.92

\* Sold in 12' lengths only, Part Number M10252.

Consult owner's manual for correct assembly and adjustment procedures.



# Submersible Turbine Repair Parts

Section	ST
Page	190.2
Date	April 28, 2009
Supersedes 11/1/05	

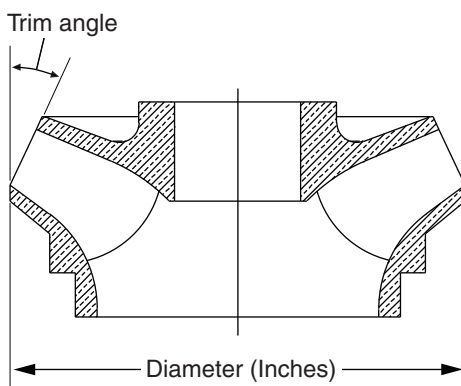
## Flanged Bowls

## 8T-550

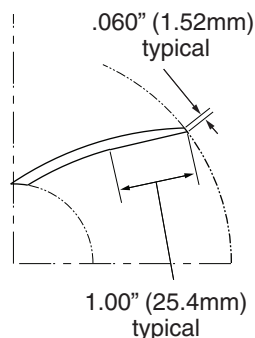
## 8" Motors

### Available Impellers\*

Description	Part Number	Size (In.)	Trim Angle
"A" Full Trim	M14189	5.97	25°
"B" 5% Trim	M14190	5.75	25°
"C" 10% Trim	M14191	5.50	25°



Note: Trim both front and back shrouds.



Note: Back file all vanes after trimming.

### 8T-550 Impeller Specifications

Catalog Number	Horsepower	416 SS Shaft§	Primary Trims	Part Number†	Trim (In.)	Secondary Trim	Part Number†	Trim (In.)
B82944	40	M14425	2	M14189	5.97	1	M14190	5.75
B82946	50	M14426	2	M14189	5.97	2	M14191	5.50
B82948	60	M14427	5	M14190	5.75			
B82949	75	M14428	3	M14189	5.97	3	M14191	5.50
B82950	100	M14429	7	M14189	5.97			

† Key #8 – Impeller.

§ Key #5 – Pump Shaft.