



Submersible Turbine Repair Parts

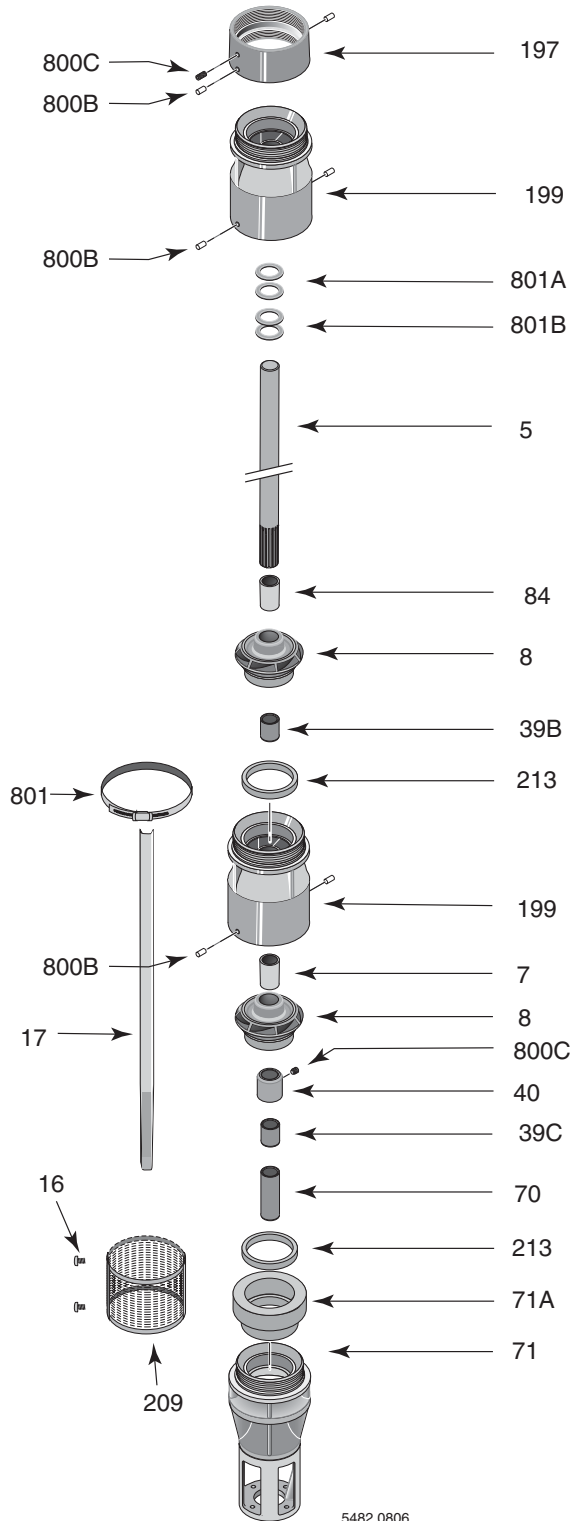
Section	ST
Page	175.1
Date	October 18, 2006
NEW	

Threaded Bowls

8T-200

6" Motors

8T-200 Common Parts Groups Repair Parts List



Item No.	Part Description	Part Number
16	Pop Rivet, 5/32" x 3/8" lg. 304SS (2 Req.)	M10172
39B	Bearing, 8T-200 (2 Stages and up)	M14781
39C	Bearing, Bronze 1-3/16 x 1-1/2 x 3"	819124072
40	Sand Collar, 1-3/16" Bronze	300755319
70	Shaft Coupling, 1"	387630500
71	Inlet Adapter, 8T-200 6" Motor	M14109
71A	Inlet Suction Adapter	M14757
84	Collet, 8T	M14200
197	Discharge Adapter, 8T-200 6" NPT	M14209
199	Bowl, 8T	M14755
209	Inlet Screen	308772500
213	Wear Ring, 8T-200	M14756
800B	Dowel Pin, 1/8 x 3/8" 303S (2 Req. per Stage)	S29766
800C	Set Screw, Hex Socket 3/8-16 x 1/2"	S24289
800D	Set Screw, Hex Socket 3/8-16 x 3/8"	S24287
801	Cable Guard Clamp, 1-1/2" (2 Req.)	M09145
801A	Upthrust Washer 416SS (2 Req.)	M14725
801B	Upthrust Washer Brass (2 Req.)	M14726
	• Tag, Sub Turbine Upthrust Adjustment	M09970
	• Bolt Kit, 6" Motor	B69659
	• Pop Rivet, 0.093" x 0.22" lg. (2 Req.)	M10199
	• Nameplate	M12165
	• Owner's Manual	BE215

• Not illustrated.

Additional Staging

(Quantity: 1 each per stage except Dowel Pins)

Item Number	Part Number	Part Description
39B	M14781	Bearing, 8T-200
84	M14200	Collet, 8T
199	M14755	Bowl, 8T-200
213	M14756	Wear Ring, 8T-200
800B	S29766	Dowel Pin, 1/8 x 3/8 303 SS (2 Req.)

Cable Guard Length*

(See Key #17)

Stages	Length (In.)
1	22.0
2	27.5
3	33.0
4	38.5
6	49.5
7	55.0
8	60.5

* Sold in 12' lengths only, Part Number 308666000.

Consult owner's manual for correct assembly and adjustment procedures.



Submersible Turbine Repair Parts

Section	ST
Page	175.2
Date	October 18, 2006
NEW	

Threaded Bowls

8T-200
6" Motors

Available Impellers*

Description	Part Number	Size (In.)
"A" Full Trim	M14752	6.00
"B" 5% Trim	M14753	5.82
"C" 10% Trim	M14754	5.56

* 16. 75° trim angle.

8T-200 Impeller Specifications

Catalog Number	Horsepower	416 SS Shaft§	Primary Trims	Part Number†	Trim (In.)	Secondary Trim	Part Number†	Trim (In.)
B85452	5	M14739	1	M14754	5.56			
B85453	7.5	M14739	1	M14753	5.82			
B85454	10	M14740	2	M14754	5.56			
B85455	15	M14740	1	M14752	6.00	1	M14753	5.82
B85456	20	M14741	3	M14753	5.82			
B85457	25	M14742	3	M14753	5.82	1	M14754	5.56
B85458	30	M14742	3	M14752	6.00	1	M14753	5.82
B85459	40	M14743	4	M14752	6.00	2	M14754	5.56
B85461	50	M14744	5	M14752	6.00	2	M14754	5.56
B85463	60	M14745	7	M14752	6.00	1	M14753	5.82

† Key #8 – Impeller.

§ Key #5 – Pump Shaft.



Submersible Turbine Repair Parts

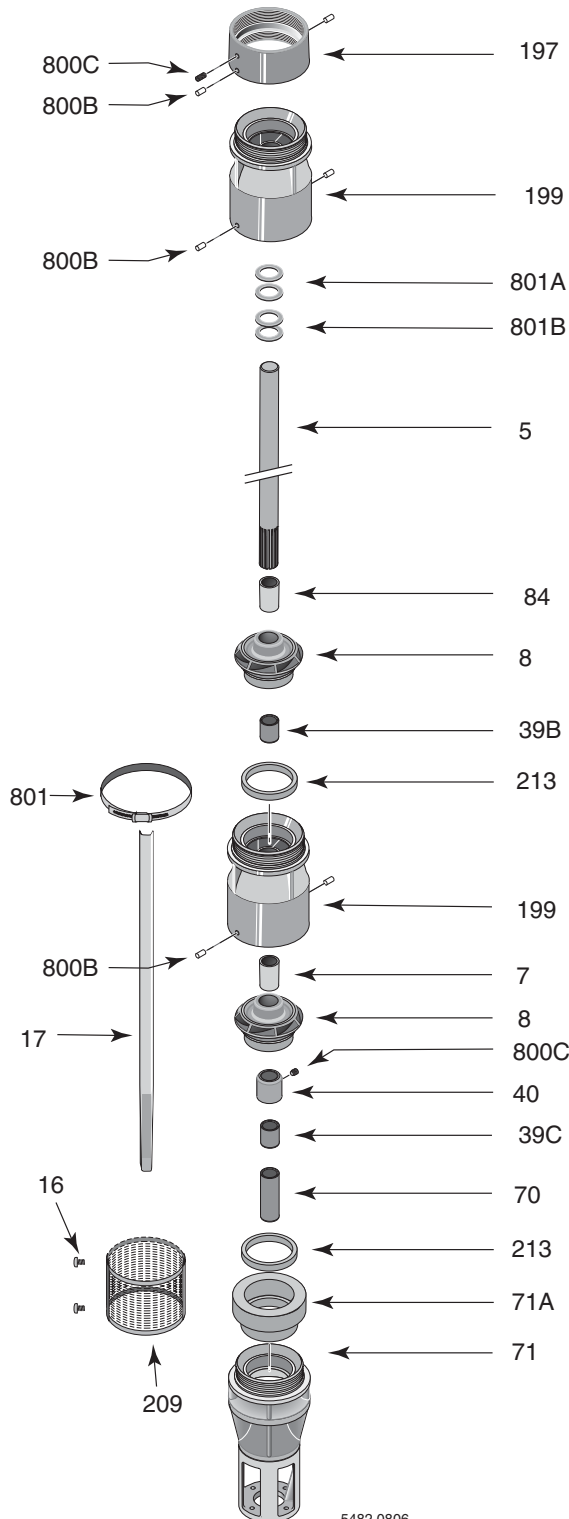
Section	ST
Page	176.1
Date	October 18, 2006
NEW	

Threaded Bowls

8T-200

8" Motors

8T-200 Common Parts Groups Repair Parts List



Item No.	Part Description	Part Number
16	Pop Rivet, 5/32" x 3/8" lg. 304SS (2 Req.)	M10172
39B	Bearing, 8T-200 (2 Stages and up)	M14781
39C	Bearing, Bronze 1-3/16 x 1-1/2 x 3"	819124072
40	Sand Collar, 1-3/16" Bronze	300755319
70	Shaft Coupling 1-3/16" ID 416SS	S32705
71	Inlet Adapter, 8T-200 8" Motor	M14111
71A	Inlet Insert Adapter	M14757
84	Collet, 8T	M14200
197	Discharge Adapter, 8T-200 6" NPT	M14209
199	Bowl, 8T-200	M14755
209	Inlet Screen	M09274
213	Wear Ring, 8T-200	M14756
800B	Dowel Pin, 1/8 x 3/8" 303S (2 Req. per Stage)	S29766
800C	Set Screw, Hex Socket 3/8-16 x 1/2"	S24289
800D	Set Screw, Hex Socket 3/8-16 x 3/8"	S24287
801	Cable Guard Clamp, 1-1/2" (2 Req.)	M09145
801A	Upthrust Washer 416SS (2 Req.)	M14725
801B	Upthrust Washer Brass (2 Req.)	M14726
	• Capscrew, Hex 5/8-11x2-1/4" SS (4 Req.)	10677
	• Pop Rivet, 0.093" x 0.22" lg. (2 Req.)	M10199
	• Nameplate	M12165
	• Owner's Manual	BE215

• Not illustrated.

Additional Staging

(Quantity: 1 each per stage except Dowel Pins)

Item Number	Part Number	Part Description
39B	M14781	Bearing, 8T-200
84	M14200	Collet, 8T
199	M14755	Bowl, 8T-200
213	M14756	Wear Ring, 8T-200
800B	S29766	Dowel Pin, 1/8 x 3/8 303 SS (2 Req.)

Cable Guard Length*

(See Key #17)

Stages	Length (In.)
6	50.25
7	55.75
8	61.25
10	72.25
13	88.75
17	110.75

* M10252, 5' minimum.

Consult owner's manual for correct assembly and adjustment procedures.



Submersible Turbine Repair Parts

Section	ST
Page	176.2
Date	October 18, 2006
NEW	

Threaded Bowls

8T-200

8" Motors

Available Impellers*

Description	Part Number	Size (In.)
"A" Full Trim	M14752	6.00
"B" 5% Trim	M14753	5.82
"C" 10% Trim	M14754	5.56

* 16.75° trim angle.

8T-200 Impeller Specifications

Catalog Number	Horsepower	416 SS Shaft§	Primary Trims	Part Number†	Trim (In.)	Secondary Trim	Part Number†	Trim (In.)
B85460	40	M14746	4	M14752	6.00	2	M14754	5.56
B85462	50	M14747	5	M14752	6.00	2	M14754	5.56
B85464	60	M14748	7	M14752	6.00	1	M14753	5.82
B85465	75	M14749	9	M14752	6.00	1	M14754	5.56
B85466	100	M14750	13	M14752	6.00			
B85467	125	M14751	15	M14752	6.00	2	M14754	5.56

† Key #8 – Impeller.

§ Key #5 – Pump Shaft.



Submersible Turbine Repair Parts

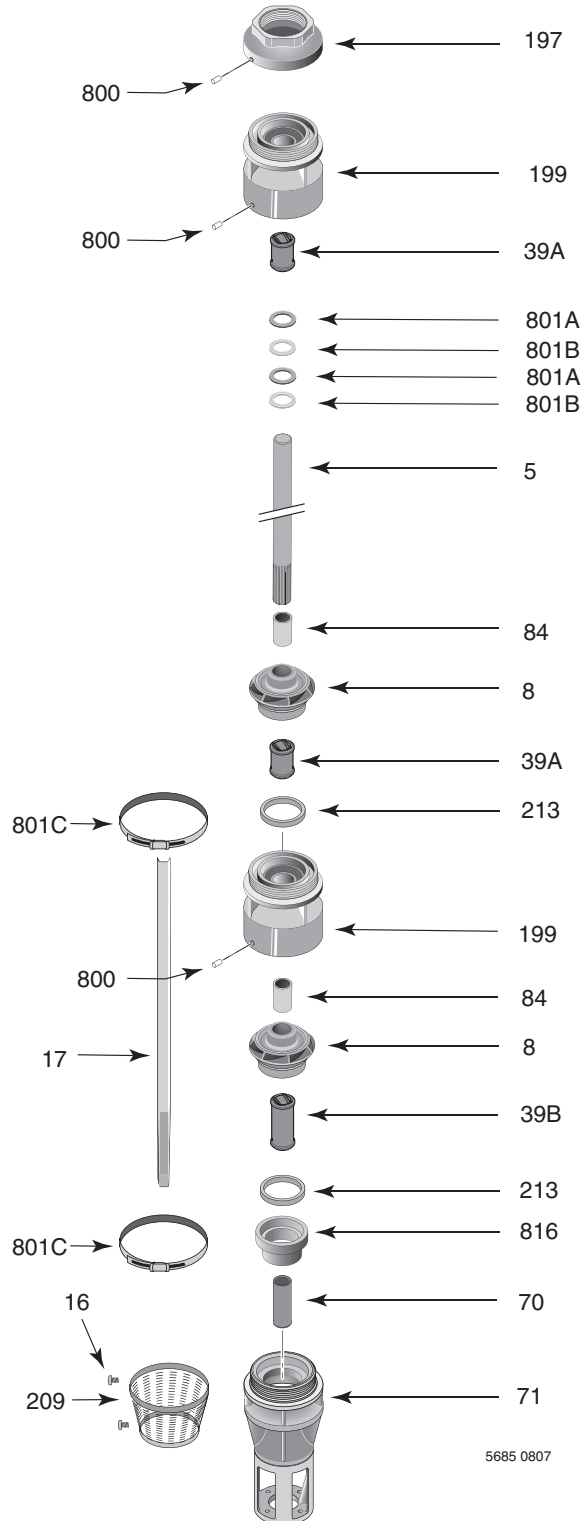
Section	ST
Page	180.01
Date	October 11, 2007
NEW	

Threaded Bowls

8T-200

6" Motors

8T-200 Common Parts Groups Repair Parts List



Item No.	Part Description	Part Number
16	Pop Rivet, 5/32" x 3/8" lg. 304SS (2 Req.)	M10172
39A	Rubber Bowl Bearing	M14916
39B	Rubber Bracket Bearing	M14917
70	Shaft Coupling, 1"	387630500
71	Inlet Adapter, 6" Motor	M14109
84	Collet, 8T	M14200
197	Discharge Adapter, 4" NPT	M14922
199	Bowl, 8T-200	M14755
209	Inlet Screen	308772500
213	Wear Ring	M14756
800	Bowl Pin	S29766
801A	Thrust Washers 416 SS (2 Req.)*	M14725
801B	Thrust Washers Brass (2 Req.)*	M14726
801C	Cable Guard Clamp, 1-1/2" (2 Req.)	M09145
816	Suction Adapter	M14757
	• Tag, Sub Turbine Upthrust Adjustment	M09970
	• Bolt Kit, 6" Motor	B69659
	• Pop Rivet, 0.093" x 0.22" lg. (2 Req.)	M10199
	• Nameplate	M12165
	• Owner's Manual	BE215

* Alternate SS and brass. Quantity may need adjustment to maintain clearance. See Owner's manual.

• Not illustrated.

Additional Staging

(Quantity: 1 each per stage)

Item Number	Part Number	Part Description
39A	M14916	Bearing, 8T
84	M14200	Collet, 8T
199	M14755	Bowl, 8T-200
213	M14756	Wear Ring
800	S29766	Bowl Pin

Item No. 17: Cable Guard*

Stages	Length (In.)
1	22.78
2	29.27
3	35.77
4	42.28
5	48.77

* Sold in 12' lengths only, Part Number 308666000.

Consult owner's manual for correct assembly and adjustment procedures.



Submersible Turbine Repair Parts

Section	ST
Page	180.02
Date	October 11, 2007
NEW	

Threaded Bowls

8T-200

6" Motors

Available Impellers*

Description	Part Number	Size (In.)
"A" Full Trim	M14752	6.00
"B" 5% Trim	M14753	5.82
"C" 10% Trim	M14754	5.56

* 25° trim angle.

8T-200 Impeller Specifications

Catalog Number	Horsepower	Hard Chromed Shaft (Key #5)	No. of Primary Trim Impellers	Part Number (Key #8)	Trim (In.)	No. of Secondary Trim Impellers	Part Number (Key #8)	Trim (In.)
B85452	5	M14739	1	M14754	5.56	–	–	–
B85453	7.5	M14739	1	M14753	5.82	–	–	–
B85454	10	M14740	2	M14754	5.56	–	–	–
B85455	15	M14740	1	M14752	6.00	1	M14753	5.82
B85456	20	M14741	3	M14753	5.82	–	–	–
B85457	25	M14742	3	M14753	5.82	1	M14754	5.56
B85458	30	M14742	2	M14752	6.00	2	M14753	5.82
B85459	40	M14743	2	M14752	6.00	4	M14754	5.56
B85461	50	M14744	5	M14752	6.00	2	M14754	5.56
B85463	60	M14745	7	M14752	6.00	1	M14753	5.82



Submersible Turbine Repair Parts

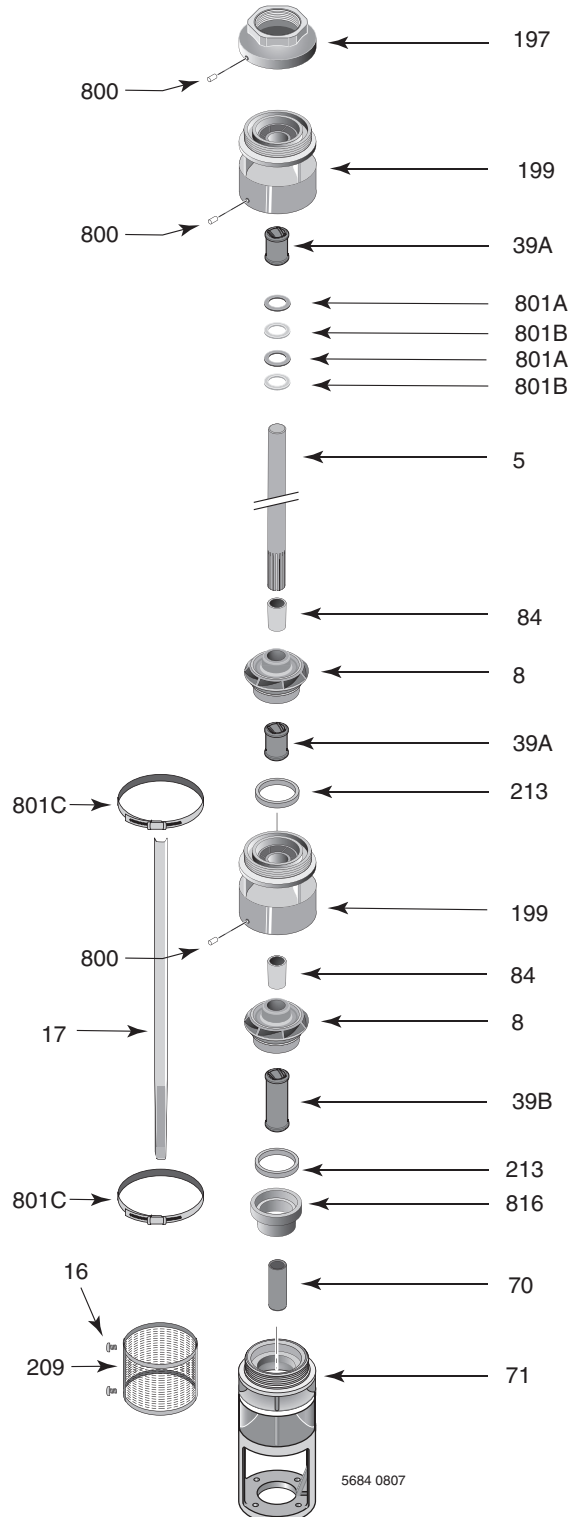
Section	ST
Page	180.03
Date	October 11, 2007
NEW	

Threaded Bowls

8T-200

8" Motors

8T-200 Common Parts Groups Repair Parts List



Item No.	Part Description	Part Number
16	Pop Rivet, 5/32" x 3/8" lg. 304SS (2 Req.)	M10172
39A	Rubber Bowl Bearing	M14916
39B	Rubber Bracket Bearing	M14917
70	Shaft Coupling, 1-3/16" 416 SS	S32705
71	Inlet Adapter 8" Motor	M14111
84	Collet, 8T	M14922
197	Discharge Adapter 4" NPT	M14207
199	Bowl, 8T-200	M14755
209	Inlet Screen	M09274
213	Wear Ring	M14756
800	Bowl Pin	S29766
801A	Thrust Washers 416 SS (2 Req.)*	M14725
801B	Thrust Washers Brass (2 Req.)*	M14726
801C	Cable Guard Clamp, 1-1/2" (2 Req.)	M10192
816	Suction Adapter	M14757
	• Tag, Sub Turbine Upthrust Adjustment	M09970
	• Capscrew, Hex 5/8-11 x 2-1/4" SS (4 Req.)	10677
	• Pop Rivet, 0.093" x 0.22" lg. (2 Req.)	M10199
	• Nameplate	M12165
	• Owner's Manual	BE215

* Alternate SS and brass. Quantity may need adjustment to maintain clearance. See Owner's manual.
• Not illustrated.

Additional Staging

(Quantity: 1 each per stage)

Item Number	Part Number	Part Description
39A	M14916	Bearing, 8T
84	M14200	Collet, 8T
199	M14755	Bowl, 8T
213	M14756	Wear Ring
800	S29766	Bowl Pin

Item No. 17: Cable Guard*

Stages	Length (In.)
3	36.98
4	43.75
5	50.48
6	55.62
7	62.92

* Sold in 12' lengths only, Part Number M10252.

Consult owner's manual for correct assembly and adjustment procedures.



Submersible Turbine Repair Parts

Section	ST
Page	180.04
Date	October 11, 2007
NEW	

Threaded Bowls

8T-200

8" Motors

Available Impellers*

Description	Part Number	Size (In.)
"A" Full Trim	M14752	6.00
"B" 5% Trim	M14753	5.82
"C" 10% Trim	M14754	5.56

* 25° trim angle.

8T-200 Impeller Specifications

Catalog Number	Horsepower	Hard Chromed Shaft (Key #5)	No. of Primary Trim Impellers	Part Number (Key #8)	Trim (In.)	No. of Secondary Trim Impellers	Part Number (Key #8)	Trim (In.)
B85460	40	M14746	4	M14752	6.00	2	M14754	5.56
B85462	50	M14747	5	M14752	6.00	2	M14754	5.56
B85464	60	M14748	7	M14752	6.00	1	M14753	5.82
B85465	75	M14749	9	M14752	6.00	1	M14754	5.56
B85466	100	M14750	13	M14752	6.00	—	—	—
B85467	125	M14751	15	M14752	6.00	2	M14754	5.56