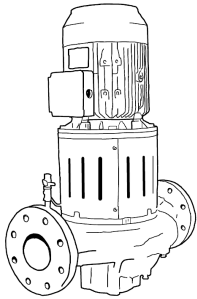


<p><b>JOB:</b></p>   <p><b>UNIT TAG:</b></p> <p><b>ENGINEER:</b></p> <p><b>CONTRACTOR:</b></p>	<p><b>REPRESENTATIVE:</b></p>   <p><b>ORDER NO.</b></p> <p><b>SUBMITTED BY:</b></p> <p><b>APPROVED BY:</b></p>	<p><b>DATE:</b></p> <p><b>DATE:</b></p> <p><b>DATE:</b></p>
---	---	---



# 8x8x9<sup>1</sup>/<sub>2</sub>

## Series 80<sup>®</sup>-SC

Spacer Coupled Vertical  
In-Line Mounted Centrifugal Pumps

**SPECIFICATIONS**

FLOW \_\_\_\_\_ HEAD \_\_\_\_\_

HP \_\_\_\_\_ RPM \_\_\_\_\_

VOLTS \_\_\_\_\_

CYCLE \_\_\_\_\_ PHASE \_\_\_\_\_

ENCLOSURE \_\_\_\_\_

APPROX. WEIGHT \_\_\_\_\_

SPECIALS \_\_\_\_\_

**MATERIALS OF CONSTRUCTION**

BRONZE FITTED     ALL IRON

**WORKING PRESSURE**

175 psi (12 bar) W.P. with 125# ANSI flange drilling

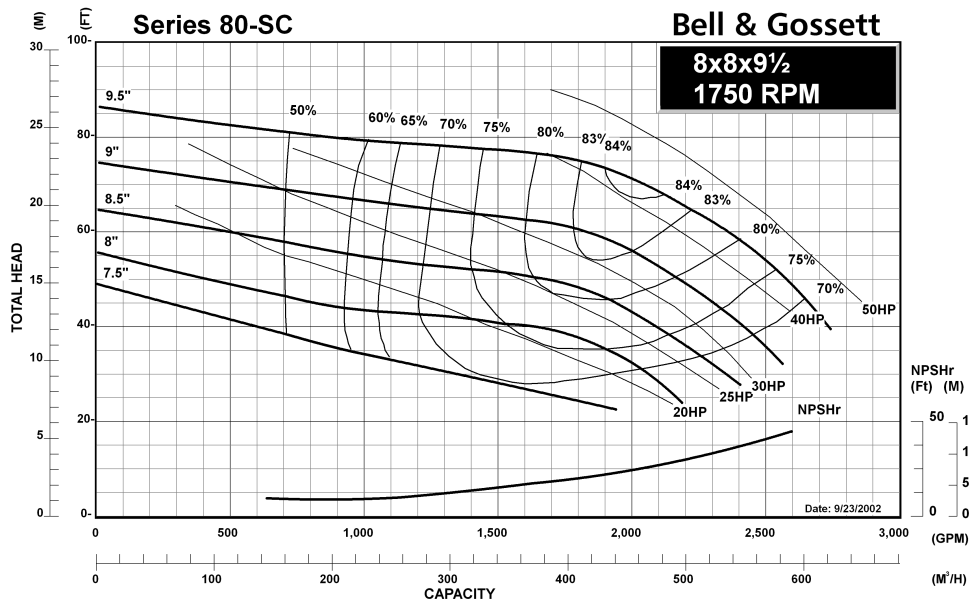
250 psi (17 bar) W.P. with 250# ANSI flange drilling

**TYPE OF SEAL**

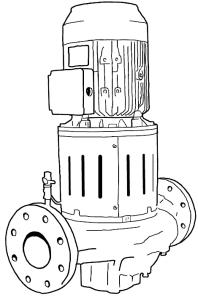
STANDARD SEAL - Inside Unitized with flush line (EPR/Carbon-Ceramic)  
Temp. range -20° to +250°F. (-29° to 121°C)  
Maximum pressure is 175 psi (12 bar)

OPTIONAL SEAL - Inside Unitized with flush line (EPR/Carbon-Tungsten Carbide)  
Temp. range -20° to +250°F. (-29° to 121°C)  
Maximum pressure is 250 psi (17 bar)

OPTIONAL SEAL - Outside Type "8B2"; with flush line (EPR/Carbon-Tungsten Carbide)  
Temp. range -20° to +250°F. (-29° to 121°C)  
Maximum pressure is 175 psi (12 bar)



<b>JOB:</b>	<b>REPRESENTATIVE:</b>	
<b>UNIT TAG:</b>	<b>ORDER NO.</b>	<b>DATE:</b>
<b>ENGINEER:</b>	<b>SUBMITTED BY:</b>	<b>DATE:</b>
<b>CONTRACTOR:</b>	<b>APPROVED BY:</b>	<b>DATE:</b>



# 8x8x9<sup>1</sup>/<sub>2</sub> Series 80<sup>®</sup>-SC

Spacer Coupled Vertical  
In-Line Mounted Centrifugal Pumps

**SPECIFICATIONS**

FLOW \_\_\_\_\_ HEAD \_\_\_\_\_

HP \_\_\_\_\_ RPM \_\_\_\_\_

VOLTS \_\_\_\_\_

CYCLE \_\_\_\_\_ PHASE \_\_\_\_\_

ENCLOSURE \_\_\_\_\_

APPROX. WEIGHT \_\_\_\_\_

SPECIALS \_\_\_\_\_

**MATERIALS OF CONSTRUCTION**

BRONZE FITTED     ALL IRON

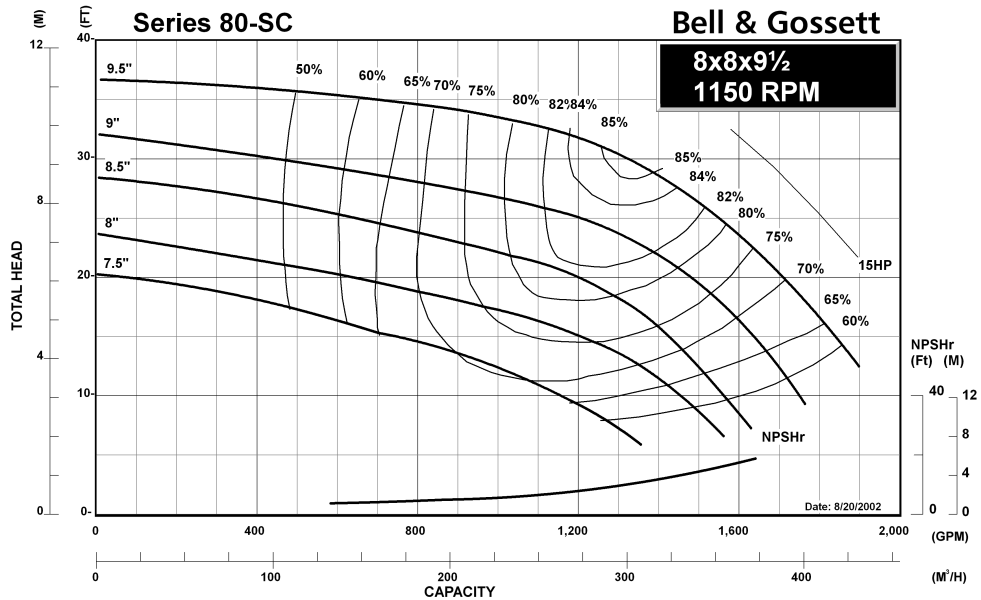
**WORKING PRESSURE**

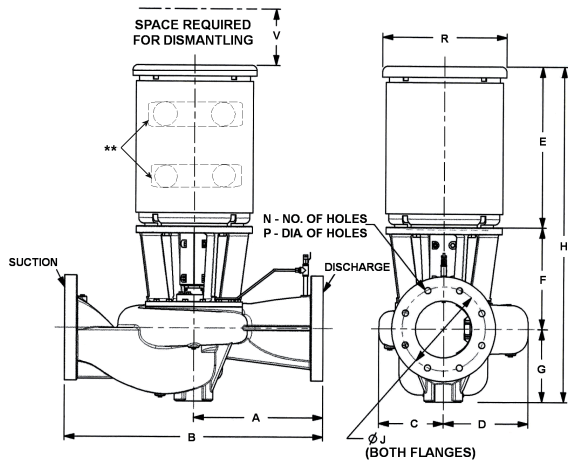
175 psi (12 bar) W.P.  
with 125# ANSI flange  
drilling

250 psi (17 bar) W.P.  
with 250# ANSI flange  
drilling

**TYPE OF SEAL**

- STANDARD SEAL - Inside Unitized with flush line (EPR/Carbon-Ceramic)  
Temp. range -20° to +250°F. (-29° to 121°C)  
Maximum pressure is 175 psi (12 bar)
- OPTIONAL SEAL - Inside Unitized with flush line (EPR/Carbon-Tungsten Carbide)  
Temp. range -20° to +250°F. (-29° to 121°C)  
Maximum pressure is 250 psi (17 bar)
- OPTIONAL SEAL - Outside Type "8B2"; with flush line (EPR/Carbon-Tungsten Carbide)  
Temp. range -20° to +250°F. (-29° to 121°C)  
Maximum pressure is 175 psi (12 bar)





FLANGE DIMENSIONS IN INCHES (MM)			
	SIZE	THICKNESS	O.D.
Discharge	8"	1-5/8 (41)	14-3/4 (375)
Suction	8"	1-5/8 (41)	14-3/4 (375)

VOLUTE BASE RING TAPPED FOR  
3" - 125# ANSI FLANGE TO SUPPORT PUMP

\*\* Motor may be supplied with feet

DIMENSIONS - Inches (mm)

TC SHAFT MOTORS

MOTOR FRAME	A	B	C	D	G	F	E	H	125# ANSI			250# ANSI			R	V (Min)
									J	N	P	J	N	P		
284TC	18 (457)	35-15/16 (913)	8-5/8 (219)	11-5/8 (295)	10-1/4 (260)	16-1/16 (408)	22-1/16 (560)	48-3/8 (1229)	11-3/4 (298)	8	7/8 (22)	13 (330)	12	1 (25)	14-1/8 (359)	6-1/4 (159)
286TC	18 (457)	35-15/16 (913)	8-5/8 (219)	11-5/8 (295)	10-1/4 (260)	16-1/16 (408)	23-9/16 (598)	49-7/8 (1267)	11-3/4 (298)	8	7/8 (22)	13 (330)	12	1 (25)	14-1/8 (359)	6-1/4 (159)
324TSC	18 (457)	35-15/16 (913)	8-5/8 (219)	11-5/8 (295)	10-1/4 (260)	16-1/16 (408)	24-5/8 (625)	50-15/16 (1294)	11-3/4 (298)	8	7/8 (22)	13 (330)	12	1 (25)	15-9/16 (395)	6-1/4 (159)
326TSC	18 (457)	35-15/16 (913)	8-5/8 (219)	11-5/8 (295)	10-1/4 (260)	16-1/16 (408)	26-1/8 (664)	52-7/16 (1332)	11-3/4 (298)	8	7/8 (22)	13 (330)	12	1 (25)	15-9/16 (395)	6-1/4 (159)

HP SHAFT MOTORS

MOTOR FRAME	A	B	C	D	G	F	E	H	125# ANSI			250# ANSI			R	V (Min)
									J	N	P	J	N	P		
284HPH	18 (457)	35-15/16 (913)	8-5/8 (219)	11-5/8 (295)	10-1/4 (260)	16-1/16 (408)	25-1/8 (638)	51-7/16 (1307)	11-3/4 (298)	8	7/8 (22)	13 (330)	12	1 (25)	14-1/8 (359)	6-1/4 (159)
286HPH	18 (457)	35-15/16 (913)	8-5/8 (219)	11-5/8 (295)	10-1/4 (260)	16-1/16 (408)	26-5/8 (676)	52-15/16 (1345)	11-3/4 (298)	8	7/8 (22)	13 (330)	12	1 (25)	14-1/8 (359)	6-1/4 (159)
324HP	18 (457)	35-15/16 (913)	8-5/8 (219)	11-5/8 (295)	10-1/4 (260)	16-1/16 (408)	27-11/16 (703)	54 (1372)	11-3/4 (298)	8	7/8 (22)	13 (330)	12	1 (25)	15-9/16 (395)	6-1/4 (159)
326HP	18 (457)	35-15/16 (913)	8-5/8 (219)	11-5/8 (295)	10-1/4 (260)	16-1/16 (408)	29-3/16 (741)	55-1/2 (1410)	11-3/4 (298)	8	7/8 (22)	13 (330)	12	1 (25)	15-9/16 (395)	6-1/4 (159)

IEC SHAFT MOTORS

MOTOR FRAME	A	B	C	D	G	F	E	H	125# ANSI			250# ANSI			R	V (Min)
									J	N	P	J	N	P		
160M	18 (457)	35-15/16 (913)	8-5/8 (219)	11-5/8 (295)	10-1/4 (260)	16-1/16 (408)	20-1/4 (514)	46-9/16 (1183)	11-3/4 (298)	8	7/8 (22)	13 (330)	12	1 (25)	13 (330)	6-1/4 (159)
160L	18 (457)	35-15/16 (913)	8-5/8 (219)	11-5/8 (295)	10-1/4 (260)	16-1/16 (408)	22-1/16 (560)	48-3/8 (1229)	11-3/4 (298)	8	7/8 (22)	13 (330)	12	1 (25)	13 (330)	6-1/4 (159)
180M	18 (457)	35-15/16 (913)	8-5/8 (219)	11-5/8 (295)	10-1/4 (260)	16-1/16 (408)	23-1/4 (591)	49-9/16 (1259)	11-3/4 (298)	8	7/8 (22)	13 (330)	12	1 (25)	14-15/16 (379)	6-1/4 (159)
180L	18 (457)	35-15/16 (913)	8-5/8 (219)	11-5/8 (295)	10-1/4 (260)	16-1/16 (408)	24-13/16 (630)	51-1/8 (1299)	11-3/4 (298)	8	7/8 (22)	13 (330)	12	1 (25)	14-15/16 (379)	6-1/4 (159)

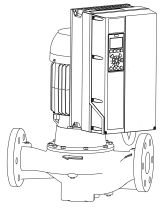
Dimensions are subject to change. Not to be used for construction purposes unless certified.

NOTE: For TEFC add 1-1/2" to dimensions E & H.

Xylem Inc.  
8200 N. Austin Avenue  
Morton Grove, IL 60053  
Phone: (847)966-3700  
Fax: (847)965-8379  
www.bellgossett.com



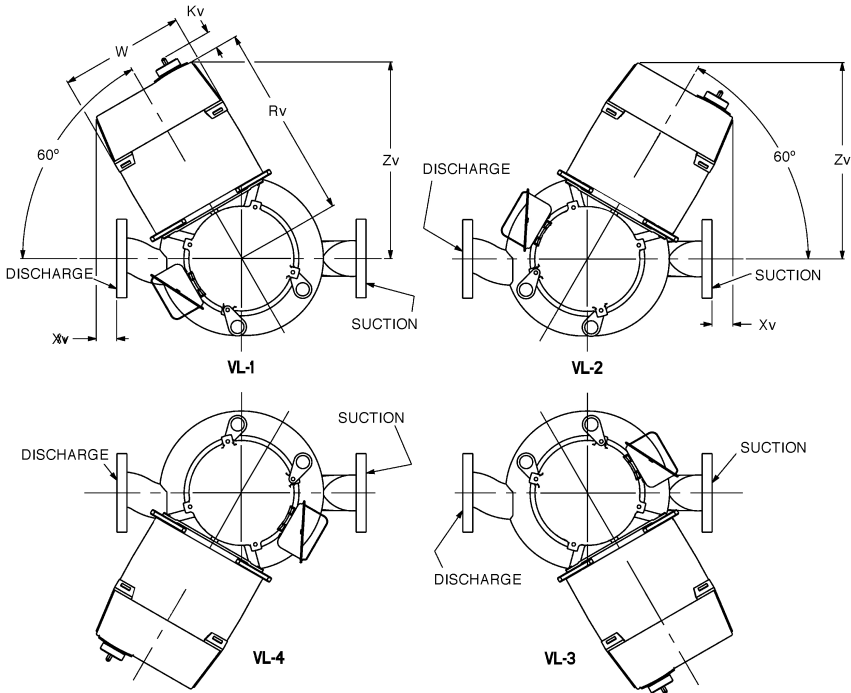
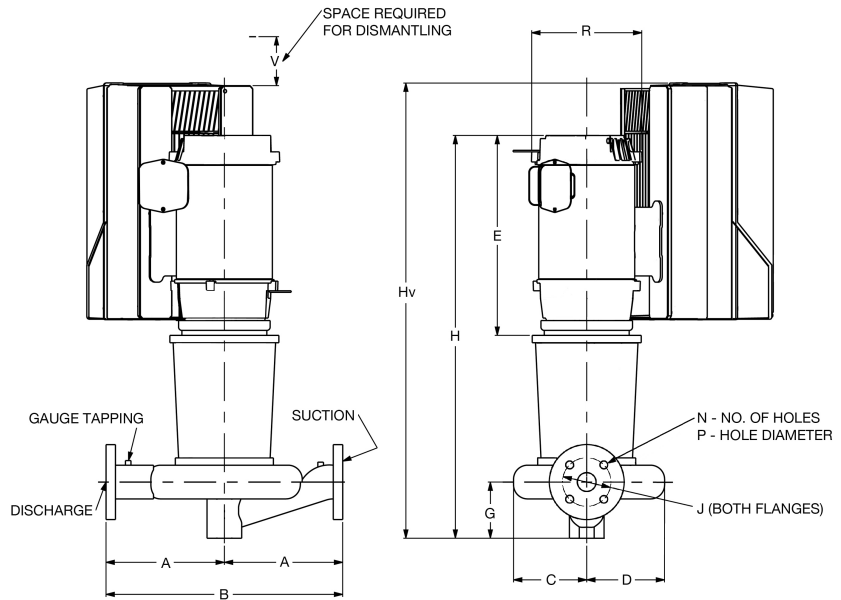
Bell & Gossett is a trademark of Xylem Inc. or one of its subsidiaries.  
© 2013 Xylem Inc.



# 8x8x9<sup>1</sup>/<sub>2</sub> Series 80SC<sup>®</sup>

In-Line Mounted Centrifugal Pumps  
With Optional Integrated Technologic<sup>®</sup> featuring Sensorless Control

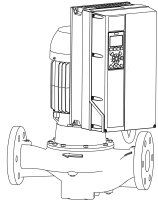
TECHNOLOGIC STANDARD FEATURES	
CONTROL METHOD	Constant Pressure, Linear Control Curve, Quadratic Control Curve Factory configured for sensorless operation standard. Field configurable for use with a wired transducer.
ENCLOSURE	IP55 / NEMA 12 / UL type 12
POWER DISCONNECT SWITCH	Included standard. Fused Disconnect Switch optional.
EMI/RFI CONTROL	Integrated filter to meet EN62800-3.
HARMONIC SUPPRESSION	Integrated non-saturating dual DC link reactors provide better harmonic performance than a 5% AC line reactor.
COOLING	Fan-cooled through temperature controlled and easy replacement.
AMBIENT TEMPERATURE RATING	14°F to 113°F (-10°C to 45°C)
COMMUNICATION PROTOCOLS	BACnet, Modbus RTU, N2 Metasys, FLN Apogee
ANALOG INPUTS	2 configurable for either voltage (0 to 10VDC) or current(0/4 to 20mA)
ANALOG OUTPUTS	1 (0/4 to 20mA) up to 500 ohm load accurate to 1% of full scale
DIGITAL INPUTS	4 (0 to 24VDC), NPN or PNP, 0 to 24VDC, on 5 msec scan interval, Up to 2 can be configured as pulse inputs.
DIGITAL OUTPUTS	2 (0 to 24VDC), 40mA max current, configurable as pulse outputs.
RELAY OUTPUTS	2 programmable, 240VAC or 400VAC up to 2 A



Xylem Inc.  
8200 N. Austin Avenue  
Morton Grove, IL 60053  
Phone: (847)966-3700  
Fax: (847)965-8379  
www.bellgossett.com



Bell & Gossett is a trademark of Xylem Inc. or one of its subsidiaries.  
© 2013 Xylem Inc.



# 8x8x9<sup>1</sup>/<sub>2</sub> Series 80-SC<sup>®</sup>

In-Line Mounted Centrifugal Pumps  
With Optional Integrated Technologic<sup>®</sup> featuring Sensorless Control

## DIMENSIONS – Inches (mm)

## TC SHAFT MOTORS

MOTOR FRAME	A	B	G	E	125# ANSI			250# ANSI			R	V (Min)	VFD	Rv	Zv	W	Hv	Xv	Kv
					J	N	P	J	N	P									
284TC	18 (457)	35-15/16 (913)	10-1/4 (260)	22-1/16 (560)	11-3/4 (298)	8	7/8 (22)	13 (330)	12	1 (25)	14-1/8 (359)	6-1/4 (159)	B1	17-37/64 (446)	17-23/64 (441)	9-1/2 (241)	48-3/8 (1229)	5-1/2 (140)	1-13/16 (45.72)
													C1	19-37/64 (497)	19-5/8 (498)	12-3/32 (307)	54-7/64 (1374)	3-19/32 (91)	1-7/8 (48.26)
286TC	18 (457)	35-15/16 (913)	10-1/4 (260)	23-9/16 (598)	11-3/4 (298)	8	7/8 (22)	13 (330)	12	1 (25)	14-1/8 (359)	6-1/4 (159)	B2	17-37/64 (446)	17-23/64 (441)	9-1/2 (241)	53-13/64 (1351)	5-1/2 (140)	1-11/16 (43.18)
													C1	19-37/64 (497)	19-5/8 (498)	12-3/32 (307)	55-39/64 (1412)	3-19/32 (91)	1-7/8 (48.26)
324TSC	18 (457)	35-15/16 (913)	10-1/4 (260)	24-5/8 (625)	11-3/4 (298)	8	7/8 (22)	13 (330)	12	1 (25)	15-9/16 (395)	6-1/4 (159)	B2	18-37/64 (472)	18-7/32 (463)	9-1/2 (241)	56-7/64 (1425)	5 (127)	1-11/16 (43.18)
													C1	20-37/64 (523)	20-31/64 (520)	12-3/32 (307)	56-29/64 (1434)	3-3/32 (78)	1-7/8 (48.26)
326TSC	18 (457)	35-15/16 (913)	10-1/4 (260)	26-1/8 (664)	11-3/4 (298)	8	7/8 (22)	13 (330)	12	1 (25)	15-9/16 (395)	6-1/4 (159)	C1	20-37/64 (523)	20-31/64 (520)	12-3/32 (307)	57-61/64 (1472)	3-3/32 (78)	1-7/8 (48.26)
													C2	21-37/64 (548)	21-61/64 (557)	14-19/32 (371)	62-33/64 (1588)	1-9/16 (40)	2-5/16 (58.42)

Xylem Inc.  
8200 N. Austin Avenue  
Morton Grove, IL 60053  
Phone: (847)966-3700  
Fax: (847)965-8379  
www.bellgossett.com

**xylem**  
Let's Solve Water

Bell & Gossett is a trademark of Xylem Inc. or one of its subsidiaries.  
© 2013 Xylem Inc.