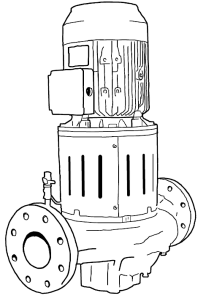


JOB: UNIT TAG: ENGINEER: CONTRACTOR:	REPRESENTATIVE: ORDER NO. SUBMITTED BY: APPROVED BY:	DATE: DATE: DATE:
---	---	--



8x8x13¹/₂

Series 80[®]-SC

Spacer Coupled Vertical
In-Line Mounted Centrifugal Pumps

SPECIFICATIONS

FLOW _____ HEAD _____

HP _____ RPM _____

VOLTS _____

CYCLE _____ PHASE _____

ENCLOSURE _____

APPROX. WEIGHT _____

SPECIALS _____

MATERIALS OF CONSTRUCTION

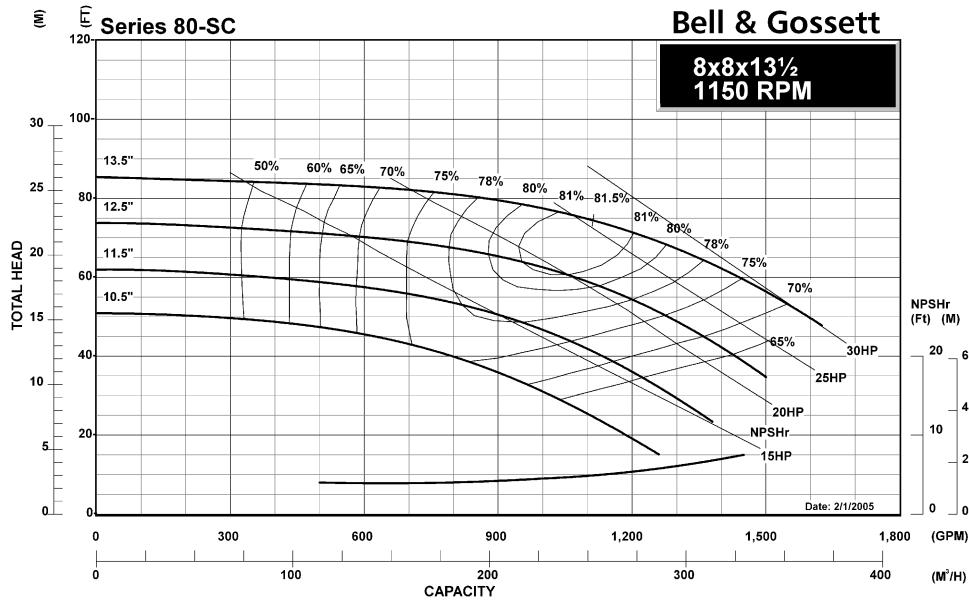
BRONZE FITTED

WORKING PRESSURE

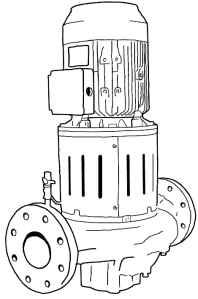
- 175 psi (12 bar) W.P. with 125# ANSI flange drilling
- 250 psi (17 bar) W.P. with 250# ANSI flange drilling

TYPE OF SEAL

- STANDARD SEAL - Inside Unitized with flush line (EPR/Carbon-Ceramic)
Temp. range -20° to +250°F. (-29° to 121°C)
Maximum pressure is 175 psi (12 bar)
- OPTIONAL SEAL - Inside Unitized with flush line (EPR/Carbon-Tungsten Carbide)
Temp. range -20° to +250°F. (-29° to 121°C)
Maximum pressure is 250 psi (17 bar)
- OPTIONAL SEAL - Outside Type "8B2"; with flush line (EPR/Carbon-Tungsten Carbide)
Temp. range -20° to +250°F. (-29° to 121°C)
Maximum pressure is 175 psi (12 bar)



JOB: UNIT TAG: ENGINEER: CONTRACTOR:	REPRESENTATIVE: ORDER NO. SUBMITTED BY: APPROVED BY:	DATE: DATE: DATE:
---	---	--



8x8x13¹/₂

Series 80[®]-SC

Spacer Coupled Vertical
In-Line Mounted Centrifugal Pumps

SPECIFICATIONS

FLOW _____ HEAD _____

HP _____ RPM _____

VOLTS _____

CYCLE _____ PHASE _____

ENCLOSURE _____

APPROX. WEIGHT _____

SPECIALS _____

MATERIALS OF CONSTRUCTION

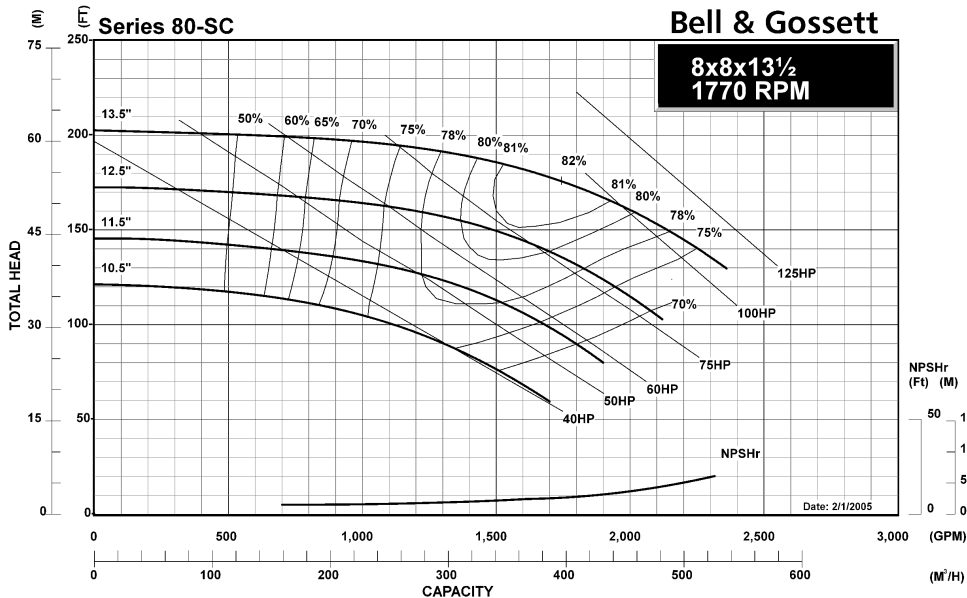
BRONZE FITTED

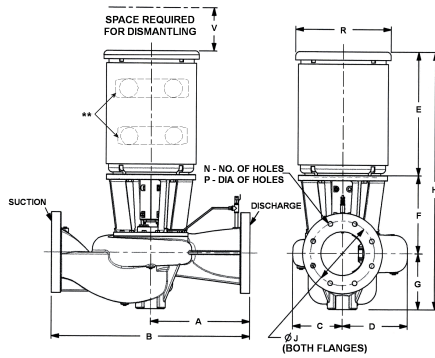
WORKING PRESSURE

- 175 psi (12 bar) W.P. with 125# ANSI flange drilling
- 250 psi (17 bar) W.P. with 250# ANSI flange drilling

TYPE OF SEAL

- STANDARD SEAL - Inside Unitized with flush line (EPR/Carbon-Ceramic)
Temp. range -20° to +250°F. (-29° to 121°C)
Maximum pressure is 175 psi (12 bar)
- OPTIONAL SEAL - Inside Unitized with flush line (EPR/Carbon-Tungsten Carbide)
Temp. range -20° to +250°F. (-29° to 121°C)
Maximum pressure is 250 psi (17 bar)
- OPTIONAL SEAL - Outside Type "8B2"; with flush line (EPR/Carbon-Tungsten Carbide)
Temp. range -20° to +250°F. (-29° to 121°C)
Maximum pressure is 175 psi (12 bar)





FLANGE DIMENSIONS IN INCHES (MM)			
	SIZE	THICKNESS	O.D.
Discharge	8"	1-5/8 (41)	14-3/4 (375)
Suction	8"	1-5/8 (41)	14-3/4 (375)

**VOLUTE BASE RING TAPPED FOR
6" - 125# ANSI FLANGE TO SUPPORT PUMP**

** Motor may be supplied with feet

DIMENSIONS - Inches (mm)

TC SHAFT MOTORS

MOTOR FRAME	A	B	C	D	G	F	E	H	125# ANSI			250# ANSI			R	V (Min)
									J	N	P	J	N	P		
284TC	20-1/2 (521)	41 (1041)	9-13/16 (249)	12-5/16 (313)	13-1/4 (337)	13-11/16 (348)	22-1/16 (560)	49 (1245)	11-3/4 (298)	8	7/8 (22)	13 (330)	12	1 (25)	14-1/8 (358)	7-1/2 (191)
286TC	20-1/2 (521)	41 (1041)	9-13/16 (249)	12-5/16 (313)	13-1/4 (337)	13-11/16 (348)	23-9/16 (598)	50-1/2 (1283)	11-3/4 (298)	8	7/8 (22)	13 (330)	12	1 (25)	14-1/8 (358)	7-1/2 (191)
324TSC	20-1/2 (521)	41 (1041)	9-13/16 (249)	12-5/16 (313)	13-1/4 (337)	13-11/16 (348)	24-5/8 (625)	51-9/16 (1310)	11-3/4 (298)	8	7/8 (22)	13 (330)	12	1 (25)	15-9/16 (396)	7-1/2 (191)
326TSC	20-1/2 (521)	41 (1041)	9-13/16 (249)	12-5/16 (313)	13-1/4 (337)	13-11/16 (348)	26-1/8 (663)	53-1/16 (1348)	11-3/4 (298)	8	7/8 (22)	13 (330)	12	1 (25)	15-9/16 (396)	7-1/2 (191)
364TSC	20-1/2 (521)	41 (1041)	9-13/16 (249)	12-5/16 (313)	13-1/4 (337)	13-11/16 (348)	28-1/16 (713)	55 (1398)	11-3/4 (298)	8	7/8 (22)	13 (330)	12	1 (25)	18-3/4 (476)	7-1/2 (191)

HP SHAFT MOTORS

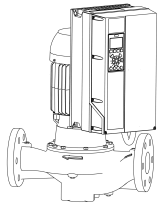
MOTOR FRAME	A	B	C	D	G	F	E	H	125# ANSI			250# ANSI			R	V (Min)
									J	N	P	J	N	P		
284HPH	20-1/2 (521)	41 (1041)	9-13/16 (249)	12-5/16 (313)	13-1/4 (337)	13-11/16 (348)	25-1/8 (638)	52-1/16 (1323)	11-3/4 (298)	8	7/8 (22)	13 (330)	12	1 (25)	14-1/8 (358)	7-1/2 (191)
286HPH	20-1/2 (521)	41 (1041)	9-13/16 (249)	12-5/16 (313)	13-1/4 (337)	13-11/16 (348)	26-5/8 (676)	53-9/16 (1361)	11-3/4 (298)	8	7/8 (22)	13 (330)	12	1 (25)	14-1/8 (358)	7-1/2 (191)
324HP	20-1/2 (521)	41 (1041)	9-13/16 (249)	12-5/16 (313)	13-1/4 (337)	13-11/16 (348)	27-11/16 (703)	54-5/8 (1387)	11-3/4 (298)	8	7/8 (22)	13 (330)	12	1 (25)	15-9/16 (396)	7-1/2 (191)
326HP	20-1/2 (521)	41 (1041)	9-13/16 (249)	12-5/16 (313)	13-1/4 (337)	13-11/16 (348)	29-3/16 (741)	56-1/8 (1425)	11-3/4 (298)	8	7/8 (22)	13 (330)	12	1 (25)	15-9/16 (396)	7-1/2 (191)
364HP	20-1/2 (521)	41 (1041)	9-13/16 (249)	12-5/16 (313)	13-1/4 (337)	13-11/16 (348)	32 (812)	58-15/16 (1497)	11-3/4 (298)	8	7/8 (22)	13 (330)	12	1 (25)	18-3/4 (476)	7-1/2 (191)
365HP	20-1/2 (521)	41 (1041)	9-13/16 (249)	12-5/16 (313)	13-1/4 (337)	17-5/8 (448)	32 (812)	62-7/8 (1597)	11-3/4 (298)	8	7/8 (22)	13 (330)	12	1 (25)	18-3/4 (476)	7-1/2 (191)
404HPH	20-1/2 (521)	41 (1041)	9-13/16 (249)	12-5/16 (313)	13-1/4 (337)	17-5/8 (448)	35 (888)	65-7/8 (1673)	11-3/4 (298)	8	7/8 (22)	13 (330)	12	1 (25)	18-3/4 (476)	7-1/2 (191)
405HPH	20-1/2 (521)	41 (1041)	9-13/16 (249)	12-5/16 (313)	13-1/4 (337)	17-5/8 (448)	34-15/16 (888)	65-7/8 (1673)	11-3/4 (298)	8	7/8 (22)	13 (330)	12	1 (25)	18-3/4 (476)	7-1/2 (191)
444HP	20-1/2 (521)	41 (1041)	9-13/16 (249)	12-5/16 (313)	13-1/4 (337)	17-5/8 (448)	38-7/8 (987)	69-3/4 (1772)	11-3/4 (298)	8	7/8 (22)	13 (330)	12	1 (25)	23-11/16 (601)	7-1/2 (191)

IEC SHAFT MOTORS

MOTOR FRAME	A	B	C	D	G	F	E	H	125# ANSI			250# ANSI			R	V (Min)
									J	N	P	J	N	P		
160L	20-1/2 (521)	41 (1041)	9-13/16 (249)	12-5/16 (313)	13-1/4 (337)	13-11/16 (348)	22-1/16 (560)	49 (1244)	11-3/4 (298)	8	7/8 (22)	13 (330)	12	1 (25)	13 (330)	7-1/2 (191)
180M	20-1/2 (521)	41 (1041)	9-13/16 (249)	12-5/16 (313)	13-1/4 (337)	13-11/16 (348)	23-1/4 (590)	50-3/16 (1274)	11-3/4 (298)	8	7/8 (22)	13 (330)	12	1 (25)	14-15/16 (380)	7-1/2 (191)
180L	20-1/2 (521)	41 (1041)	9-13/16 (249)	12-5/16 (313)	13-1/4 (337)	13-11/16 (348)	24-13/16 (630)	51-3/4 (1314)	11-3/4 (298)	8	7/8 (22)	13 (330)	12	1 (25)	14-15/16 (380)	7-1/2 (191)
200L	20-1/2 (521)	41 (1041)	9-13/16 (249)	12-5/16 (313)	13-1/4 (337)	17-5/8 (448)	26-3/8 (670)	57-1/4 (1455)	11-3/4 (298)	8	7/8 (22)	13 (330)	12	1 (25)	16-5/16 (415)	7-1/2 (191)
225S	20-1/2 (521)	41 (1041)	9-13/16 (249)	12-5/16 (313)	13-1/4 (337)	17-5/8 (448)	27-3/4 (705)	58-5/8 (1490)	11-3/4 (298)	8	7/8 (22)	13 (330)	12	1 (25)	17-11/16 (450)	7-1/2 (191)
225M	20-1/2 (521)	41 (1041)	9-13/16 (249)	12-5/16 (313)	13-1/4 (337)	17-5/8 (448)	27-3/4 (705)	58-5/8 (1490)	11-3/4 (298)	8	7/8 (22)	13 (330)	12	1 (25)	17-11/16 (450)	7-1/2 (191)
250M	20-1/2 (521)	41 (1041)	9-13/16 (249)	12-5/16 (313)	13-1/4 (337)	17-5/8 (448)	30-1/2 (775)	61-3/8 (1560)	11-3/4 (298)	8	7/8 (22)	13 (330)	12	1 (25)	22-1/16 (560)	7-1/2 (191)

Dimensions are subject to change. Not to be used for construction purposes unless certified.

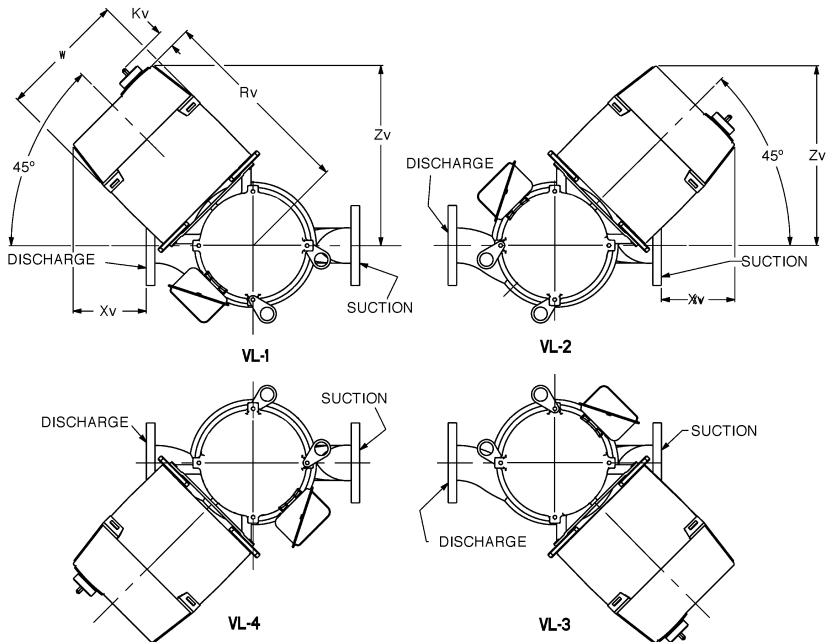
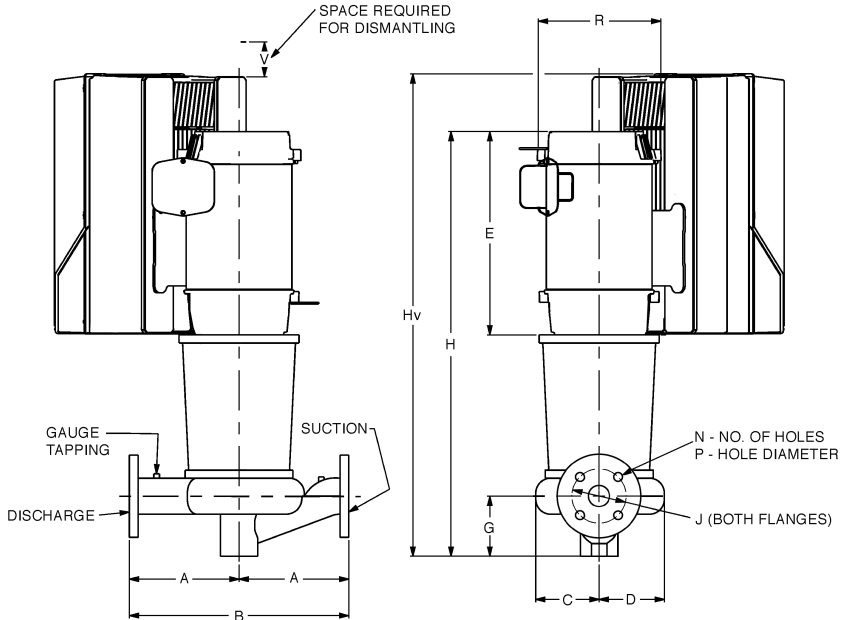
NOTE: For TEFC add 1-1/2" to dimensions E & H.



8x8x13 1/2 Series 80SC[®]

In-Line Mounted Centrifugal Pumps
With Optional Integrated Technolog[®] featuring Sensorless Control

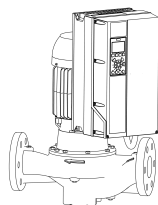
TECHNOLOGIC STANDARD FEATURES	
CONTROL METHOD	Constant Pressure, Linear Control Curve, Quadratic Control Curve Factory configured for sensorless operation standard. Field configurable for use with a wired transducer.
ENCLOSURE	IP55 / NEMA 12 / UL type 12
POWER DISCONNECT SWITCH	Included standard. Fused Disconnect Switch optional.
EMI/RFI CONTROL	Integrated filter to meet EN62800-3.
HARMONIC SUPPRESSION	Integrated non-saturating dual DC link reactors provide better harmonic performance than a 5% AC line reactor.
COOLING	Fan-cooled through temperature controlled and easy replacement.
AMBIENT TEMPERATURE RATING	14°F to 113°F (-10°C to 45°C)
COMMUNICATION PROTOCOLS	BACnet, Modbus RTU, N2 Metasys, FLN Apogee
ANALOG INPUTS	2 configurable for either voltage (0 to 10VDC) or current(0/4 to 20mA)
ANALOG OUTPUTS	1 (0/4 to 20mA) up to 500 ohm load accurate to 1% of full scale
DIGITAL INPUTS	4 (0 to 24VDC), NPN or PNP, 0 to 24VDC, on 5 msec scan interval, Up to 2 can be configured as pulse inputs.
DIGITAL OUTPUTS	2 (0 to 24VDC), 40mA max current, configurable as pulse outputs.
RELAY OUTPUTS	2 programmable, 240VAC or 400VAC up to 2 A



Xylem Inc.
8200 N. Austin Avenue
Morton Grove, IL 60053
Phone: (847)966-3700
Fax: (847)965-8379
www.bellgossett.com



Bell & Gossett is a trademark of Xylem Inc. or one of its subsidiaries.
© 2013 Xylem Inc.



8x8x13¹/₂ Series 80-SC[®]

In-Line Mounted Centrifugal Pumps
With Optional Integrated Technologic[®] featuring Sensorless Control

DIMENSIONS – Inches (mm)

TC SHAFT MOTORS

MOTOR FRAME	A	B	G	E	125# ANSI			250# ANSI			R	V (Min)	VFD	Rv	Zv	W	Hv	Xv	Kv
					J	N	P	J	N	P									
284TC	20-1/2 (521)	41 (1041)	13-1/4 (337)	22-1/16 (560)	11-3/4 (298)	8	7/8 (22)	13 (330)	12	1 (25)	14-1/8 (358)	7-1/2 (191)	B1	17-37/64 (446)	15-29/64 (392)	9-1/2 (241)	49 (1245)	5-3/64 (128)	1-13/16 (45.72)
286TC	20-1/2 (521)	41 (1041)	13-1/4 (337)	23-9/16 (598)	11-3/4 (298)	8	7/8 (22)	13 (330)	12	1 (25)	14-1/8 (358)	7-1/2 (191)	B1	17-37/64 (446)	15-29/64 (392)	9-1/2 (241)	50-1/2 (1283)	5-3/64 (128)	1-13/16 (45.72)
													B2	17-37/64 (446)	15-29/64 (392)	9-1/2 (241)	53-53/64 (1367)	5-3/64 (128)	1-11/16 (43.18)
324TSC	20-1/2 (521)	41 (1041)	13-1/4 (337)	24-5/8 (625)	11-3/4 (298)	8	7/8 (22)	13 (330)	12	1 (25)	15-9/16 (396)	7-1/2 (191)	B1	18-37/64 (472)	16-5/32 (410)	9-1/2 (241)	52-9/32 (1328)	4-11/32 (110)	1-13/16 (45.72)
													C1	20-37/64 (523)	18-21/64 (465)	12-3/32 (307)	57-5/64 (1450)	2-11/64 (55)	1-7/8 (48.26)
326TSC	20-1/2 (521)	41 (1041)	13-1/4 (337)	26-1/8 (663)	11-3/4 (298)	8	7/8 (22)	13 (330)	12	1 (25)	15-9/16 (396)	7-1/2 (191)	B2	18-37/64 (472)	16-5/32 (410)	9-1/2 (241)	58-15/64 (1479)	4-11/32 (110)	1-11/16 (43.18)
													C1	20-37/64 (523)	18-21/64 (465)	12-3/32 (307)	58-37/64 (1488)	2-11/64 (55)	1-7/8 (48.26)
364TSC	20-1/2 (521)	41 (1041)	13-1/4 (337)	28-1/16 (713)	11-3/4 (298)	8	7/8 (22)	13 (330)	12	1 (25)	18-3/4 (476)	7-1/2 (191)	B2	19-37/64 (497)	16-55/64 (428)	9-1/2 (241)	55-9/64 (1401)	3-41/64 (92)	1-11/16 (43.18)
													C1	21-37/64 (548)	19-1/32 (483)	12-3/32 (307)	56-31/64 (1435)	1-15/32 (37)	1-7/8 (48.26)
													C2	22-37/64 (573)	20-37/64 (523)	14-19/32 (371)	61-3/64 (1551)	5/64 (2)	2-5/16 (58.42)

Xylem Inc.
8200 N. Austin Avenue
Morton Grove, IL 60053
Phone: (847)966-3700
Fax: (847)965-8379
www.bellgossett.com

xylem
Let's Solve Water

Bell & Gossett is a trademark of Xylem Inc. or one of its subsidiaries.
© 2013 Xylem Inc.