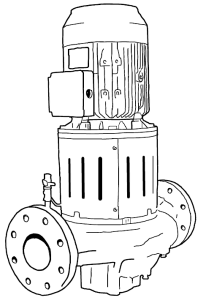


<p>JOB:</p> <p>UNIT TAG:</p> <p>ENGINEER:</p> <p>CONTRACTOR:</p>	<p>REPRESENTATIVE:</p> <p>ORDER NO.</p> <p>SUBMITTED BY:</p> <p>APPROVED BY:</p>	<p>DATE:</p> <p>DATE:</p> <p>DATE:</p>
-----------------------------------------------------------------------------------------------------	---------------------------------------------------------------------------------------------------------------------	-------------------------------------------------------------



8x8x11

Series 80[®]-SC

Spacer Coupled Vertical
In-Line Mounted Centrifugal Pumps

SPECIFICATIONS

FLOW _____ HEAD _____

HP _____ RPM _____

VOLTS _____

CYCLE _____ PHASE _____

ENCLOSURE _____

APPROX. WEIGHT _____

SPECIALS _____

MATERIALS OF CONSTRUCTION

BRONZE FITTED ALL IRON

WORKING PRESSURE

175 psi (12 bar) W.P. with 125# ANSI flange drilling

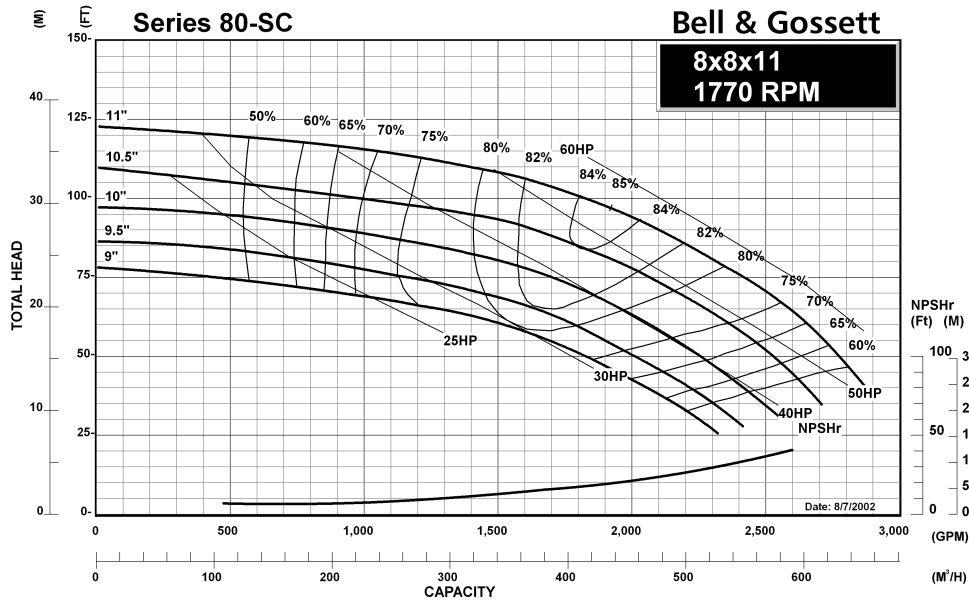
250 psi (17 bar) W.P. with 250# ANSI flange drilling

TYPE OF SEAL

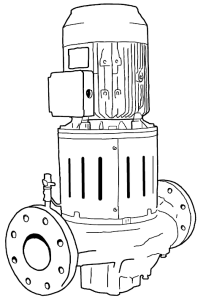
STANDARD SEAL - Inside Unitized with flush line (EPR/Carbon-Ceramic)
Temp. range -20° to +250°F. (-29° to 121°C)
Maximum pressure is 175 psi (12 bar)

OPTIONAL SEAL - Inside Unitized with flush line (EPR/Carbon-Tungsten Carbide)
Temp. range -20° to +250°F. (-29° to 121°C)
Maximum pressure is 250 psi (17 bar)

OPTIONAL SEAL - Outside Type "8B2"; with flush line (EPR/Carbon-Tungsten Carbide)
Temp. range -20° to +250°F. (-29° to 121°C)
Maximum pressure is 175 psi (12 bar)



JOB:	REPRESENTATIVE:	
UNIT TAG:	ORDER NO.	DATE:
ENGINEER:	SUBMITTED BY:	DATE:
CONTRACTOR:	APPROVED BY:	DATE:



8x8x11

Series 80[®]-SC

Spacer Coupled Vertical
In-Line Mounted Centrifugal Pumps

SPECIFICATIONS

FLOW _____ HEAD _____

HP _____ RPM _____

VOLTS _____

CYCLE _____ PHASE _____

ENCLOSURE _____

APPROX. WEIGHT _____

SPECIALS _____

MATERIALS OF CONSTRUCTION

BRONZE FITTED ALL IRON

WORKING PRESSURE

175 psi (12 bar) W.P.
with 125# ANSI flange
drilling

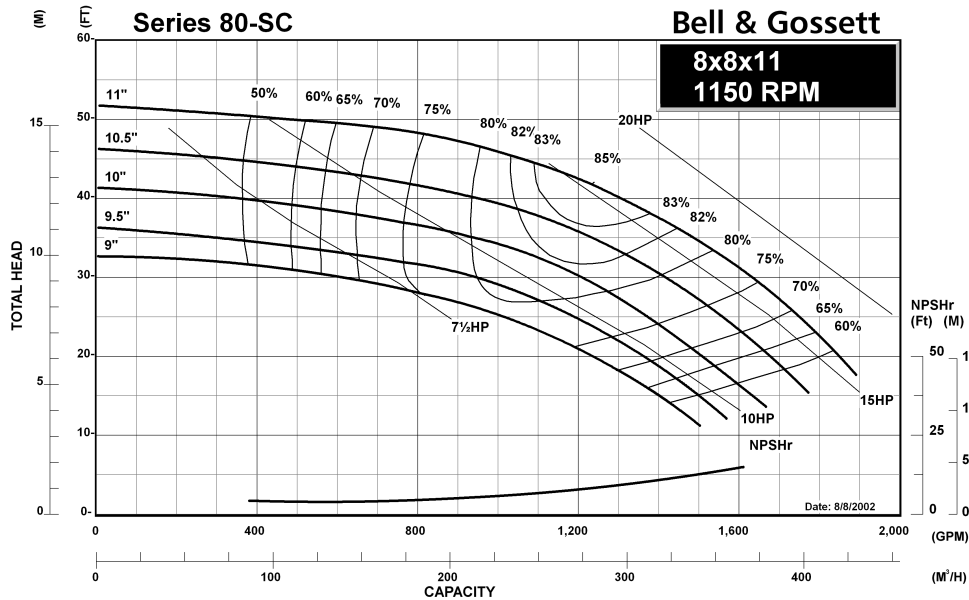
250 psi (17 bar) W.P.
with 250# ANSI flange
drilling

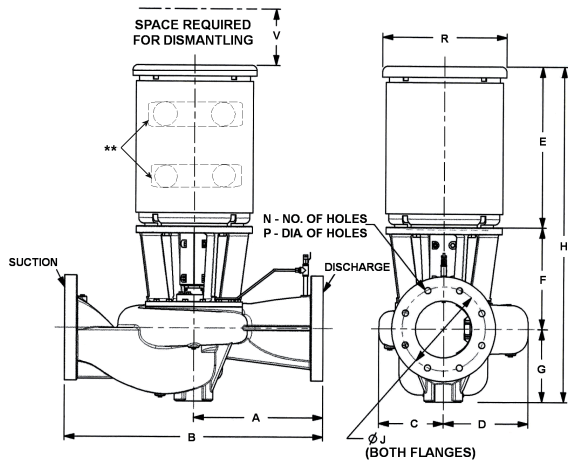
TYPE OF SEAL

STANDARD SEAL - Inside Unitized with flush line (EPR/Carbon-Ceramic)
Temp. range -20° to +250°F. (-29° to 121°C)
Maximum pressure is 175 psi (12 bar)

OPTIONAL SEAL - Inside Unitized with flush line (EPR/Carbon-Tungsten Carbide)
Temp. range -20° to +250°F. (-29° to 121°C)
Maximum pressure is 250 psi (17 bar)

OPTIONAL SEAL - Outside Type "8B2"; with flush line (EPR/Carbon-Tungsten Carbide)
Temp. range -20° to +250°F. (-29° to 121°C)
Maximum pressure is 175 psi (12 bar)





FLANGE DIMENSIONS IN INCHES (MM)			
	SIZE	THICKNESS	O.D.
Discharge	8"	1-3/4 (44)	14-3/4 (375)
Suction	8"	1-3/4 (44)	14-3/4 (375)

**VOLUTE BASE RING TAPPED FOR
3" - 125# ANSI FLANGE TO SUPPORT PUMP**

** Motor may be supplied with feet

DIMENSIONS - Inches (mm)

TC SHAFT MOTORS

MOTOR FRAME	A	B	C	D	G	F	E	H	125# ANSI			250# ANSI			R	V (Min)
									J	N	P	J	N	P		
284TC	18-5/16 (465)	36-11/16 (932)	9-3/16 (233)	12 (305)	10-1/4 (260)	13-15/16 (354)	22-1/16 (560)	46-1/4 (1175)	11-3/4 (298)	8	7/8 (22)	13 (330)	12	1 (25)	14-1/8 (359)	6-1/4 (159)
286TC	18-5/16 (465)	36-11/16 (932)	9-3/16 (233)	12 (305)	10-1/4 (260)	13-15/16 (354)	23-9/16 (598)	47-3/4 (1213)	11-3/4 (298)	8	7/8 (22)	13 (330)	12	1 (25)	14-1/8 (359)	6-1/4 (159)
324TSC	18-5/16 (465)	36-11/16 (932)	9-3/16 (233)	12 (305)	10-1/4 (260)	13-15/16 (354)	24-5/8 (625)	48-13/16 (1240)	11-3/4 (298)	8	7/8 (22)	13 (330)	12	1 (25)	15-9/16 (395)	6-1/4 (159)
326TSC	18-5/16 (465)	36-11/16 (932)	9-3/16 (233)	12 (305)	10-1/4 (260)	13-15/16 (354)	26-1/8 (664)	50-5/16 (1278)	11-3/4 (298)	8	7/8 (22)	13 (330)	12	1 (25)	15-9/16 (395)	6-1/4 (159)
364TSC	18-5/16 (465)	36-11/16 (932)	9-3/16 (233)	12 (305)	10-1/4 (260)	13-15/16 (354)	28-1/16 (713)	52-1/4 (1327)	11-3/4 (298)	8	7/8 (22)	13 (330)	12	1 (25)	18-3/4 (476)	6-1/4 (159)

HP SHAFT MOTORS

MOTOR FRAME	A	B	C	D	G	F	E	H	125# ANSI			250# ANSI			R	V (Min)
									J	N	P	J	N	P		
284HPH	18-5/16 (465)	36-11/16 (932)	9-3/16 (233)	12 (305)	10-1/4 (260)	13-15/16 (354)	25-1/8 (638)	49-5/16 (1253)	11-3/4 (298)	8	7/8 (22)	13 (330)	12	1 (25)	14-1/8 (359)	6-1/4 (159)
286HPH	18-5/16 (465)	36-11/16 (932)	9-3/16 (233)	12 (305)	10-1/4 (260)	13-15/16 (354)	26-5/8 (676)	50-13/16 (1291)	11-3/4 (298)	8	7/8 (22)	13 (330)	12	1 (25)	14-1/8 (359)	6-1/4 (159)
324HP	18-5/16 (465)	36-11/16 (932)	9-3/16 (233)	12 (305)	10-1/4 (260)	13-15/16 (354)	27-11/16 (703)	51-7/8 (1318)	11-3/4 (298)	8	7/8 (22)	13 (330)	12	1 (25)	15-9/16 (395)	6-1/4 (159)
326HP	18-5/16 (465)	36-11/16 (932)	9-3/16 (233)	12 (305)	10-1/4 (260)	13-15/16 (354)	29-3/16 (741)	53-3/8 (1356)	11-3/4 (298)	8	7/8 (22)	13 (330)	12	1 (25)	15-9/16 (395)	6-1/4 (159)
364HP	18-5/16 (465)	36-11/16 (932)	9-3/16 (233)	12 (305)	10-1/4 (260)	13-15/16 (354)	32 (813)	56-3/16 (1427)	11-3/4 (298)	8	7/8 (22)	13 (330)	12	1 (25)	18-3/4 (476)	6-1/4 (159)

IEC SHAFT MOTORS

MOTOR FRAME	A	B	C	D	G	F	E	H	125# ANSI			250# ANSI			R	V (Min)
									J	N	P	J	N	P		
160M	18-5/16 (465)	36-11/16 (932)	9-3/16 (233)	12 (305)	10-1/4 (260)	13-15/16 (354)	20-1/4 (514)	44-7/16 (1129)	11-3/4 (298)	8	7/8 (22)	13 (330)	12	1 (25)	13 (330)	6-1/4 (159)
160L	18-5/16 (465)	36-11/16 (932)	9-3/16 (233)	12 (305)	10-1/4 (260)	13-15/16 (354)	22-1/16 (560)	46-1/4 (1175)	11-3/4 (298)	8	7/8 (22)	13 (330)	12	1 (25)	13 (330)	6-1/4 (159)
180M	18-5/16 (465)	36-11/16 (932)	9-3/16 (233)	12 (305)	10-1/4 (260)	13-15/16 (354)	23-1/4 (591)	47-7/16 (1205)	11-3/4 (298)	8	7/8 (22)	13 (330)	12	1 (25)	14-15/16 (379)	6-1/4 (159)
180L	18-5/16 (465)	36-11/16 (932)	9-3/16 (233)	12 (305)	10-1/4 (260)	13-15/16 (354)	24-13/16 (630)	49 (1245)	11-3/4 (298)	8	7/8 (22)	13 (330)	12	1 (25)	14-15/16 (379)	6-1/4 (159)
200L	18-5/16 (465)	36-11/16 (932)	9-3/16 (233)	12 (305)	10-1/4 (260)	13-15/16 (354)	26-3/8 (670)	50-9/16 (1284)	11-3/4 (298)	8	7/8 (22)	13 (330)	12	1 (25)	16-5/16 (414)	6-1/4 (159)

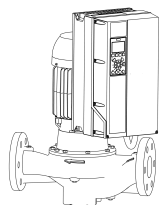
Dimensions are subject to change. Not to be used for construction purposes unless certified.

NOTE: For TEFC add 1-1/2" to dimensions E & H.

Xylem Inc.
8200 N. Austin Avenue
Morton Grove, IL 60053
Phone: (847)966-3700
Fax: (847)965-8379
www.bellgossett.com



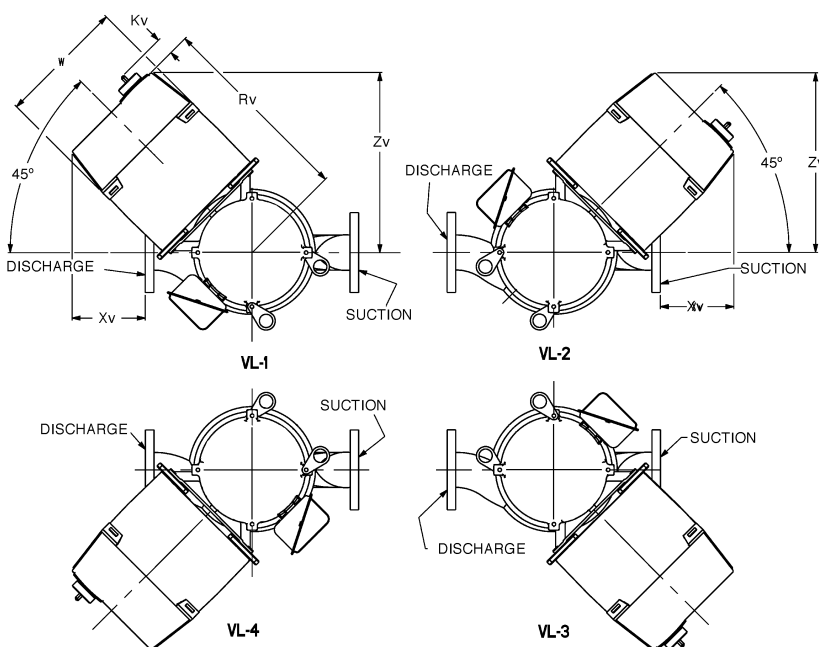
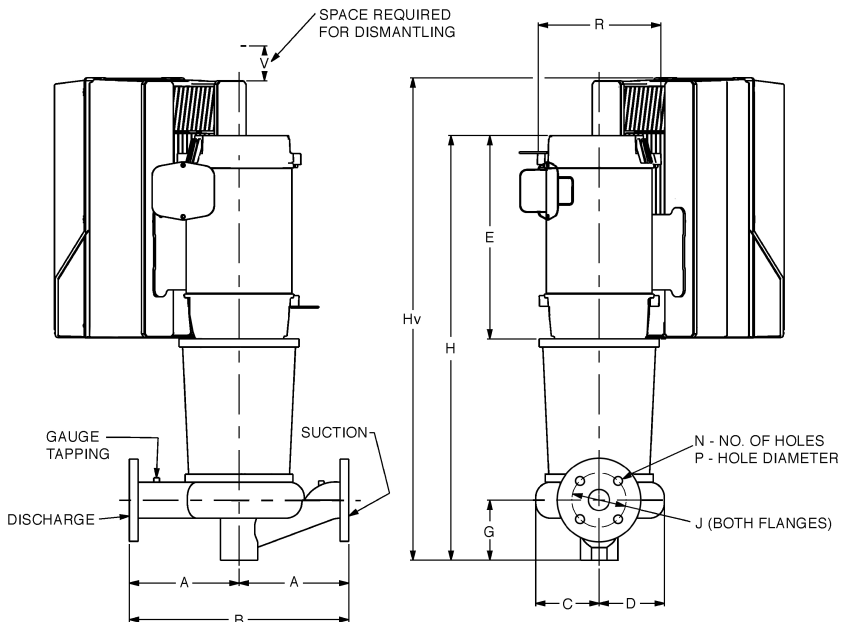
Bell & Gossett is a trademark of Xylem Inc. or one of its subsidiaries.
© 2013 Xylem Inc.



8x8x11 Series 80SC[®]

In-Line Mounted Centrifugal Pumps
With Optional Integrated Technolog[®] featuring Sensorless Control

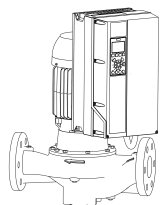
TECHNOLOGIC STANDARD FEATURES	
CONTROL METHOD	Constant Pressure, Linear Control Curve, Quadratic Control Curve Factory configured for sensorless operation standard. Field configurable for use with a wired transducer.
ENCLOSURE	IP55 / NEMA 12 / UL type 12
POWER DISCONNECT SWITCH	Included standard. Fused Disconnect Switch optional.
EMI/RFI CONTROL	Integrated filter to meet EN62800-3.
HARMONIC SUPPRESSION	Integrated non-saturating dual DC link reactors provide better harmonic performance than a 5% AC line reactor.
COOLING	Fan-cooled through temperature controlled and easy replacement.
AMBIENT TEMPERATURE RATING	14°F to 113°F (-10°C to 45°C)
COMMUNICATION PROTOCOLS	BACnet, Modbus RTU, N2 Metasys, FLN Apogee
ANALOG INPUTS	2 configurable for either voltage (0 to 10VDC) or current(0/4 to 20mA)
ANALOG OUTPUTS	1 (0/4 to 20mA) up to 500 ohm load accurate to 1% of full scale
DIGITAL INPUTS	4 (0 to 24VDC), NPN or PNP, 0 to 24VDC, on 5 msec scan interval, Up to 2 can be configured as pulse inputs.
DIGITAL OUTPUTS	2 (0 to 24VDC), 40mA max current, configurable as pulse outputs.
RELAY OUTPUTS	2 programmable, 240VAC or 400VAC up to 2 A



Xylem Inc.
8200 N. Austin Avenue
Morton Grove, IL 60053
Phone: (847)966-3700
Fax: (847)965-8379
www.bellgossett.com



Bell & Gossett is a trademark of Xylem Inc. or one of its subsidiaries.
© 2013 Xylem Inc.



8x8x11 Series 80-SC[®]

In-Line Mounted Centrifugal Pumps
With Optional Integrated Technologic[®] featuring Sensorless Control

DIMENSIONS – Inches (mm)

TC SHAFT MOTORS

MOTOR FRAME	A	B	G	E	125# ANSI			250# ANSI			R	V (Min)	VFD	Rv	Zv	W	Hv	Xv	Kv
					J	N	P	J	N	P									
284TC	18-5/16 (465)	36-11/16 (932)	10-1/4 (260)	22-1/16 (560)	11-3/4 (298)	8	7/8 (22)	13 (330)	12	1 (25)	14-1/8 (359)	6-1/4 (159)	B1	17-37/64 (446)	15-29/64 (392)	9-1/2 (241)	46-1/4 (1175)	2-55/64 (73)	1-13/16 (45.72)
286TC	18-5/16 (465)	36-11/16 (932)	10-1/4 (260)	23-9/16 (598)	11-3/4 (298)	8	7/8 (22)	13 (330)	12	1 (25)	14-1/8 (359)	6-1/4 (159)	B1	17-37/64 (446)	15-29/64 (392)	9-1/2 (241)	47-3/4 (1213)	2-55/64 (73)	1-13/16 (45.72)
													B2	17-37/64 (446)	15-29/64 (392)	9-1/2 (241)	51-5/64 (1297)	2-55/64 (73)	1-11/16 (43.18)
324TSC	18-5/16 (465)	36-11/16 (932)	10-1/4 (260)	24-5/8 (625)	11-3/4 (298)	8	7/8 (22)	13 (330)	12	1 (25)	15-9/16 (395)	6-1/4 (159)	B2	18-37/64 (472)	16-5/32 (410)	9-1/2 (241)	53-63/64 (1371)	2-5/32 (55)	1-11/16 (43.18)
													C1	20-37/64 (523)	18-21/64 (465)	12-3/32 (307)	54-21/64 (1380)	21/64 (8)	1-7/8 (48.26)
326TSC	18-5/16 (465)	36-11/16 (932)	10-1/4 (260)	26-1/8 (664)	11-3/4 (298)	8	7/8 (22)	13 (330)	12	1 (25)	15-9/16 (395)	6-1/4 (159)	C1	20-37/64 (523)	18-21/64 (465)	12-3/32 (307)	55-53/64 (1418)	21/64 (8)	1-7/8 (48.26)
													C2	21-37/64 (548)	19-7/8 (505)	14-19/32 (371)	60-25/64 (1534)	1-9/16 (40)	2-5/16 (58.42)
364TSC	18-5/16 (465)	36-11/16 (932)	10-1/4 (260)	28-1/16 (713)	11-3/4 (298)	8	7/8 (22)	13 (330)	12	1 (25)	18-3/4 (476)	6-1/4 (159)	C1	21-37/64 (548)	19-1/32 (483)	12-3/32 (307)	53-47/64 (1365)	23/32 (18)	1-7/8 (48.26)
													C2	22-37/64 (573)	20-37/64 (523)	14-19/32 (371)	58-19/64 (1481)	2-17/64 (58)	2-5/16 (58.42)

Xylem Inc.
8200 N. Austin Avenue
Morton Grove, IL 60053
Phone: (847)966-3700
Fax: (847)965-8379
www.bellgossett.com

xylem
Let's Solve Water

Bell & Gossett is a trademark of Xylem Inc. or one of its subsidiaries.
© 2013 Xylem Inc.