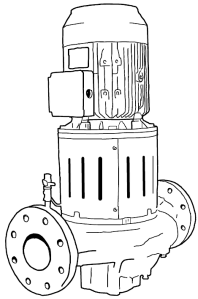


<p>JOB:</p> <p>UNIT TAG:</p> <p>ENGINEER:</p> <p>CONTRACTOR:</p>	<p>REPRESENTATIVE:</p> <p>ORDER NO.</p> <p>SUBMITTED BY:</p> <p>APPROVED BY:</p>	<p>DATE:</p> <p>DATE:</p> <p>DATE:</p>
---	---	---



6x6x9^{1/2} Series 80[®]-SC

Spacer Coupled Vertical
In-Line Mounted Centrifugal Pumps

SPECIFICATIONS

FLOW _____ HEAD _____

HP _____ RPM _____

VOLTS _____

CYCLE _____ PHASE _____

ENCLOSURE _____

APPROX. WEIGHT _____

SPECIALS _____

MATERIALS OF CONSTRUCTION

BRONZE FITTED ALL IRON

WORKING PRESSURE

175 psi (12 bar) W.P.
with 125# ANSI flange
drilling

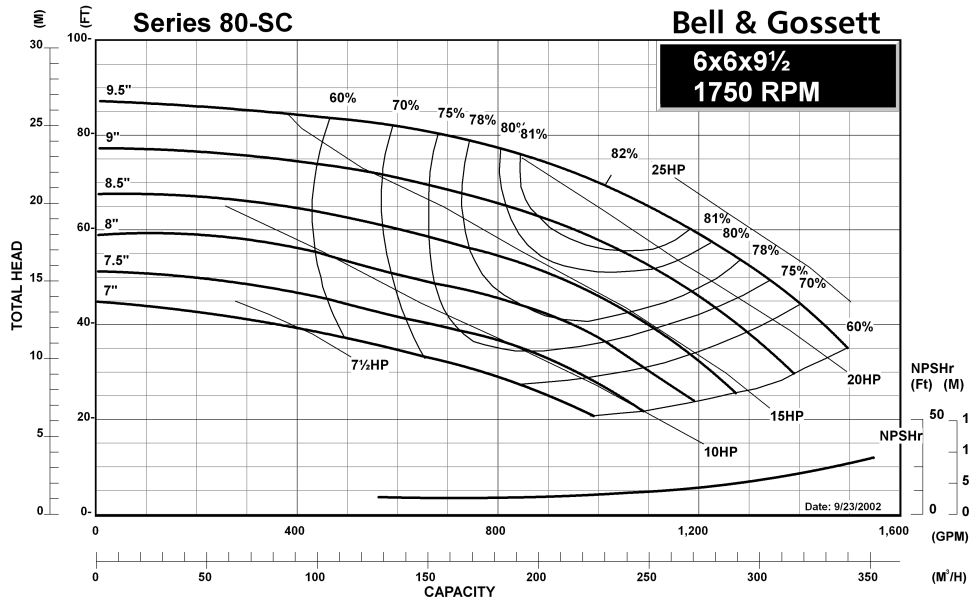
250 psi (17 bar) W.P.
with 250# ANSI flange
drilling

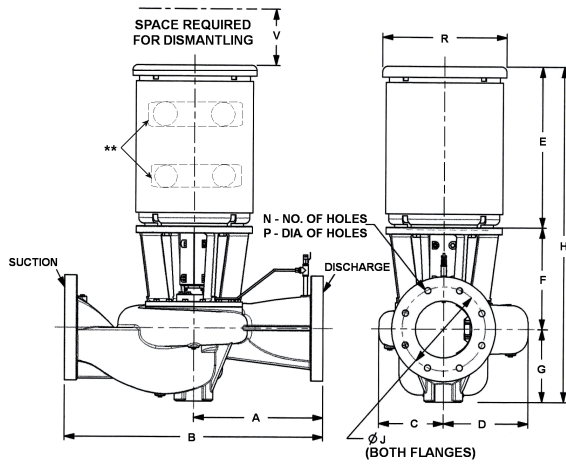
TYPE OF SEAL

STANDARD SEAL - Inside Unitized with flush line (EPR/Carbon-Ceramic)
Temp. range -20° to +250°F. (-29° to 121°C)
Maximum pressure is 175 psi (12 bar)

OPTIONAL SEAL - Inside Unitized with flush line (EPR/Carbon-Tungsten Carbide)
Temp. range -20° to +250°F. (-29° to 121°C)
Maximum pressure is 250 psi (17 bar)

OPTIONAL SEAL - Outside Type "8B2"; with flush line (EPR/Carbon-Tungsten Carbide)
Temp. range -20° to +250°F. (-29° to 121°C)
Maximum pressure is 175 psi (12 bar)





FLANGE DIMENSIONS IN INCHES (MM)			
	SIZE	THICKNESS	O.D.
Discharge	6"	1-7/16 (37)	12-1/8 (308)
Suction	6"	1-7/16 (37)	12-1/8 (308)

**VOLUTE BASE RING TAPPED FOR
3" - 125# ANSI FLANGE TO SUPPORT PUMP**

** Motor may be supplied with feet

DIMENSIONS - Inches (mm)

TC SHAFT MOTORS

MOTOR FRAME	A	B	C	D	G	F	E	H	125# ANSI			250# ANSI			R	V (Min)
									J	N	P	J	N	P		
213TC	16-13/16 (427)	33-5/8 (854)	8 (203)	10-5/16 (262)	8-3/4 (222)	12-9/16 (319)	14-7/8 (378)	36-3/16 (919)	9-1/2 (241)	8	7/8 (22)	10-5/8 (270)	12	7/8 (22)	10-5/8 (270)	5-1/2 (140)
215TC	16-13/16 (427)	33-5/8 (854)	8 (203)	10-5/16 (262)	8-3/4 (222)	12-9/16 (319)	14-7/8 (378)	36-3/16 (919)	9-1/2 (241)	8	7/8 (22)	10-5/8 (270)	12	7/8 (22)	10-5/8 (270)	5-1/2 (140)
254TC	16-13/16 (427)	33-5/8 (854)	8 (203)	10-5/16 (262)	8-3/4 (222)	12-9/16 (319)	19-7/16 (494)	40-3/4 (1035)	9-1/2 (241)	8	7/8 (22)	10-5/8 (270)	12	7/8 (22)	12-5/16 (313)	5-1/2 (140)
256TC	16-13/16 (427)	33-5/8 (854)	8 (203)	10-5/16 (262)	8-3/4 (222)	12-9/16 (319)	21-3/16 (538)	42-1/2 (1080)	9-1/2 (241)	8	7/8 (22)	10-5/8 (270)	12	7/8 (22)	12-5/16 (313)	5-1/2 (140)
284TC	16-13/16 (427)	33-5/8 (854)	8 (203)	10-5/16 (262)	8-3/4 (222)	15-1/8 (384)	22-1/16 (560)	45-15/16 (1167)	9-1/2 (241)	8	7/8 (22)	10-5/8 (270)	12	7/8 (22)	14-1/8 (359)	5-1/2 (140)
286TC	16-13/16 (427)	33-5/8 (854)	8 (203)	10-5/16 (262)	8-3/4 (222)	15-1/8 (384)	23-9/16 (598)	47-7/16 (1205)	9-1/2 (241)	8	7/8 (22)	10-5/8 (270)	12	7/8 (22)	14-1/8 (359)	5-1/2 (140)

HP SHAFT MOTORS

MOTOR FRAME	A	B	C	D	G	F	E	H	125# ANSI			250# ANSI			R	V (Min)
									J	N	P	J	N	P		
213HP	16-13/16 (427)	33-5/8 (854)	8 (203)	10-5/16 (262)	8-3/4 (222)	12-9/16 (319)	17-1/4 (438)	38-9/16 (979)	9-1/2 (241)	8	7/8 (22)	10-5/8 (270)	12	7/8 (22)	10-5/8 (270)	5-1/2 (140)
215HP	16-13/16 (427)	33-5/8 (854)	8 (203)	10-5/16 (262)	8-3/4 (222)	12-9/16 (319)	18-3/4 (476)	4 1/16 (1018)	9-1/2 (241)	8	7/8 (22)	10-5/8 (270)	12	7/8 (22)	10-5/8 (270)	5-1/2 (140)
254HP	16-13/16 (427)	33-5/8 (854)	8 (203)	10-5/16 (262)	8-3/4 (222)	12-9/16 (319)	22-3/8 (568)	43-5/8 (1108)	9-1/2 (241)	8	7/8 (22)	10-5/8 (270)	12	7/8 (22)	12-5/16 (313)	5-1/2 (140)
256HP	16-13/16 (427)	33-5/8 (854)	8 (203)	10-5/16 (262)	8-3/4 (222)	12-9/16 (319)	24-1/16 (611)	45-3/8 (1153)	9-1/2 (241)	8	7/8 (22)	10-5/8 (270)	12	7/8 (22)	12-5/16 (313)	5-1/2 (140)
284HPH	16-13/16 (427)	33-5/8 (854)	8 (203)	10-5/16 (262)	8-3/4 (222)	15-1/8 (384)	25-1/8 (638)	49 (1245)	9-1/2 (241)	8	7/8 (22)	10-5/8 (270)	12	7/8 (22)	14-1/8 (359)	5-1/2 (140)
286HPH	16-13/16 (427)	33-5/8 (854)	8 (203)	10-5/16 (262)	8-3/4 (222)	15-1/8 (384)	26-5/8 (676)	51/2 (1283)	9-1/2 (241)	8	7/8 (22)	10-5/8 (270)	12	7/8 (22)	14-1/8 (359)	5-1/2 (140)

IEC SHAFT MOTORS

MOTOR FRAME	A	B	C	D	G	F	E	H	125# ANSI			250# ANSI			R	V (Min)
									J	N	P	J	N	P		
112M	16-13/16 (427)	33-5/8 (854)	8 (203)	10-5/16 (262)	8-3/4 (222)	12-9/16 (319)	13-9/16 (344)	34-7/8 (886)	9-1/2 (241)	8	7/8 (22)	10-5/8 (270)	12	7/8 (22)	9-5/16 (237)	5-1/2 (140)
132	16-13/16 (427)	33-5/8 (854)	8 (203)	10-5/16 (262)	8-3/4 (222)	12-9/16 (319)	17-1/8 (435)	38-7/16 (976)	9-1/2 (241)	8	7/8 (22)	10-5/8 (270)	12	7/8 (22)	10-13/16 (275)	5-1/2 (140)
160M	16-13/16 (427)	33-5/8 (854)	8 (203)	10-5/16 (262)	8-3/4 (222)	15-1/8 (384)	20-1/4 (514)	44-1/8 (1121)	9-1/2 (241)	8	7/8 (22)	10-5/8 (270)	12	7/8 (22)	13 (330)	5-1/2 (140)

Dimensions are subject to change. Not to be used for construction purposes unless certified.

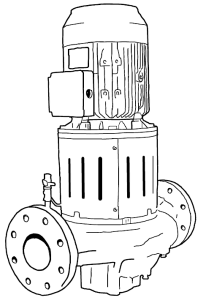
NOTE: For TEFC add 1-1/2" to dimensions E & H.

Xylem Inc.
8200 N. Austin Avenue
Morton Grove, IL 60053
Phone: (847)966-3700
Fax: (847)965-8379
www.bellgossett.com



Bell & Gossett is a trademark of Xylem Inc. or one of its subsidiaries.
© 2013 Xylem Inc.

<p>JOB:</p> <p>UNIT TAG:</p> <p>ENGINEER:</p> <p>CONTRACTOR:</p>	<p>REPRESENTATIVE:</p> <p>ORDER NO.</p> <p>SUBMITTED BY:</p> <p>APPROVED BY:</p>	<p>DATE:</p> <p>DATE:</p> <p>DATE:</p>
---	---	---



6x6x9¹/₂

Series 80[®]-SC

Spacer Coupled Vertical
In-Line Mounted Centrifugal Pumps

SPECIFICATIONS

FLOW _____ HEAD _____

HP _____ RPM _____

VOLTS _____

CYCLE _____ PHASE _____

ENCLOSURE _____

APPROX. WEIGHT _____

SPECIALS _____

MATERIALS OF CONSTRUCTION

BRONZE FITTED ALL IRON

WORKING PRESSURE

175 psi (12 bar) W.P. with 125# ANSI flange drilling

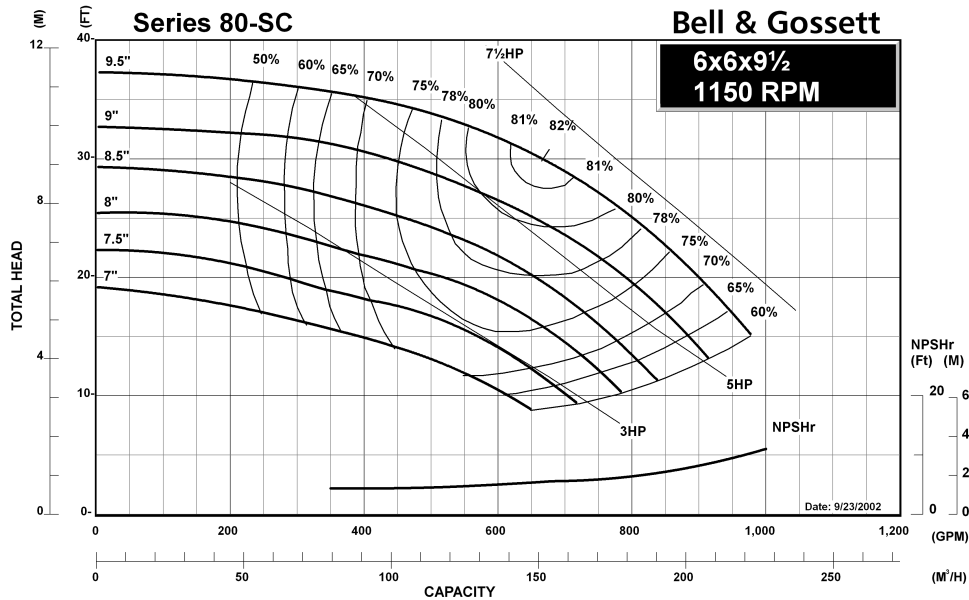
250 psi (17 bar) W.P. with 250# ANSI flange drilling

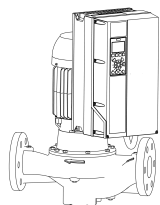
TYPE OF SEAL

STANDARD SEAL - Inside Unitized with flush line (EPR/Carbon-Ceramic)
Temp. range -20° to +250°F. (-29° to 121°C)
Maximum pressure is 175 psi (12 bar)

OPTIONAL SEAL - Inside Unitized with flush line (EPR/Carbon-Tungsten Carbide)
Temp. range -20° to +250°F. (-29° to 121°C)
Maximum pressure is 250 psi (17 bar)

OPTIONAL SEAL - Outside Type "8B2"; with flush line (EPR/Carbon-Tungsten Carbide)
Temp. range -20° to +250°F. (-29° to 121°C)
Maximum pressure is 175 psi (12 bar)

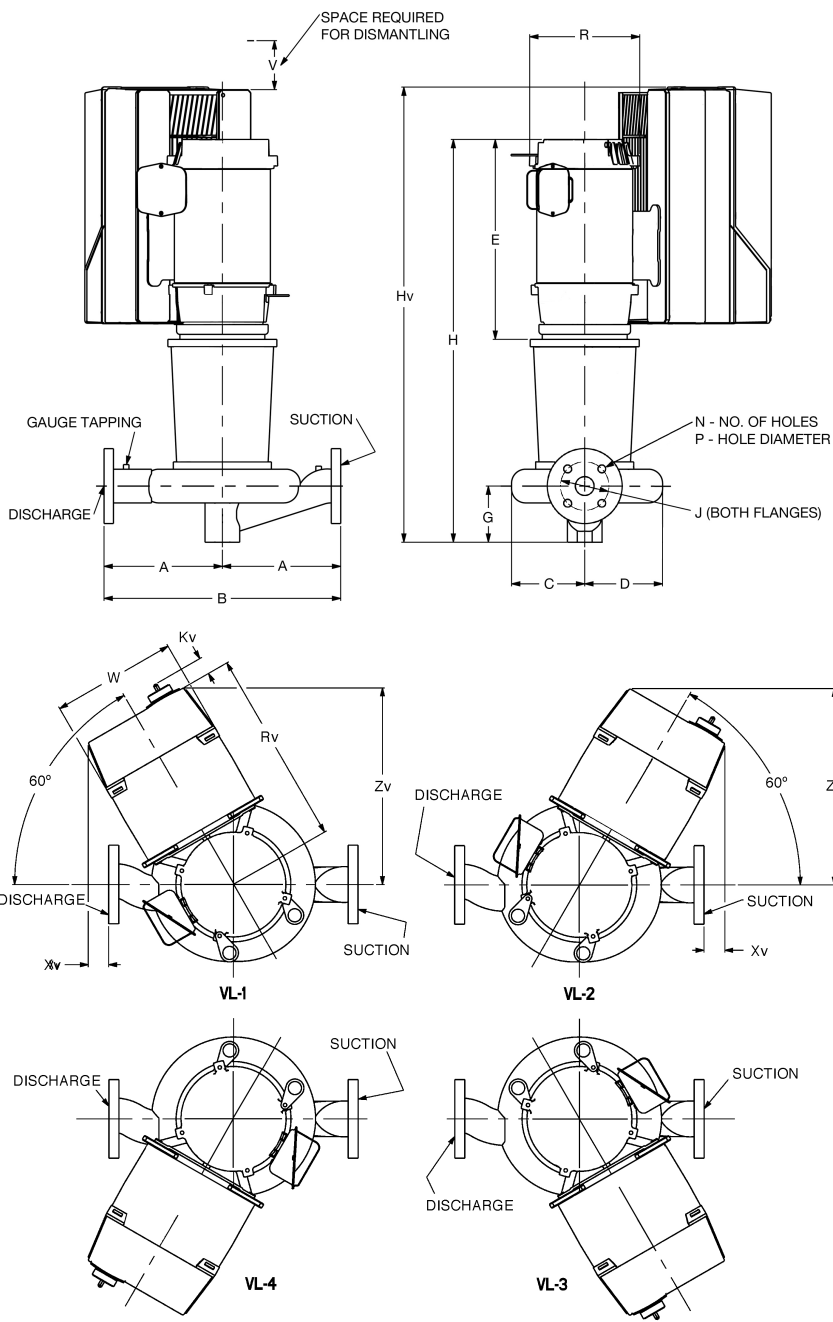




6x6x9^{1/2} Series 80SC[®]

In-Line Mounted Centrifugal Pumps
With Optional Integrated Technologic[®] featuring Sensorless Control

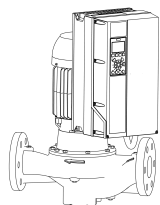
TECHNOLOGIC STANDARD FEATURES	
CONTROL METHOD	Constant Pressure, Linear Control Curve, Quadratic Control Curve Factory configured for sensorless operation standard. Field configurable for use with a wired transducer.
ENCLOSURE	IP55 / NEMA 12 / UL type 12
POWER DISCONNECT SWITCH	Included standard. Fused Disconnect Switch optional.
EMI/RFI CONTROL	Integrated filter to meet EN62800-3.
HARMONIC SUPPRESSION	Integrated non-saturating dual DC link reactors provide better harmonic performance than a 5% AC line reactor.
COOLING	Fan-cooled through temperature controlled and easy replacement.
AMBIENT TEMPERATURE RATING	14°F to 113°F (-10°C to 45°C)
COMMUNICATION PROTOCOLS	BACnet, Modbus RTU, N2 Metasys, FLN Apogee
ANALOG INPUTS	2 configurable for either voltage (0 to 10VDC) or current(0/4 to 20mA)
ANALOG OUTPUTS	1 (0/4 to 20mA) up to 500 ohm load accurate to 1% of full scale
DIGITAL INPUTS	4 (0 to 24VDC), NPN or PNP, 0 to 24VDC, on 5 msec scan interval, Up to 2 can be configured as pulse inputs.
DIGITAL OUTPUTS	2 (0 to 24VDC), 40mA max current, configurable as pulse outputs.
RELAY OUTPUTS	2 programmable, 240VAC or 400VAC up to 2 A



Xylem Inc.
8200 N. Austin Avenue
Morton Grove, IL 60053
Phone: (847)966-3700
Fax: (847)965-8379
www.bellgossett.com



Bell & Gossett is a trademark of Xylem Inc. or one of its subsidiaries.
© 2013 Xylem Inc.



6x6x9^{1/2} Series 80-SC[®]

In-Line Mounted Centrifugal Pumps
With Optional Integrated Technologic[®] featuring Sensorless Control

DIMENSIONS – Inches (mm)

TC SHAFT MOTORS

MOTOR FRAME	A	B	G	E	125# ANSI			250# ANSI			R	V (Min)	VFD	Rv	Zv	W	Hv	Xv	Kv
					J	N	P	J	N	P									
213TC	16-13/16 (427)	33-5/8 (854)	8-3/4 (222)	14-7/8 (378)	9-1/2 (241)	8	7/8 (22)	10-5/8 (270)	12	7/8 (22)	10-5/8 (270)	5-1/2 (140)	A5	13-17/32 (344)	13-53/64 (351)	9-1/2 (241)	36-3/16 (919)	6-3/8 (162)	1-1/2 (38.10)
215TC	16-13/16 (427)	33-5/8 (854)	8-3/4 (222)	14-7/8 (378)	9-1/2 (241)	8	7/8 (22)	10-5/8 (270)	12	7/8 (22)	10-5/8 (270)	5-1/2 (140)	A5	13-17/32 (344)	13-53/64 (351)	9-1/2 (241)	36-3/16 (919)	6-3/8 (162)	1-1/2 (38.10)
													B1	15-53/64 (402)	15-27/32 (402)	9-1/2 (241)	37-39/64 (955)	5-3/16 (132)	1-13/16 (45.72)
254TC	16-13/16 (427)	33-5/8 (854)	8-3/4 (222)	19-7/16 (494)	9-1/2 (241)	8	7/8 (22)	10-5/8 (270)	12	7/8 (22)	12-5/16 (313)	5-1/2 (140)	A5	14-17/32 (369)	14-45/64 (373)	9-1/2 (241)	40-3/4 (1035)	5-7/8 (149)	1-1/2 (38.10)
													B1	16-53/64 (427)	16-45/64 (424)	9-1/2 (241)	42-51/64 (1087)	4-11/16 (119)	1-13/16 (45.72)
256TC	16-13/16 (427)	33-5/8 (854)	8-3/4 (222)	21-3/16 (538)	9-1/2 (241)	8	7/8 (22)	10-5/8 (270)	12	7/8 (22)	12-5/16 (313)	5-1/2 (140)	B1	16-53/64 (427)	16-45/64 (424)	9-1/2 (241)	42-13/16 (1087)	4-11/16 (119)	1-13/16 (45.72)
													B2	16-53/64 (427)	16-45/64 (424)	9-1/2 (241)	47-17/64 (1201)	4-11/16 (119)	1-11/16 (43.18)
284TC	16-13/16 (427)	33-5/8 (854)	8-3/4 (222)	22-1/16 (560)	9-1/2 (241)	8	7/8 (22)	10-5/8 (270)	12	7/8 (22)	14-1/8 (359)	5-1/2 (140)	B1	17-37/64 (446)	17-23/64 (441)	9-1/2 (241)	45-15/16 (1167)	4-5/16 (110)	1-13/16 (45.72)
													C1	19-37/64 (497)	19-5/8 (498)	12-3/32 (307)	51-43/64 (1312)	2-13/32 (61)	1-7/8 (48.26)
286TC	16-13/16 (427)	33-5/8 (854)	8-3/4 (222)	23-9/16 (598)	9-1/2 (241)	8	7/8 (22)	10-5/8 (270)	12	7/8 (22)	14-1/8 (359)	5-1/2 (140)	B1	17-37/64 (446)	17-23/64 (441)	9-1/2 (241)	47-7/16 (1205)	4-5/16 (110)	1-13/16 (45.72)
													B2	17-37/64 (446)	17-23/64 (441)	9-1/2 (241)	50-49/64 (1289)	4-5/16 (110)	1-11/16 (43.18)
													C1	19-37/64 (497)	19-5/8 (498)	12-3/32 (307)	53-11/64 (1351)	2-13/32 (61)	1-7/8 (48.26)

Xylem Inc.
8200 N. Austin Avenue
Morton Grove, IL 60053
Phone: (847)966-3700
Fax: (847)965-8379
www.bellgossett.com

xylem
Let's Solve Water

Bell & Gossett is a trademark of Xylem Inc. or one of its subsidiaries.
© 2013 Xylem Inc.