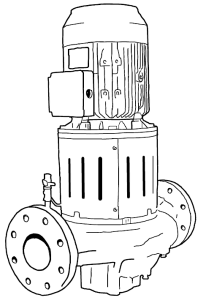


JOB: UNIT TAG: ENGINEER: CONTRACTOR:	REPRESENTATIVE: ORDER NO. SUBMITTED BY: APPROVED BY:	DATE: DATE: DATE:
---	---	--



6x6x7

Series 80[®]-SC

Spacer Coupled Vertical
In-Line Mounted Centrifugal Pumps

SPECIFICATIONS

FLOW _____ HEAD _____

HP _____ RPM _____

VOLTS _____

CYCLE _____ PHASE _____

ENCLOSURE _____

APPROX. WEIGHT _____

SPECIALS _____

MATERIALS OF CONSTRUCTION

BRONZE FITTED ALL IRON

WORKING PRESSURE

175 psi (12 bar) W.P. with 125# ANSI flange drilling

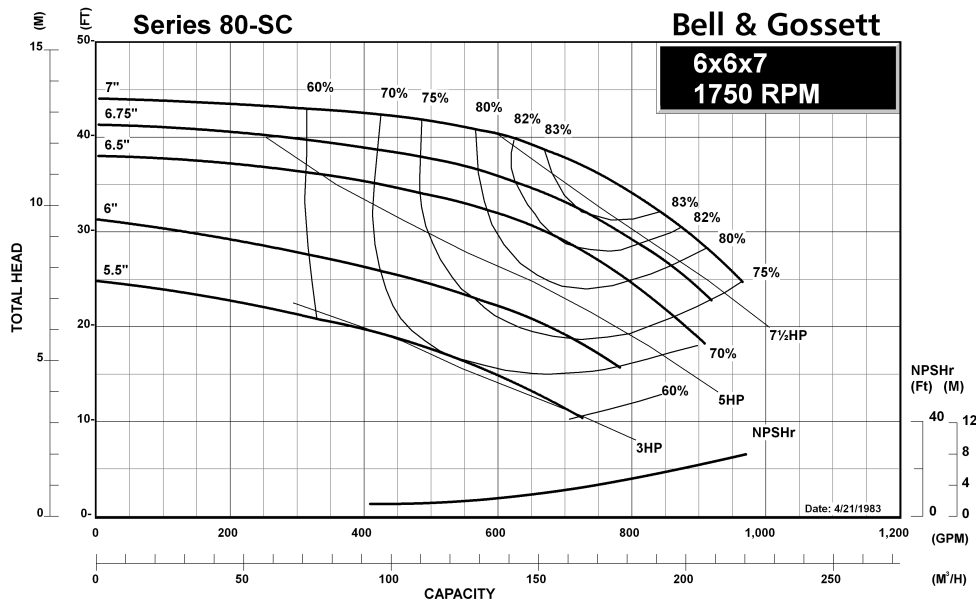
250 psi (17 bar) W.P. with 250# ANSI flange drilling

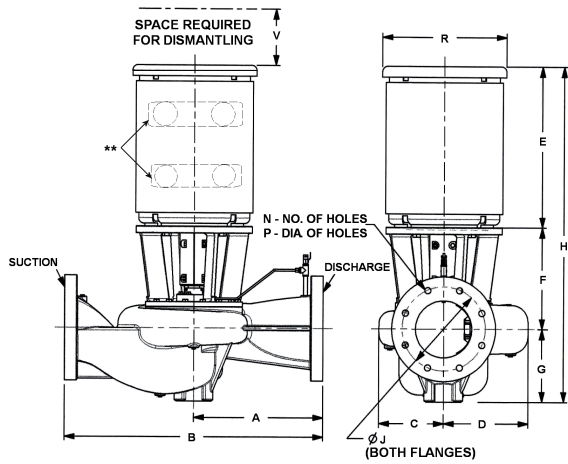
TYPE OF SEAL

STANDARD SEAL - Inside Unitized with flush line (EPR/Carbon-Ceramic)
Temp. range -20° to +250°F. (-29° to 121°C)
Maximum pressure is 175 psi (12 bar)

OPTIONAL SEAL - Inside Unitized with flush line (EPR/Carbon-Tungsten Carbide)
Temp. range -20° to +250°F. (-29° to 121°C)
Maximum pressure is 250 psi (17 bar)

OPTIONAL SEAL - Outside Type "8B2"; with flush line (EPR/Carbon-Tungsten Carbide)
Temp. range -20° to +250°F. (-29° to 121°C)
Maximum pressure is 175 psi (12 bar)





FLANGE DIMENSIONS IN INCHES (MM)			
	SIZE	THICKNESS	O.D.
Discharge	6"	1-7/16 (37)	12-1/8 (308)
Suction	6"	1-7/16 (37)	12-1/8 (308)

VOLUTE BASE RING TAPPED FOR
3" - 125# ANSI FLANGE TO SUPPORT PUMP

** Motor may be supplied with feet

DIMENSIONS - Inches (mm)

TC SHAFT MOTORS

MOTOR FRAME	A	B	C	D	G	F	E	H	125# ANSI			250# ANSI			R	V (Min)
									J	N	P	J	N	P		
182TC	14 (356)	28 (711)	6-1/2 (165)	8-1/2 (216)	8-3/8 (213)	12-15/16 (329)	12-1/4 (311)	33-9/16 (852)	9-1/2 (241)	8	7/8 (22)	10-5/8 (270)	12	7/8 (22)	8-3/4 (222)	5-1/4 (133)
184TC	14 (356)	28 (711)	6-1/2 (165)	8-1/2 (216)	8-3/8 (213)	12-15/16 (329)	13-1/4 (337)	34-9/16 (878)	9-1/2 (241)	8	7/8 (22)	10-5/8 (270)	12	7/8 (22)	8-3/4 (222)	5-1/4 (133)
213TC	14 (356)	28 (711)	6-1/2 (165)	8-1/2 (216)	8-3/8 (213)	12-15/16 (329)	14-7/8 (378)	36-3/16 (919)	9-1/2 (241)	8	7/8 (22)	10-5/8 (270)	12	7/8 (22)	10-5/8 (270)	5-1/4 (133)
215TC	14 (356)	28 (711)	6-1/2 (165)	8-1/2 (216)	8-3/8 (213)	12-15/16 (329)	14-7/8 (378)	36-3/16 (919)	9-1/2 (241)	8	7/8 (22)	10-5/8 (270)	12	7/8 (22)	10-5/8 (270)	5-1/4 (133)

HP SHAFT MOTORS

MOTOR FRAME	A	B	C	D	G	F	E	H	125# ANSI			250# ANSI			R	V (Min)
									J	N	P	J	N	P		
145HP	14 (356)	28 (711)	6-1/2 (165)	8-1/2 (216)	8-3/8 (213)	12-15/16 (329)	12-13/16 (325)	34-1/8 (867)	9-1/2 (241)	8	7/8 (22)	10-5/8 (270)	12	7/8 (22)	7-1/16 (179)	5-1/4 (133)
182HP	14 (356)	28 (711)	6-1/2 (165)	8-1/2 (216)	8-3/8 (213)	12-15/16 (329)	13-7/8 (352)	35-3/16 (894)	9-1/2 (241)	8	7/8 (22)	10-5/8 (270)	12	7/8 (22)	8-3/4 (222)	5-1/4 (133)
184HP	14 (356)	28 (711)	6-1/2 (165)	8-1/2 (216)	8-3/8 (213)	12-15/16 (329)	14-7/8 (378)	36-3/16 (919)	9-1/2 (241)	8	7/8 (22)	10-5/8 (270)	12	7/8 (22)	8-3/4 (222)	5-1/4 (133)
213HP	14 (356)	28 (711)	6-1/2 (165)	8-1/2 (216)	8-3/8 (213)	12-15/16 (329)	17-1/4 (438)	38-9/16 (979)	9-1/2 (241)	8	7/8 (22)	10-5/8 (270)	12	7/8 (22)	10-5/8 (270)	5-1/4 (133)
215HP	14 (356)	28 (711)	6-1/2 (165)	8-1/2 (216)	8-3/8 (213)	12-15/16 (329)	18-3/4 (476)	40-1/16 (1018)	9-1/2 (241)	8	7/8 (22)	10-5/8 (270)	12	7/8 (22)	10-5/8 (270)	5-1/4 (133)

IEC SHAFT MOTORS

MOTOR FRAME	A	B	C	D	G	F	E	H	125# ANSI			250# ANSI			R	V (Min)
									J	N	P	J	N	P		
90	14 (356)	28 (711)	6-1/2 (165)	8-1/2 (216)	8-3/8 (213)	12-15/16 (329)	11-5/8 (295)	32-15/16 (837)	9-1/2 (241)	8	7/8 (22)	10-5/8 (270)	12	7/8 (22)	7-1/2 (190)	5-1/4 (133)
100L	14 (356)	28 (711)	6-1/2 (165)	8-1/2 (216)	8-3/8 (213)	12-15/16 (329)	12-11/16 (322)	34 (864)	9-1/2 (241)	8	7/8 (22)	10-5/8 (270)	12	7/8 (22)	8-1/4 (210)	5-1/4 (133)
112M	14 (356)	28 (711)	6-1/2 (165)	8-1/2 (216)	8-3/8 (213)	12-15/16 (329)	13-9/16 (344)	34-7/8 (886)	9-1/2 (241)	8	7/8 (22)	10-5/8 (270)	12	7/8 (22)	9-5/16 (237)	5-1/4 (133)

Dimensions are subject to change. Not to be used for construction purposes unless certified.

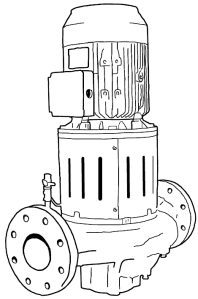
NOTE: For TEFC add 1-1/2" to dimensions E & H.

Xylem Inc.
8200 N. Austin Avenue
Morton Grove, IL 60053
Phone: (847)966-3700
Fax: (847)965-8379
www.bellgossett.com



Bell & Gossett is a trademark of Xylem Inc. or one of its subsidiaries.
© 2013 Xylem Inc.

JOB: UNIT TAG: ENGINEER: CONTRACTOR:	REPRESENTATIVE: ORDER NO. SUBMITTED BY: APPROVED BY:	DATE: DATE: DATE:
---	---	--



6x6x7

Series 80[®]-SC

Spacer Coupled Vertical
In-Line Mounted Centrifugal Pumps

SPECIFICATIONS

FLOW _____ HEAD _____

HP _____ RPM _____

VOLTS _____

CYCLE _____ PHASE _____

ENCLOSURE _____

APPROX. WEIGHT _____

SPECIALS _____

MATERIALS OF CONSTRUCTION

BRONZE FITTED ALL IRON

WORKING PRESSURE

175 psi (12 bar) W.P. with 125# ANSI flange drilling

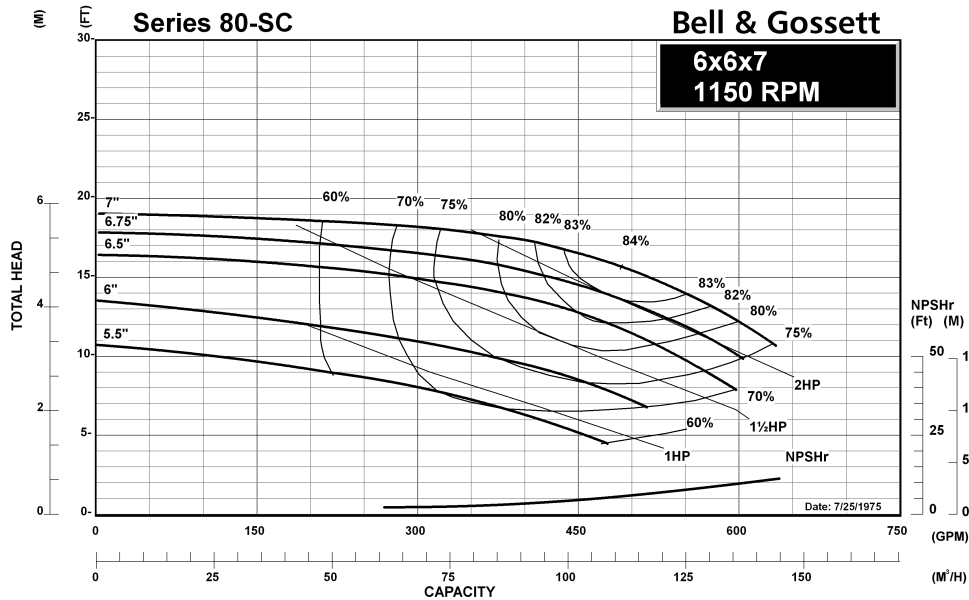
250 psi (17 bar) W.P. with 250# ANSI flange drilling

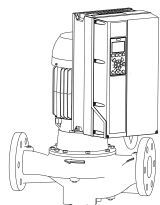
TYPE OF SEAL

STANDARD SEAL - Inside Unitized with flush line (EPR/Carbon-Ceramic)
Temp. range -20° to +250°F. (-29° to 121°C)
Maximum pressure is 175 psi (12 bar)

OPTIONAL SEAL - Inside Unitized with flush line (EPR/Carbon-Tungsten Carbide)
Temp. range -20° to +250°F. (-29° to 121°C)
Maximum pressure is 250 psi (17 bar)

OPTIONAL SEAL - Outside Type "8B2"; with flush line (EPR/Carbon-Tungsten Carbide)
Temp. range -20° to +250°F. (-29° to 121°C)
Maximum pressure is 175 psi (12 bar)

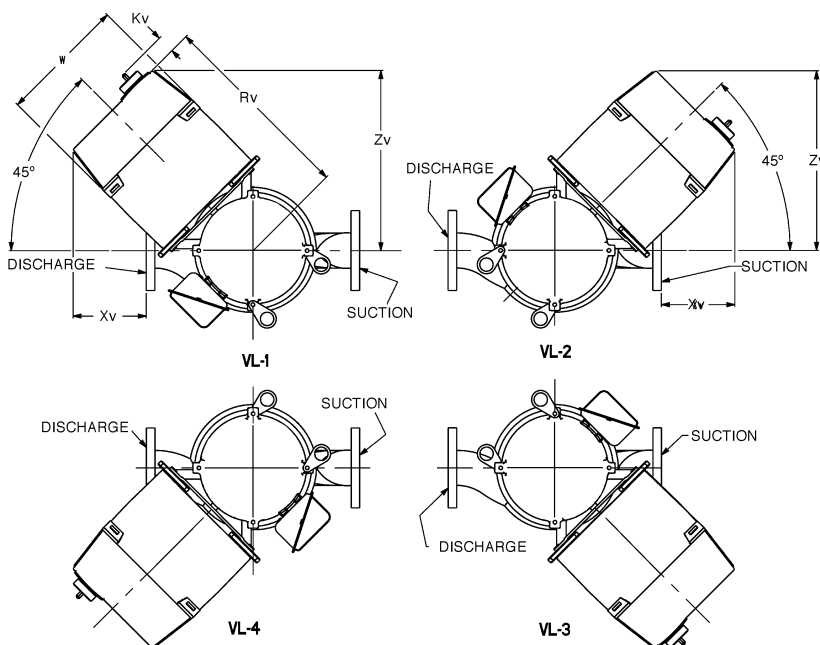
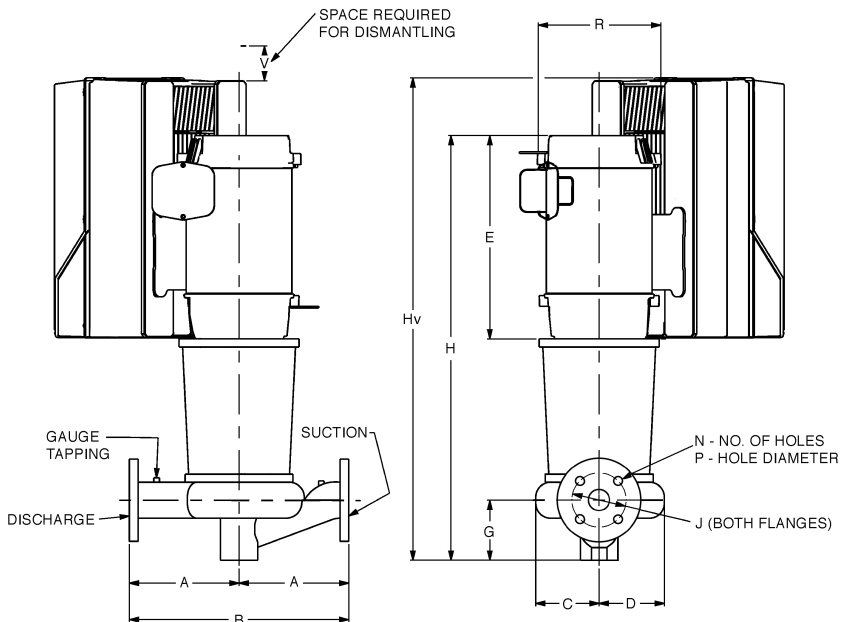




6x6x7 Series 80SC[®]

In-Line Mounted Centrifugal Pumps
With Optional Integrated Technolog[®] featuring Sensorless Control

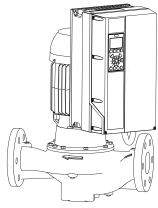
TECHNOLOGIC STANDARD FEATURES	
CONTROL METHOD	Constant Pressure, Linear Control Curve, Quadratic Control Curve Factory configured for sensorless operation standard. Field configurable for use with a wired transducer.
ENCLOSURE	IP55 / NEMA 12 / UL type 12
POWER DISCONNECT SWITCH	Included standard. Fused Disconnect Switch optional.
EMI/RFI CONTROL	Integrated filter to meet EN62800-3.
HARMONIC SUPPRESSION	Integrated non-saturating dual DC link reactors provide better harmonic performance than a 5% AC line reactor.
COOLING	Fan-cooled through temperature controlled and easy replacement.
AMBIENT TEMPERATURE RATING	14°F to 113°F (-10°C to 45°C)
COMMUNICATION PROTOCOLS	BACnet, Modbus RTU, N2 Metasys, FLN Apogee
ANALOG INPUTS	2 configurable for either voltage (0 to 10VDC) or current(0/4 to 20mA)
ANALOG OUTPUTS	1 (0/4 to 20mA) up to 500 ohm load accurate to 1% of full scale
DIGITAL INPUTS	4 (0 to 24VDC), NPN or PNP, 0 to 24VDC, on 5 msec scan interval, Up to 2 can be configured as pulse inputs.
DIGITAL OUTPUTS	2 (0 to 24VDC), 40mA max current, configurable as pulse outputs.
RELAY OUTPUTS	2 programmable, 240VAC or 400VAC up to 2 A



Xylem Inc.
8200 N. Austin Avenue
Morton Grove, IL 60053
Phone: (847)966-3700
Fax: (847)965-8379
www.bellgossett.com



Bell & Gossett is a trademark of Xylem Inc. or one of its subsidiaries.
© 2013 Xylem Inc.



6x6x7 Series 80-SC[®]

In-Line Mounted Centrifugal Pumps
With Optional Integrated Technologic[®] featuring Sensorless Control

DIMENSIONS – Inches (mm)

TC SHAFT MOTORS

MOTOR FRAME	A	B	G	E	125# ANSI			250# ANSI			R	V (Min)	VFD	Rv	Zv	W	Hv	Xv	Kv
					J	N	P	J	N	P									
182TC	14 (356)	28 (711)	8-3/8 (213)	12-1/4 (311)	9-1/2 (241)	8	7/8 (22)	10-5/8 (270)	12	7/8 (22)	8-3/4 (222)	5-1/4 (133)	A5	12-25/32 (324)	12-1/32 (306)	9-1/2 (241)	36-11/32 (923)	1-31/32 (50)	1-1/2 (38.10)
184TC	14 (356)	28 (711)	8-3/8 (213)	13-1/4 (337)	9-1/2 (241)	8	7/8 (22)	10-5/8 (270)	12	7/8 (22)	8-3/4 (222)	5-1/4 (133)	A5	12-25/32 (324)	12-1/32 (306)	9-1/2 (241)	37-11/32 (948)	1-31/32 (50)	1-1/2 (38.10)
213TC	14 (356)	28 (711)	8-3/8 (213)	14-7/8 (378)	9-1/2 (241)	8	7/8 (22)	10-5/8 (270)	12	7/8 (22)	10-5/8 (270)	5-1/4 (133)	A5	13-17/32 (344)	12-9/16 (319)	9-1/2 (241)	36-3/16 (919)	1-7/16 (37)	1-1/2 (38.10)
													B1	15-53/64 (402)	14-7/32 (361)	9-1/2 (241)	37-5/8 (956)	7/32 (5)	1-13/16 (45.72)
215TC	14 (356)	28 (711)	8-3/8 (213)	14-7/8 (378)	9-1/2 (241)	8	7/8 (22)	10-5/8 (270)	12	7/8 (22)	10-5/8 (270)	5-1/4 (133)	A5	13-17/32 (344)	12-9/16 (319)	9-1/2 (241)	36-3/16 (919)	1-7/16 (37)	1-1/2 (38.10)
													B1	15-53/64 (402)	14-7/32 (361)	9-1/2 (241)	37-39/64 (955)	7/32 (5)	1-13/16 (45.72)

Xylem Inc.
8200 N. Austin Avenue
Morton Grove, IL 60053
Phone: (847)966-3700
Fax: (847)965-8379
www.bellgossett.com

xylem
Let's Solve Water

Bell & Gossett is a trademark of Xylem Inc. or one of its subsidiaries.
© 2013 Xylem Inc.