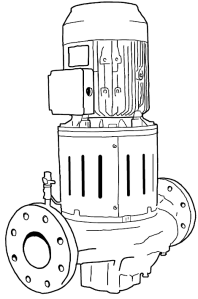


JOB:	REPRESENTATIVE:	
UNIT TAG:	ORDER NO.	DATE:
ENGINEER:	SUBMITTED BY:	DATE:
CONTRACTOR:	APPROVED BY:	DATE:



6x6x11

Series 80[®]-SC

Spacer Coupled Vertical In-Line Mounted Centrifugal Pumps

SPECIFICATIONS

FLOW _____ HEAD _____

HP _____ RPM _____

VOLTS _____

CYCLE _____ PHASE _____

ENCLOSURE _____

APPROX. WEIGHT _____

SPECIALS _____

MATERIALS OF CONSTRUCTION

BRONZE FITTED ALL IRON

WORKING PRESSURE

175 psi (12 bar) W.P. with 125# ANSI flange drilling

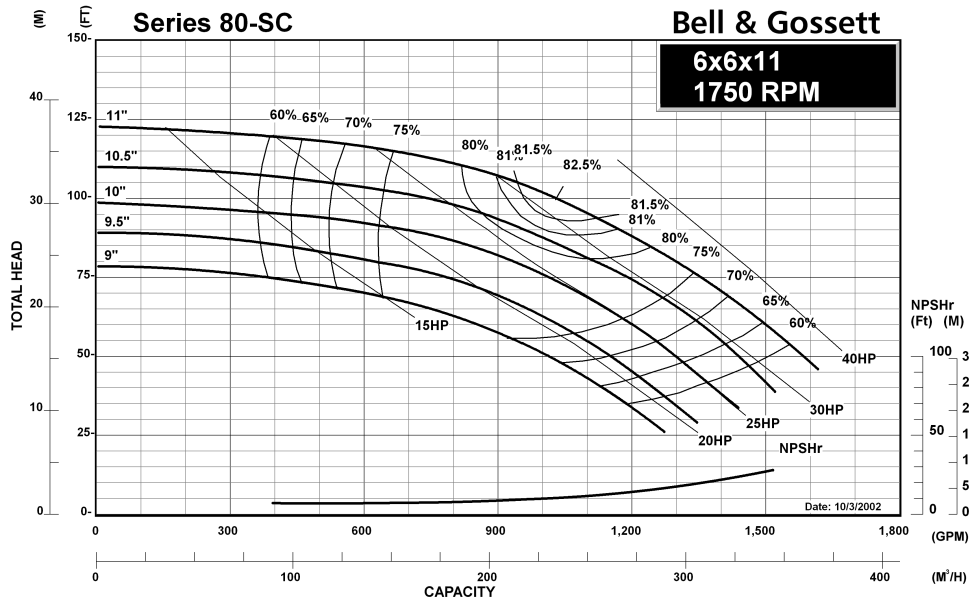
250 psi (17 bar) W.P. with 250# ANSI flange drilling

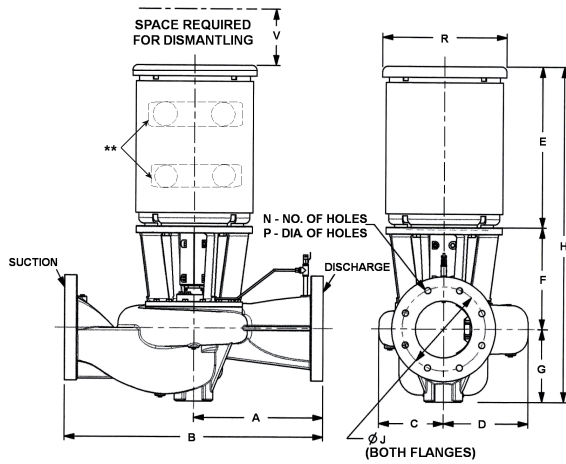
TYPE OF SEAL

STANDARD SEAL - Inside Unitized with flush line (EPR/Carbon-Ceramic)
Temp. range -20° to +250°F. (-29° to 121°C)
Maximum pressure is 175 psi (12 bar)

OPTIONAL SEAL - Inside Unitized with flush line (EPR/Carbon-Tungsten Carbide)
Temp. range -20° to +250°F. (-29° to 121°C)
Maximum pressure is 250 psi (17 bar)

OPTIONAL SEAL - Outside Type "8B2"; with flush line (EPR/Carbon-Tungsten Carbide)
Temp. range -20° to +250°F. (-29° to 121°C)
Maximum pressure is 175 psi (12 bar)





FLANGE DIMENSIONS IN INCHES (MM)			
	SIZE	THICKNESS	O.D.
Discharge	6"	1-9/16 (40)	12-1/8 (308)
Suction	6"	1-9/16 (40)	12-1/8 (308)

**VOLUTE BASE RING TAPPED FOR
3" - 125# ANSI FLANGE TO SUPPORT PUMP**

** Motor may be supplied with feet

DIMENSIONS - Inches (mm)

TC SHAFT MOTORS

MOTOR FRAME	A	B	C	D	G	F	E	H	125# ANSI			250# ANSI			R	V (Min)
									J	N	P	J	N	P		
284TC	16-1/8 (410)	32-5/16 (821)	8-7/16 (214)	10-9/16 (268)	8-3/4 (222)	13-5/8 (346)	22-1/16 (560)	44-7/16 (1129)	9-1/2 (241)	8	7/8 (22)	10-5/8 (270)	12	7/8 (22)	14-1/8 (359)	6 (152)
286TC	16-1/8 (410)	32-5/16 (821)	8-7/16 (214)	10-9/16 (268)	8-3/4 (222)	13-5/8 (346)	23-9/16 (598)	45-15/16 (1167)	9-1/2 (241)	8	7/8 (22)	10-5/8 (270)	12	7/8 (22)	14-1/8 (359)	6 (152)
324TSC	16-1/8 (410)	32-5/16 (821)	8-7/16 (214)	10-9/16 (268)	8-3/4 (222)	13-5/8 (346)	24-5/8 (625)	47 (1194)	9-1/2 (241)	8	7/8 (22)	10-5/8 (270)	12	7/8 (22)	15-9/16 (395)	6 (152)

HP SHAFT MOTORS

MOTOR FRAME	A	B	C	D	G	F	E	H	125# ANSI			250# ANSI			R	V (Min)
									J	N	P	J	N	P		
284HPH	16-1/8 (410)	32-5/16 (821)	8-7/16 (214)	10-9/16 (268)	8-3/4 (222)	13-5/8 (346)	25-1/8 (638)	47-9/16 (1208)	9-1/2 (241)	8	7/8 (22)	10-5/8 (270)	12	7/8 (22)	14-1/8 (359)	6 (152)
286HPH	16-1/8 (410)	32-5/16 (821)	8-7/16 (214)	10-9/16 (268)	8-3/4 (222)	13-5/8 (346)	26-5/8 (676)	49 (1245)	9-1/2 (241)	8	7/8 (22)	10-5/8 (270)	12	7/8 (22)	14-1/8 (359)	6 (152)
324HP	16-1/8 (410)	32-5/16 (821)	8-7/16 (214)	10-9/16 (268)	8-3/4 (222)	13-5/8 (346)	27-11/16 (703)	50-1/16 (1272)	9-1/2 (241)	8	7/8 (22)	10-5/8 (270)	12	7/8 (22)	15-9/16 (395)	6 (152)

IEC SHAFT MOTORS

MOTOR FRAME	A	B	C	D	G	F	E	H	125# ANSI			250# ANSI			R	V (Min)
									J	N	P	J	N	P		
160M	16-1/8 (410)	32-5/16 (821)	8-7/16 (214)	10-9/16 (268)	8-3/4 (222)	13-5/8 (346)	20-1/4 (514)	42-11/16 (1084)	9-1/2 (241)	8	7/8 (22)	10-5/8 (270)	12	7/8 (22)	13 (330)	6 (152)
160L	16-1/8 (410)	32-5/16 (821)	8-7/16 (214)	10-9/16 (268)	8-3/4 (222)	13-5/8 (346)	22-1/16 (560)	44-7/16 (1129)	9-1/2 (241)	8	7/8 (22)	10-5/8 (270)	12	7/8 (22)	13 (330)	6 (152)

Dimensions are subject to change. Not to be used for construction purposes unless certified.

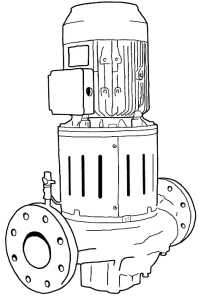
NOTE: For TEFC add 1-1/2" to dimensions E & H.

Xylem Inc.
8200 N. Austin Avenue
Morton Grove, IL 60053
Phone: (847)966-3700
Fax: (847)965-8379
www.bellgossett.com



Bell & Gossett is a trademark of Xylem Inc. or one of its subsidiaries.
© 2013 Xylem Inc.

JOB: UNIT TAG: ENGINEER: CONTRACTOR:	REPRESENTATIVE: ORDER NO. SUBMITTED BY: APPROVED BY:	DATE: DATE: DATE:
---	---	--



6x6x11

Series 80[®]-SC

Spacer Coupled Vertical In-Line Mounted Centrifugal Pumps

SPECIFICATIONS

FLOW _____ HEAD _____

HP _____ RPM _____

VOLTS _____

CYCLE _____ PHASE _____

ENCLOSURE _____

APPROX. WEIGHT _____

SPECIALS _____

MATERIALS OF CONSTRUCTION

BRONZE FITTED ALL IRON

WORKING PRESSURE

175 psi (12 bar) W.P. with 125# ANSI flange drilling

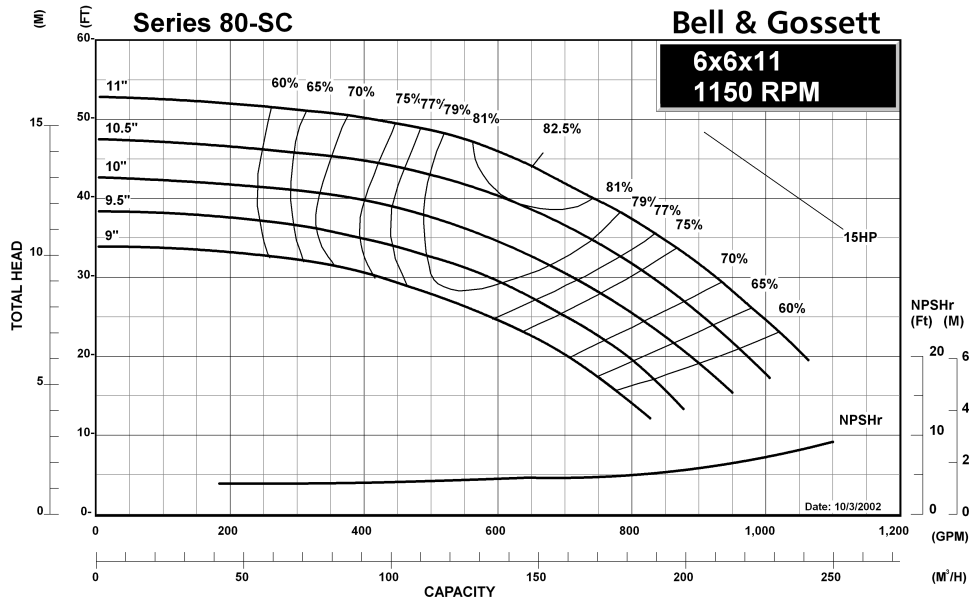
250 psi (17 bar) W.P. with 250# ANSI flange drilling

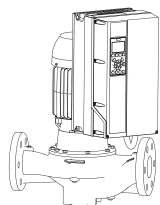
TYPE OF SEAL

STANDARD SEAL - Inside Unitized with flush line (EPR/Carbon-Ceramic)
Temp. range -20° to +250°F. (-29° to 121°C)
Maximum pressure is 175 psi (12 bar)

OPTIONAL SEAL - Inside Unitized with flush line (EPR/Carbon-Tungsten Carbide)
Temp. range -20° to +250°F. (-29° to 121°C)
Maximum pressure is 250 psi (17 bar)

OPTIONAL SEAL - Outside Type "8B2"; with flush line (EPR/Carbon-Tungsten Carbide)
Temp. range -20° to +250°F. (-29° to 121°C)
Maximum pressure is 175 psi (12 bar)

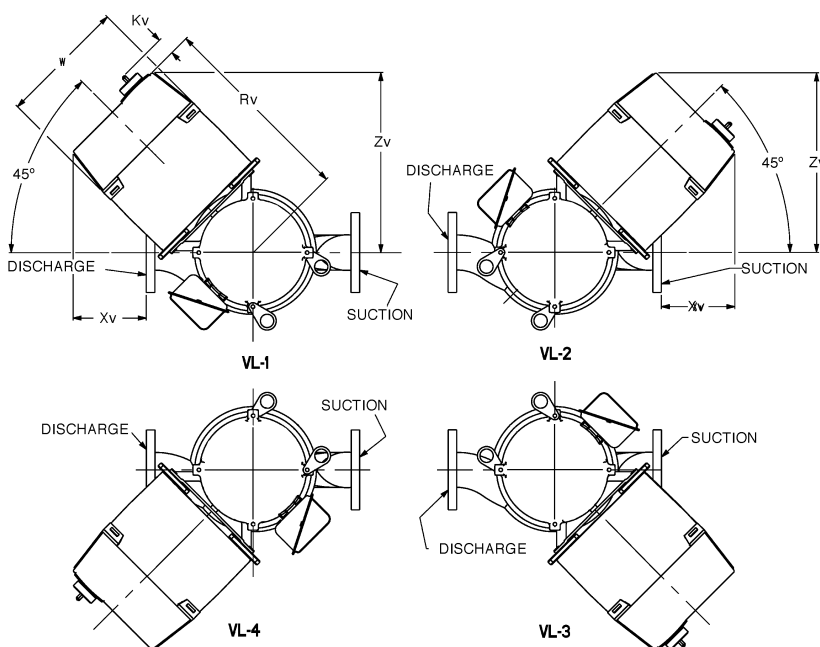
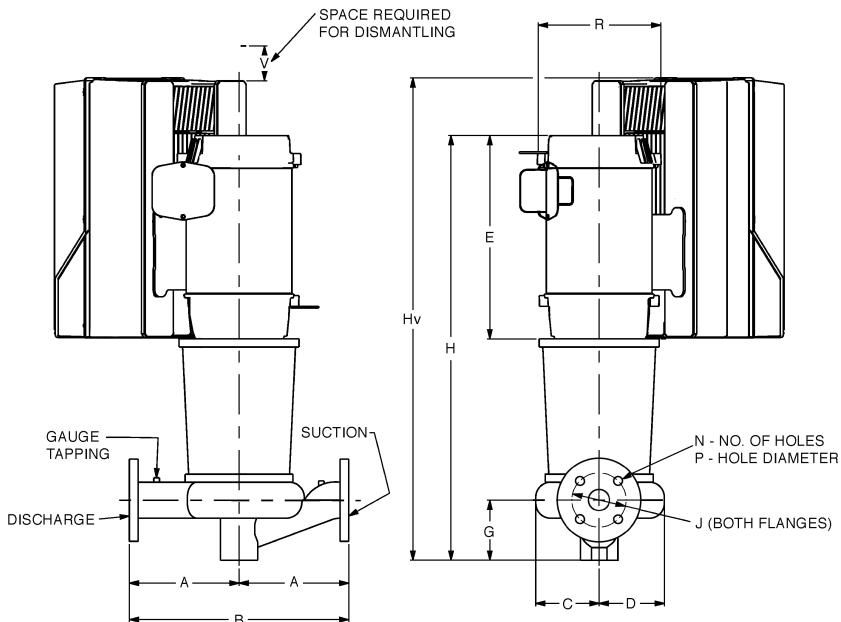




6x6x11 Series 80SC[®]

In-Line Mounted Centrifugal Pumps
With Optional Integrated Technolog[®] featuring Sensorless Control

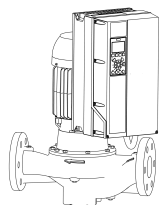
TECHNOLOGIC STANDARD FEATURES	
CONTROL METHOD	Constant Pressure, Linear Control Curve, Quadratic Control Curve Factory configured for sensorless operation standard. Field configurable for use with a wired transducer.
ENCLOSURE	IP55 / NEMA 12 / UL type 12
POWER DISCONNECT SWITCH	Included standard. Fused Disconnect Switch optional.
EMI/RFI CONTROL	Integrated filter to meet EN62800-3.
HARMONIC SUPPRESSION	Integrated non-saturating dual DC link reactors provide better harmonic performance than a 5% AC line reactor.
COOLING	Fan-cooled through temperature controlled and easy replacement.
AMBIENT TEMPERATURE RATING	14°F to 113°F (-10°C to 45°C)
COMMUNICATION PROTOCOLS	BACnet, Modbus RTU, N2 Metasys, FLN Apogee
ANALOG INPUTS	2 configurable for either voltage (0 to 10VDC) or current(0/4 to 20mA)
ANALOG OUTPUTS	1 (0/4 to 20mA) up to 500 ohm load accurate to 1% of full scale
DIGITAL INPUTS	4 (0 to 24VDC), NPN or PNP, 0 to 24VDC, on 5 msec scan interval, Up to 2 can be configured as pulse inputs.
DIGITAL OUTPUTS	2 (0 to 24VDC), 40mA max current, configurable as pulse outputs.
RELAY OUTPUTS	2 programmable, 240VAC or 400VAC up to 2 A



Xylem Inc.
8200 N. Austin Avenue
Morton Grove, IL 60053
Phone: (847)966-3700
Fax: (847)965-8379
www.bellgossett.com

xylem
Let's Solve Water

Bell & Gossett is a trademark of Xylem Inc. or one of its subsidiaries.
© 2013 Xylem Inc.



6x6x11 Series 80-SC[®]

In-Line Mounted Centrifugal Pumps
With Optional Integrated Technologic[®] featuring Sensorless Control

DIMENSIONS – Inches (mm)

TC SHAFT MOTORS

MOTOR FRAME	A	B	G	E	125# ANSI			250# ANSI			R	V (Min)	VFD	Rv	Zv	W	Hv	Xv	Kv
					J	N	P	J	N	P									
284TC	16-1/8 (410)	32-5/16 (821)	8-3/4 (222)	22-1/16 (560)	9-1/2 (241)	8	7/8 (22)	10-5/8 (270)	12	7/8 (22)	14-1/8 (359)	6 (152)	B1	17-37/64 (446)	15-29/64 (392)	9-1/2 (241)	44-7/16 (1129)	43/64 (17)	1-13/16 (45.72)
													C1	19-37/64 (497)	17-5/8 (448)	12-3/32 (307)	50-11/64 (1274)	1-1/2 (38)	1-7/8 (48.26)
286TC	16-1/8 (410)	32-5/16 (821)	8-3/4 (222)	23-9/16 (598)	9-1/2 (241)	8	7/8 (22)	10-5/8 (270)	12	7/8 (22)	14-1/8 (359)	6 (152)	B2	17-37/64 (446)	15-29/64 (392)	9-1/2 (241)	49-17/64 (1251)	43/64 (17)	1-11/16 (43.18)
													C1	19-37/64 (497)	17-5/8 (448)	12-3/32 (307)	51-43/64 (1312)	1-1/2 (38)	1-7/8 (48.26)
324TSC	16-1/8 (410)	32-5/16 (821)	8-3/4 (222)	24-5/8 (625)	9-1/2 (241)	8	7/8 (22)	10-5/8 (270)	12	7/8 (22)	15-9/16 (395)	6 (152)	B2	18-37/64 (472)	16-5/32 (410)	9-1/2 (241)	52-11/64 (1325)	1/32 (1)	1-11/16 (43.18)
													C1	20-37/64 (523)	18-21/64 (465)	12-3/32 (307)	52-33/64 (1334)	2-13/64 (56)	1-7/8 (48.26)

Xylem Inc.
8200 N. Austin Avenue
Morton Grove, IL 60053
Phone: (847)966-3700
Fax: (847)965-8379
www.bellgossett.com

xylem
Let's Solve Water

Bell & Gossett is a trademark of Xylem Inc. or one of its subsidiaries.
© 2013 Xylem Inc.