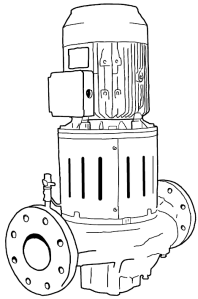


JOB:	REPRESENTATIVE:	
UNIT TAG:	ORDER NO.	DATE:
ENGINEER:	SUBMITTED BY:	DATE:
CONTRACTOR:	APPROVED BY:	DATE:



5x5x7

Series 80[®]-SC

Spacer Coupled Vertical
In-Line Mounted Centrifugal Pumps

SPECIFICATIONS

FLOW _____ HEAD _____

HP _____ RPM _____

VOLTS _____

CYCLE _____ PHASE _____

ENCLOSURE _____

APPROX. WEIGHT _____

SPECIALS _____

MATERIALS OF CONSTRUCTION

BRONZE FITTED ALL IRON

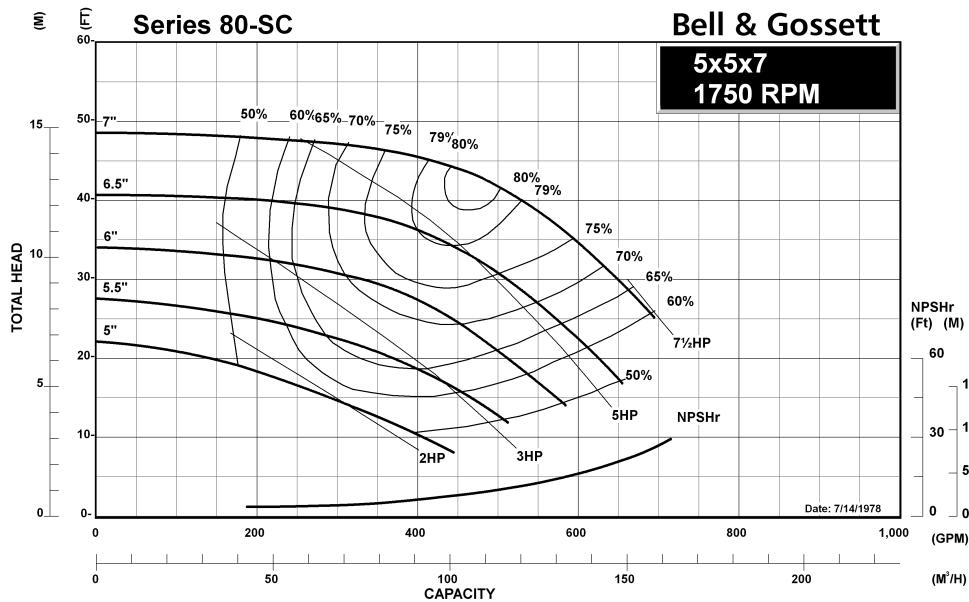
WORKING PRESSURE

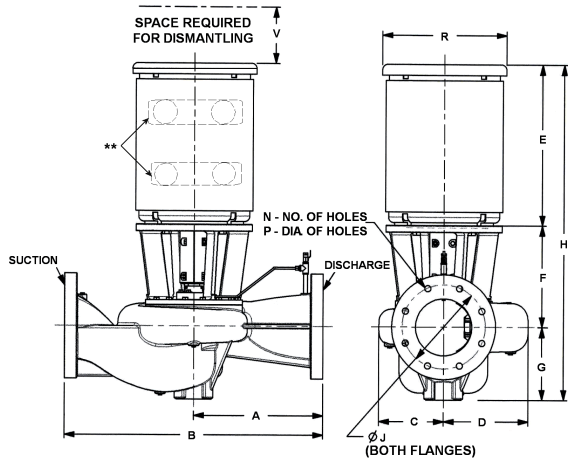
175 psi (12 bar) W.P.
with 125# ANSI flange
drilling

250 psi (17 bar) W.P.
with 250# ANSI flange
drilling

TYPE OF SEAL

- STANDARD SEAL - Inside Unitized with flush line (EPR/Carbon-Ceramic)
Temp. range -20° to +250°F. (-29° to 121°C)
Maximum pressure is 175 psi (12 bar)
- OPTIONAL SEAL - Inside Unitized with flush line (EPR/Carbon-Tungsten Carbide)
Temp. range -20° to +250°F. (-29° to 121°C)
Maximum pressure is 250 psi (17 bar)
- OPTIONAL SEAL - Outside Type "8B2"; with flush line (EPR/Carbon-Tungsten Carbide)
Temp. range -20° to +250°F. (-29° to 121°C)
Maximum pressure is 175 psi (12 bar)





FLANGE DIMENSIONS IN INCHES (MM)			
	SIZE	THICKNESS	O.D.
Discharge	5"	1-3/8 (35)	10-3/4 (273)
Suction	5"	1-3/8 (35)	10-3/4 (273)

VOLUTE BASE RING TAPPED FOR 3" - 125# ANSI FLANGE TO SUPPORT PUMP

** Motor may be supplied with feet

DIMENSIONS - Inches (mm)

TC SHAFT MOTORS

MOTOR FRAME	A	B	C	D	G	F	E	H	125# ANSI			250# ANSI			R	V (Min)
									J	N	P	J	N	P		
182TC	12 (305)	24 (610)	5-3/4 (146)	7-1/4 (184)	7-1/4 (184)	12-5/8 (321)	12-1/4 (311)	32-1/8 (816)	8-1/2 (216)	8	7/8 (22)	9-1/4 (235)	8	7/8 (22)	8-3/4 (222)	5 (127)
184TC	12 (305)	24 (610)	5-3/4 (146)	7-1/4 (184)	7-1/4 (184)	12-5/8 (321)	13-1/4 (337)	33-1/8 (841)	8-1/2 (216)	8	7/8 (22)	9-1/4 (235)	8	7/8 (22)	8-3/4 (222)	5 (127)
213TC	12 (305)	24 (610)	5-3/4 (146)	7-1/4 (184)	7-1/4 (184)	12-5/8 (321)	14-7/8 (378)	34-3/4 (883)	8-1/2 (216)	8	7/8 (22)	9-1/4 (235)	8	7/8 (22)	10-5/8 (270)	5 (127)
215TC	12 (305)	24 (610)	5-3/4 (146)	7-1/4 (184)	7-1/4 (184)	12-5/8 (321)	14-7/8 (378)	34-3/4 (883)	8-1/2 (216)	8	7/8 (22)	9-1/4 (235)	8	7/8 (22)	10-5/8 (270)	5 (127)

HP SHAFT MOTORS

MOTOR FRAME	A	B	C	D	G	F	E	H	125# ANSI			250# ANSI			R	V (Min)
									J	N	P	J	N	P		
143HP	12 (305)	24 (610)	5-3/4 (146)	7-1/4 (184)	7-1/4 (184)	12-5/8 (321)	11-13/16 (300)	31-11/16 (805)	8-1/2 (216)	8	7/8 (22)	9-1/4 (235)	8	7/8 (22)	7-1/16 (179)	5 (127)
145HP	12 (305)	24 (610)	5-3/4 (146)	7-1/4 (184)	7-1/4 (184)	12-5/8 (321)	12-13/16 (325)	32-11/16 (830)	8-1/2 (216)	8	7/8 (22)	9-1/4 (235)	8	7/8 (22)	7-1/16 (179)	5 (127)
182HP	12 (305)	24 (610)	5-3/4 (146)	7-1/4 (184)	7-1/4 (184)	12-5/8 (321)	13-7/8 (352)	33-3/4 (857)	8-1/2 (216)	8	7/8 (22)	9-1/4 (235)	8	7/8 (22)	8-3/4 (222)	5 (127)
184HP	12 (305)	24 (610)	5-3/4 (146)	7-1/4 (184)	7-1/4 (184)	12-5/8 (321)	14-7/8 (378)	34-3/4 (883)	8-1/2 (216)	8	7/8 (22)	9-1/4 (235)	8	7/8 (22)	8-3/4 (222)	5 (127)
213HP	12 (305)	24 (610)	5-3/4 (146)	7-1/4 (184)	7-1/4 (184)	12-5/8 (321)	17-1/4 (438)	37-1/8 (943)	8-1/2 (216)	8	7/8 (22)	9-1/4 (235)	8	7/8 (22)	10-5/8 (270)	5 (127)
215HP	12 (305)	24 (610)	5-3/4 (146)	7-1/4 (184)	7-1/4 (184)	12-5/8 (321)	18-3/4 (476)	38-5/8 (981)	8-1/2 (216)	8	7/8 (22)	9-1/4 (235)	8	7/8 (22)	10-5/8 (270)	5 (127)

IEC SHAFT MOTORS

MOTOR FRAME	A	B	C	D	G	F	E	H	125# ANSI			250# ANSI			R	V (Min)
									J	N	P	J	N	P		
90	12 (305)	24 (610)	5-3/4 (146)	7-1/4 (184)	7-1/4 (184)	12-5/8 (321)	11-5/8 (295)	31-1/2 (800)	8-1/2 (216)	8	7/8 (22)	9-1/4 (235)	8	7/8 (22)	7-1/2 (190)	5 (127)
100L	12 (305)	24 (610)	5-3/4 (146)	7-1/4 (184)	7-1/4 (184)	12-5/8 (321)	12-11/16 (322)	32-9/16 (827)	8-1/2 (216)	8	7/8 (22)	9-1/4 (235)	8	7/8 (22)	8-1/4 (210)	5 (127)
112M	12 (305)	24 (610)	5-3/4 (146)	7-1/4 (184)	7-1/4 (184)	12-5/8 (321)	13-9/16 (344)	33-7/16 (849)	8-1/2 (216)	8	7/8 (22)	9-1/4 (235)	8	7/8 (22)	9-5/16 (237)	5 (127)
132	12 (305)	24 (610)	5-3/4 (146)	7-1/4 (184)	7-1/4 (184)	12-5/8 (321)	17-1/8 (435)	37 (940)	8-1/2 (216)	8	7/8 (22)	9-1/4 (235)	8	7/8 (22)	10-13/16 (275)	5 (127)
160M	12 (305)	24 (610)	5-3/4 (146)	7-1/4 (184)	7-1/4 (184)	15-3/16 (386)	20-1/4 (514)	42-3/4 (1086)	8-1/2 (216)	8	7/8 (22)	9-1/4 (235)	8	7/8 (22)	13 (330)	5 (127)
160L	12 (305)	24 (610)	5-3/4 (146)	7-1/4 (184)	7-1/4 (184)	15-3/16 (386)	22-1/16 (560)	44-1/2 (1130)	8-1/2 (216)	8	7/8 (22)	9-1/4 (235)	8	7/8 (22)	13 (330)	5 (127)
180M	12 (305)	24 (610)	5-3/4 (146)	7-1/4 (184)	7-1/4 (184)	15-3/16 (386)	23-1/4 (591)	45-11/16 (1160)	8-1/2 (216)	8	7/8 (22)	9-1/4 (235)	8	7/8 (22)	14-15/16 (379)	5 (127)

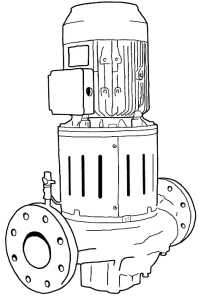
Dimensions are subject to change. Not to be used for construction purposes unless certified.

NOTE: For TEFC add 1-1/2" to dimensions E & H.

Xylem Inc.
8200 N. Austin Avenue
Morton Grove, IL 60053
Phone: (847)966-3700
Fax: (847)965-8379
www.bellgossett.com



<p>JOB:</p> <p>UNIT TAG:</p> <p>ENGINEER:</p> <p>CONTRACTOR:</p>	<p>REPRESENTATIVE:</p> <p>ORDER NO.</p> <p>SUBMITTED BY:</p> <p>APPROVED BY:</p>	<p>DATE:</p> <p>DATE:</p> <p>DATE:</p>
---	---	---



5x5x7

Series 80[®]-SC

Spacer Coupled Vertical
In-Line Mounted Centrifugal Pumps

SPECIFICATIONS

FLOW _____ HEAD _____

HP _____ RPM _____

VOLTS _____

CYCLE _____ PHASE _____

ENCLOSURE _____

APPROX. WEIGHT _____

SPECIALS _____

MATERIALS OF CONSTRUCTION

BRONZE FITTED ALL IRON

WORKING PRESSURE

175 psi (12 bar) W.P.
with 125# ANSI flange drilling

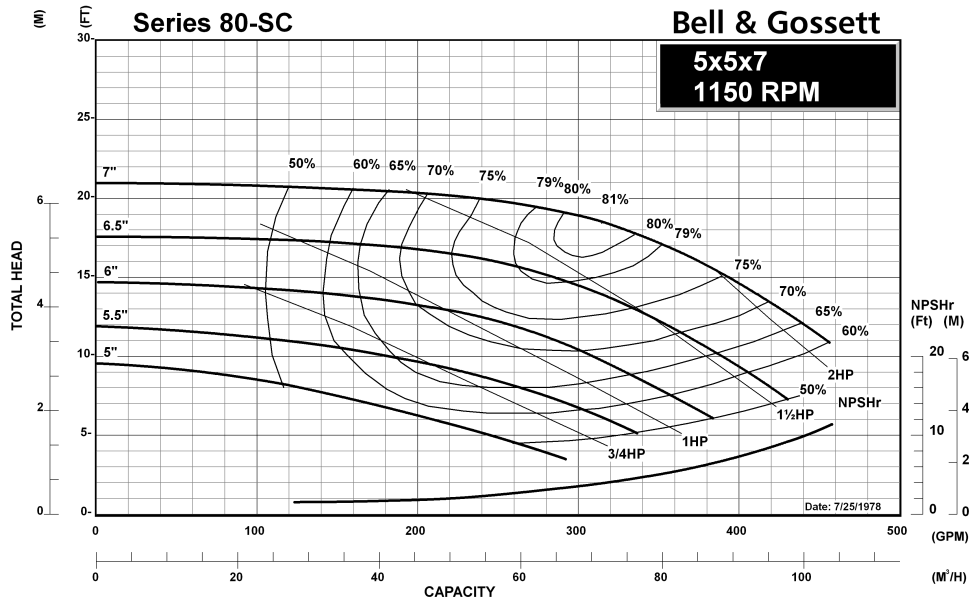
250 psi (17 bar) W.P.
with 250# ANSI flange drilling

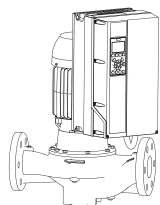
TYPE OF SEAL

STANDARD SEAL - Inside Unitized with flush line (EPR/Carbon-Ceramic)
Temp. range -20° to +250°F. (-29° to 121°C)
Maximum pressure is 175 psi (12 bar)

OPTIONAL SEAL - Inside Unitized with flush line (EPR/Carbon-Tungsten Carbide)
Temp. range -20° to +250°F. (-29° to 121°C)
Maximum pressure is 250 psi (17 bar)

OPTIONAL SEAL - Outside Type "8B2"; with flush line (EPR/Carbon-Tungsten Carbide)
Temp. range -20° to +250°F. (-29° to 121°C)
Maximum pressure is 175 psi (12 bar)

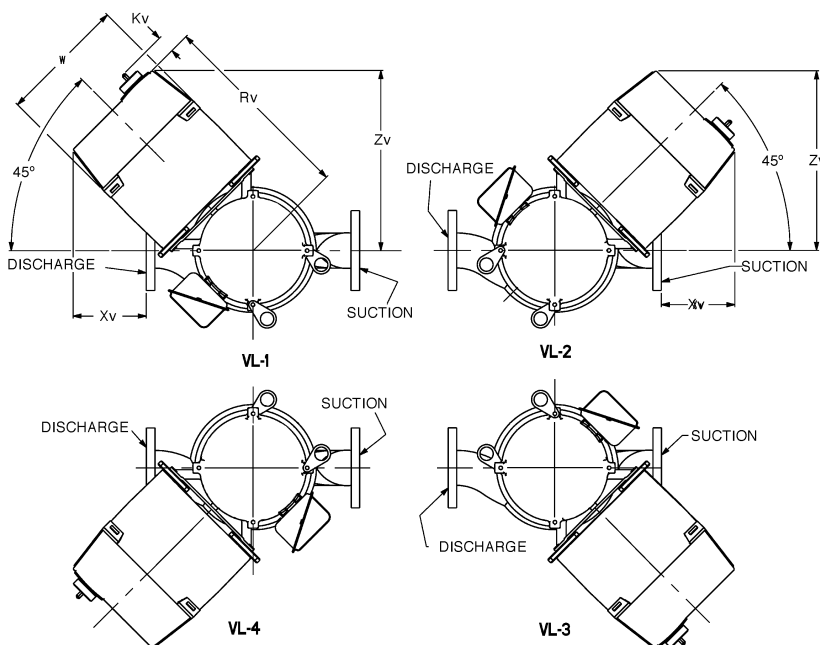
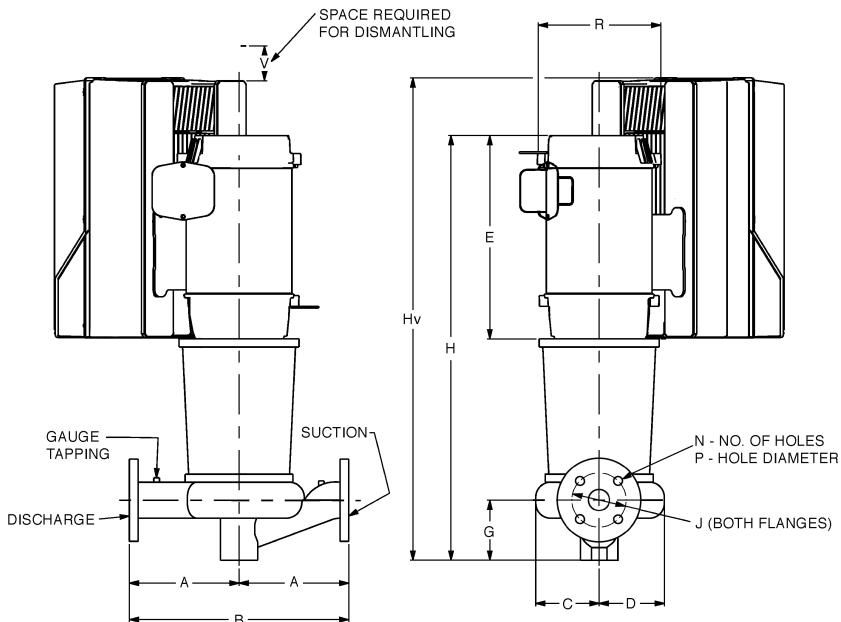




5x5x7 Series 80SC[®]

In-Line Mounted Centrifugal Pumps
With Optional Integrated Technolog[®] featuring Sensorless Control

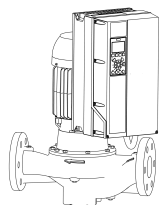
TECHNOLOGIC STANDARD FEATURES	
CONTROL METHOD	Constant Pressure, Linear Control Curve, Quadratic Control Curve Factory configured for sensorless operation standard. Field configurable for use with a wired transducer.
ENCLOSURE	IP55 / NEMA 12 / UL type 12
POWER DISCONNECT SWITCH	Included standard. Fused Disconnect Switch optional.
EMI/RFI CONTROL	Integrated filter to meet EN62800-3.
HARMONIC SUPPRESSION	Integrated non-saturating dual DC link reactors provide better harmonic performance than a 5% AC line reactor.
COOLING	Fan-cooled through temperature controlled and easy replacement.
AMBIENT TEMPERATURE RATING	14°F to 113°F (-10°C to 45°C)
COMMUNICATION PROTOCOLS	BACnet, Modbus RTU, N2 Metasys, FLN Apogee
ANALOG INPUTS	2 configurable for either voltage (0 to 10VDC) or current(0/4 to 20mA)
ANALOG OUTPUTS	1 (0/4 to 20mA) up to 500 ohm load accurate to 1% of full scale
DIGITAL INPUTS	4 (0 to 24VDC), NPN or PNP, 0 to 24VDC, on 5 msec scan interval, Up to 2 can be configured as pulse inputs.
DIGITAL OUTPUTS	2 (0 to 24VDC), 40mA max current, configurable as pulse outputs.
RELAY OUTPUTS	2 programmable, 240VAC or 400VAC up to 2 A



Xylem Inc.
8200 N. Austin Avenue
Morton Grove, IL 60053
Phone: (847)966-3700
Fax: (847)965-8379
www.bellgossett.com



Bell & Gossett is a trademark of Xylem Inc. or one of its subsidiaries.
© 2013 Xylem Inc.



5x5x7 Series 80-SC[®]

In-Line Mounted Centrifugal Pumps
With Optional Integrated Technologic[®] featuring Sensorless Control

DIMENSIONS – Inches (mm)

TC SHAFT MOTORS

MOTOR FRAME	A	B	G	E	125# ANSI			250# ANSI			R	V (Min)	VFD	Rv	Zv	W	Hv	Xv	Kv
					J	N	P	J	N	P									
182TC	12 (305)	24 (610)	7-1/4 (184)	12-1/4 (311)	8-1/2 (216)	8	7/8 (22)	9-1/4 (235)	8	7/8 (22)	8-3/4 (222)	5 (127)	A5	12-25/32 (324)	12-1/32 (306)	9-1/2 (241)	34-29/32 (887)	1/32 (1)	1-1/2 (38.10)
184TC	12 (305)	24 (610)	7-1/4 (184)	13-1/4 (337)	8-1/2 (216)	8	7/8 (22)	9-1/4 (235)	8	7/8 (22)	8-3/4 (222)	5 (127)	A5	12-25/32 (324)	12-1/32 (306)	9-1/2 (241)	35-29/32 (912)	1/32 (1)	1-1/2 (38.10)
213TC	12 (305)	24 (610)	7-1/4 (184)	14-7/8 (378)	8-1/2 (216)	8	7/8 (22)	9-1/4 (235)	8	7/8 (22)	10-5/8 (270)	5 (127)	A5	13-17/32 (344)	12-9/16 (319)	9-1/2 (241)	34-3/4 (883)	9/16 (14)	1-1/2 (38.10)
													B1	15-53/64 (402)	14-7/32 (361)	9-1/2 (241)	36-3/16 (919)	2-7/32 (56)	1-13/16 (45.72)
215TC	12 (305)	24 (610)	7-1/4 (184)	14-7/8 (378)	8-1/2 (216)	8	7/8 (22)	9-1/4 (235)	8	7/8 (22)	10-5/8 (270)	5 (127)	A5	13-17/32 (344)	12-9/16 (319)	9-1/2 (241)	34-3/4 (883)	9/16 (14)	1-1/2 (38.10)
													B1	15-53/64 (402)	14-7/32 (361)	9-1/2 (241)	36-11/64 (919)	2-7/32 (56)	1-13/16 (45.72)

Xylem Inc.
8200 N. Austin Avenue
Morton Grove, IL 60053
Phone: (847)966-3700
Fax: (847)965-8379
www.bellgossett.com

xylem
Let's Solve Water

Bell & Gossett is a trademark of Xylem Inc. or one of its subsidiaries.
© 2013 Xylem Inc.