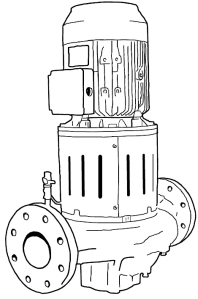


<b>JOB:</b>	<b>REPRESENTATIVE:</b>	
<b>UNIT TAG:</b>	<b>ORDER NO.</b>	<b>DATE:</b>
<b>ENGINEER:</b>	<b>SUBMITTED BY:</b>	<b>DATE:</b>
<b>CONTRACTOR:</b>	<b>APPROVED BY:</b>	<b>DATE:</b>



# 4x4x9<sup>1/2</sup> Series 80<sup>®</sup>-SC

Spacer Coupled Vertical  
In-Line Mounted Centrifugal Pumps

**SPECIFICATIONS**

FLOW \_\_\_\_\_ HEAD \_\_\_\_\_  
 HP \_\_\_\_\_ RPM \_\_\_\_\_  
 VOLTS \_\_\_\_\_  
 CYCLE \_\_\_\_\_ PHASE \_\_\_\_\_  
 ENCLOSURE \_\_\_\_\_  
 APPROX. WEIGHT \_\_\_\_\_  
 SPECIALS \_\_\_\_\_

**MATERIALS OF CONSTRUCTION**

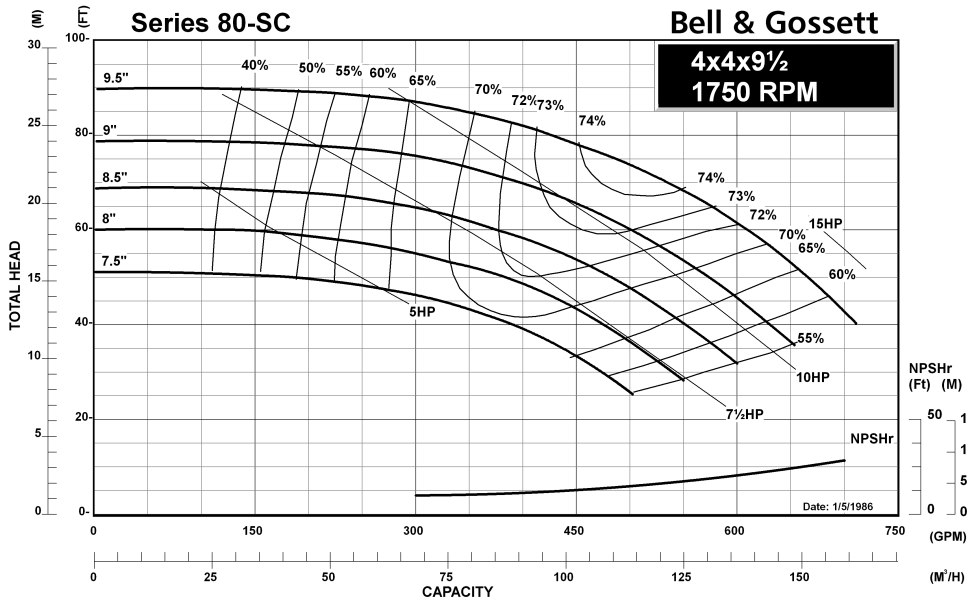
BRONZE FITTED     ALL IRON

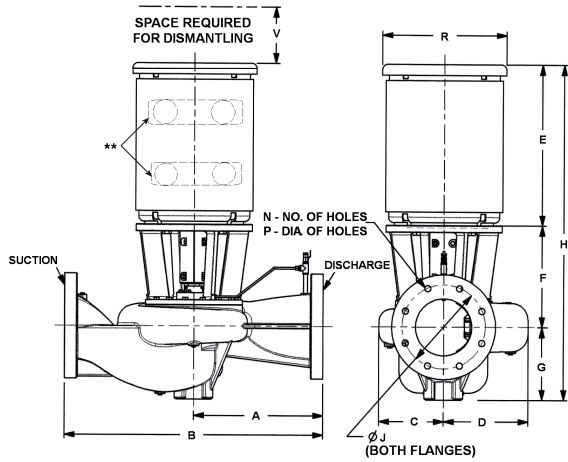
**WORKING PRESSURE**

175 psi (12 bar) W.P.  
with 125# ANSI flange drilling  
 250 psi (17 bar) W.P.  
with 250# ANSI flange drilling

**TYPE OF SEAL**

STANDARD SEAL - Inside Unitized with flush line (EPR/Carbon-Ceramic)  
Temp. range -20° to +250°F. (-29° to 121°C)  
Maximum pressure is 175 psi (12 bar)  
 OPTIONAL SEAL - Inside Unitized with flush line (EPR/Carbon-Tungsten Carbide)  
Temp. range -20° to +250°F. (-29° to 121°C)  
Maximum pressure is 250 psi (17 bar)  
 OPTIONAL SEAL - Outside Type "8B2"; with flush line (EPR/Carbon-Tungsten Carbide)  
Temp. range -20° to +250°F. (-29° to 121°C)  
Maximum pressure is 175 psi (12 bar)





FLANGE DIMENSIONS IN INCHES (MM)			
	SIZE	THICKNESS	O.D.
Discharge	4"	1-1/4 (32)	9-1/2 (241)
Suction	4"	1-1/4 (32)	9-1/2 (241)

**VOLUTE BASE RING TAPPED FOR  
3" - 125# ANSI FLANGE TO SUPPORT PUMP**

\*\* Motor may be supplied with feet

**DIMENSIONS - Inches (mm)**

**TC SHAFT MOTORS**

MOTOR FRAME	A	B	C	D	G	F	E	H	125# ANSI			250# ANSI			R	V (Min)
									J	N	P	J	N	P		
182TC	12-1/2 (318)	25 (635)	7-1/4 (184)	8-1/2 (216)	7-1/8 (181)	12-3/4 (324)	12-1/4 (311)	32-1/8 (816)	7-1/2 (190)	8	3/4 (19)	7-7/8 (200)	8	7/8 (22)	8-3/4 (222)	5 (127)
184TC	12-1/2 (318)	25 (635)	7-1/4 (184)	8-1/2 (216)	7-1/8 (181)	12-3/4 (324)	13-1/4 (337)	33-1/8 (841)	7-1/2 (190)	8	3/4 (19)	7-7/8 (200)	8	7/8 (22)	8-3/4 (222)	5 (127)
213TC	12-1/2 (318)	25 (635)	7-1/4 (184)	8-1/2 (216)	7-1/8 (181)	12-3/4 (324)	14-7/8 (378)	34-13/16 (884)	7-1/2 (190)	8	3/4 (19)	7-7/8 (200)	8	7/8 (22)	10-5/8 (270)	5 (127)
215TC	12-1/2 (318)	25 (635)	7-1/4 (184)	8-1/2 (216)	7-1/8 (181)	12-3/4 (324)	14-7/8 (378)	34-13/16 (884)	7-1/2 (190)	8	3/4 (19)	7-7/8 (200)	8	7/8 (22)	10-5/8 (270)	5 (127)
254TC	12-1/2 (318)	25 (635)	7-1/4 (184)	8-1/2 (216)	7-1/8 (181)	12-3/4 (324)	19-7/16 (494)	39-3/8 (1000)	7-1/2 (190)	8	3/4 (19)	7-7/8 (200)	8	7/8 (22)	12-5/16 (313)	5 (127)

**HP SHAFT MOTORS**

MOTOR FRAME	A	B	C	D	G	F	E	H	125# ANSI			250# ANSI			R	V (Min)
									J	N	P	J	N	P		
182HP	12-1/2 (318)	25 (635)	7-1/4 (184)	8-1/2 (216)	7-1/8 (181)	12-3/4 (324)	13-7/8 (352)	33-13/16 (859)	7-1/2 (190)	8	3/4 (19)	7-7/8 (200)	8	7/8 (22)	8-3/4 (222)	5 (127)
184HP	12-1/2 (318)	25 (635)	7-1/4 (184)	8-1/2 (216)	7-1/8 (181)	12-3/4 (324)	14-7/8 (378)	34-13/16 (884)	7-1/2 (190)	8	3/4 (19)	7-7/8 (200)	8	7/8 (22)	8-3/4 (222)	5 (127)
213HP	12-1/2 (318)	25 (635)	7-1/4 (184)	8-1/2 (216)	7-1/8 (181)	12-3/4 (324)	17-1/4 (438)	37-1/8 (943)	7-1/2 (190)	8	3/4 (19)	7-7/8 (200)	8	7/8 (22)	10-5/8 (270)	5 (127)
215HP	12-1/2 (318)	25 (635)	7-1/4 (184)	8-1/2 (216)	7-1/8 (181)	12-3/4 (324)	18-3/4 (476)	38-5/8 (981)	7-1/2 (190)	8	3/4 (19)	7-7/8 (200)	8	7/8 (22)	10-5/8 (270)	5 (127)
254HP	12-1/2 (318)	25 (635)	7-1/4 (184)	8-1/2 (216)	7-1/8 (181)	12-3/4 (324)	22-3/8 (568)	42-1/4 (1073)	7-1/2 (190)	8	3/4 (19)	7-7/8 (200)	8	7/8 (22)	12-5/16 (313)	5 (127)

**IEC SHAFT MOTORS**

MOTOR FRAME	A	B	C	D	G	F	E	H	125# ANSI			250# ANSI			R	V (Min)
									J	N	P	J	N	P		
100L	12-1/2 (318)	25 (635)	7-1/4 (184)	8-1/2 (216)	7-1/8 (181)	12-3/4 (324)	12-11/16 (322)	32-9/16 (827)	7-1/2 (190)	8	3/4 (19)	7-7/8 (200)	8	7/8 (22)	8-1/4 (210)	5 (127)
112M	12-1/2 (318)	25 (635)	7-1/4 (184)	8-1/2 (216)	7-1/8 (181)	12-3/4 (324)	13-9/16 (344)	33-1/2 (851)	7-1/2 (190)	8	3/4 (19)	7-7/8 (200)	8	7/8 (22)	9-5/16 (237)	5 (127)
132	12-1/2 (318)	25 (635)	7-1/4 (184)	8-1/2 (216)	7-1/8 (181)	12-3/4 (324)	17-1/8 (435)	37 (940)	7-1/2 (190)	8	3/4 (19)	7-7/8 (200)	8	7/8 (22)	10-13/16 (275)	5 (127)

Dimensions are subject to change. Not to be used for construction purposes unless certified.

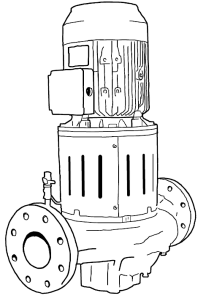
NOTE: For TEFC add 1-1/2" to dimensions E & H.

Xylem Inc.  
8200 N. Austin Avenue  
Morton Grove, IL 60053  
Phone: (847)966-3700  
Fax: (847)965-8379  
www.bellgossett.com



Bell & Gossett is a trademark of Xylem Inc. or one of its subsidiaries.  
© 2013 Xylem Inc.

<b>JOB:</b>	<b>REPRESENTATIVE:</b>	
<b>UNIT TAG:</b>	<b>ORDER NO.</b>	<b>DATE:</b>
<b>ENGINEER:</b>	<b>SUBMITTED BY:</b>	<b>DATE:</b>
<b>CONTRACTOR:</b>	<b>APPROVED BY:</b>	<b>DATE:</b>



# 4x4x9<sup>1/2</sup> Series 80<sup>®</sup>-SC

Spacer Coupled Vertical  
In-Line Mounted Centrifugal Pumps

**SPECIFICATIONS**

FLOW \_\_\_\_\_ HEAD \_\_\_\_\_

HP \_\_\_\_\_ RPM \_\_\_\_\_

VOLTS \_\_\_\_\_

CYCLE \_\_\_\_\_ PHASE \_\_\_\_\_

ENCLOSURE \_\_\_\_\_

APPROX. WEIGHT \_\_\_\_\_

SPECIALS \_\_\_\_\_

\_\_\_\_\_

\_\_\_\_\_

**MATERIALS OF CONSTRUCTION**

BRONZE FITTED     ALL IRON

**WORKING PRESSURE**

175 psi (12 bar) W.P.  
with 125# ANSI flange  
drilling

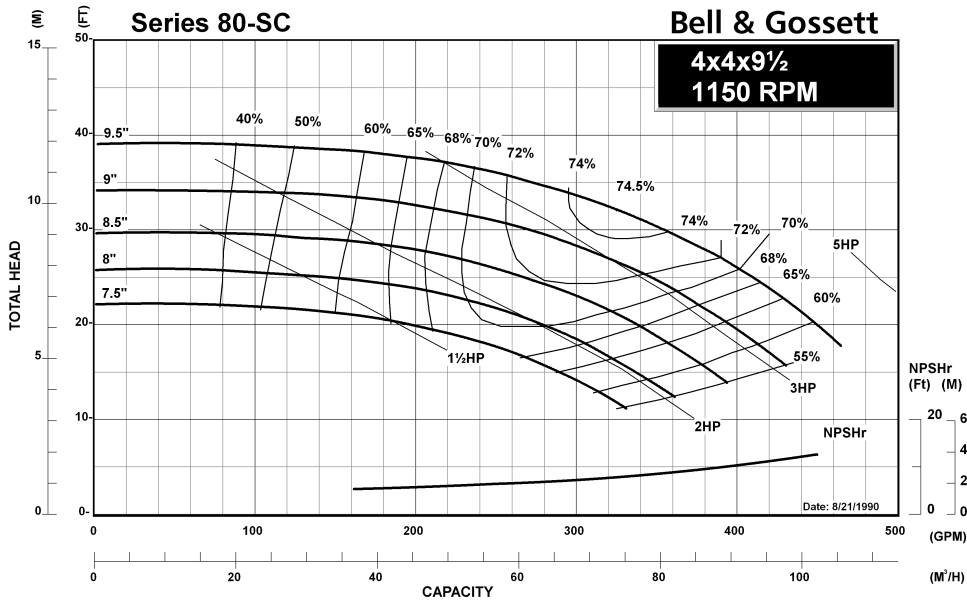
250 psi (17 bar) W.P.  
with 250# ANSI flange  
drilling

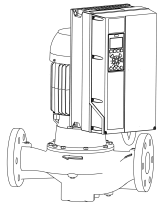
**TYPE OF SEAL**

STANDARD SEAL - Inside Unitized with flush line (EPR/Carbon-Ceramic)  
Temp. range -20° to +250°F. (-29° to 121°C)  
Maximum pressure is 175 psi (12 bar)

OPTIONAL SEAL - Inside Unitized with flush line (EPR/Carbon-Tungsten Carbide)  
Temp. range -20° to +250°F. (-29° to 121°C)  
Maximum pressure is 250 psi (17 bar)

OPTIONAL SEAL - Outside Type "8B2"; with flush line (EPR/Carbon-Tungsten Carbide)  
Temp. range -20° to +250°F. (-29° to 121°C)  
Maximum pressure is 175 psi (12 bar)

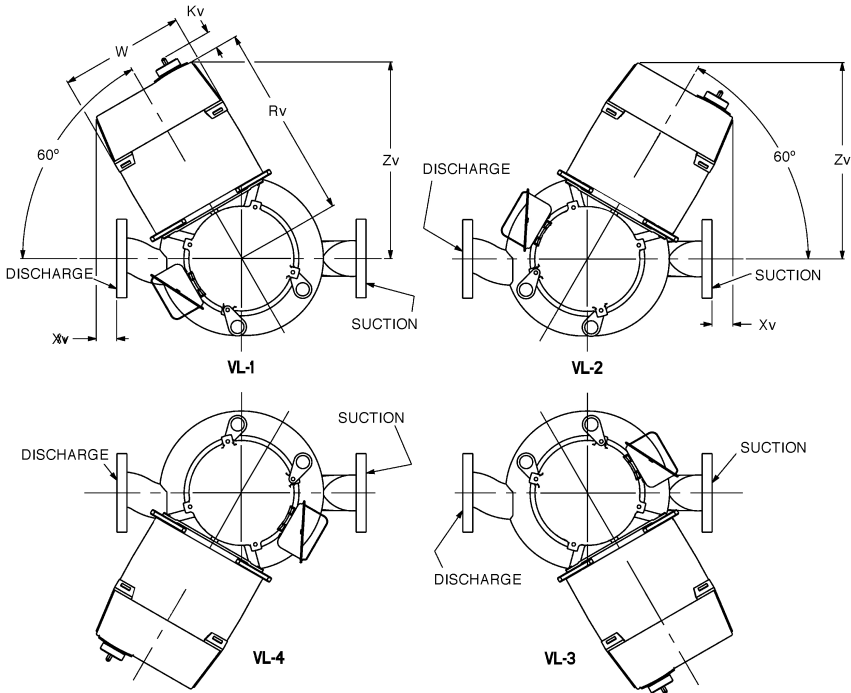
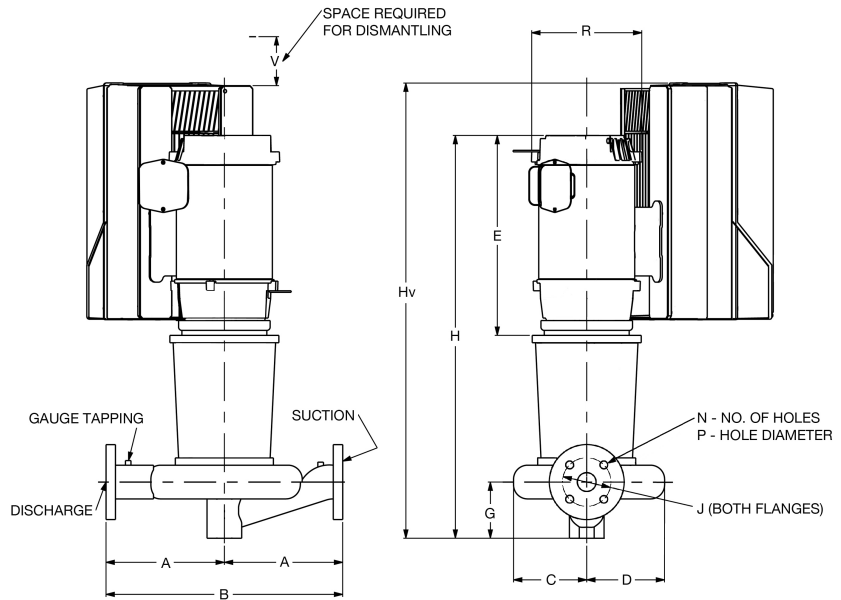




# 4x4x9<sup>1</sup>/<sub>2</sub> Series 80SC<sup>®</sup>

In-Line Mounted Centrifugal Pumps  
With Optional Integrated Technologic<sup>®</sup> featuring Sensorless Control

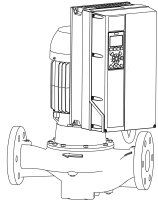
TECHNOLOGIC STANDARD FEATURES	
CONTROL METHOD	Constant Pressure, Linear Control Curve, Quadratic Control Curve Factory configured for sensorless operation standard. Field configurable for use with a wired transducer.
ENCLOSURE	IP55 / NEMA 12 / UL type 12
POWER DISCONNECT SWITCH	Included standard. Fused Disconnect Switch optional.
EMI/RFI CONTROL	Integrated filter to meet EN62800-3.
HARMONIC SUPPRESSION	Integrated non-saturating dual DC link reactors provide better harmonic performance than a 5% AC line reactor.
COOLING	Fan-cooled through temperature controlled and easy replacement.
AMBIENT TEMPERATURE RATING	14°F to 113°F (-10°C to 45°C)
COMMUNICATION PROTOCOLS	BACnet, Modbus RTU, N2 Metasys, FLN Apogee
ANALOG INPUTS	2 configurable for either voltage (0 to 10VDC) or current(0/4 to 20mA)
ANALOG OUTPUTS	1 (0/4 to 20mA) up to 500 ohm load accurate to 1% of full scale
DIGITAL INPUTS	4 (0 to 24VDC), NPN or PNP, 0 to 24VDC, on 5 msec scan interval, Up to 2 can be configured as pulse inputs.
DIGITAL OUTPUTS	2 (0 to 24VDC), 40mA max current, configurable as pulse outputs.
RELAY OUTPUTS	2 programmable, 240VAC or 400VAC up to 2 A



Xylem Inc.  
8200 N. Austin Avenue  
Morton Grove, IL 60053  
Phone: (847)966-3700  
Fax: (847)965-8379  
www.bellgossett.com



Bell & Gossett is a trademark of Xylem Inc. or one of its subsidiaries.  
© 2013 Xylem Inc.



# 4x4x9<sup>1</sup>/<sub>2</sub> Series 80-SC<sup>®</sup>

In-Line Mounted Centrifugal Pumps  
With Optional Integrated Technologic<sup>®</sup> featuring Sensorless Control

## DIMENSIONS – Inches (mm)

## TC SHAFT MOTORS

MOTOR FRAME	A	B	G	E	125# ANSI			250# ANSI			R	V (Min)	VFD	Rv	Zv	W	Hv	Xv	Kv
					J	N	P	J	N	P									
182TC	12-1/2 (318)	25 (635)	7-1/8 (181)	12-1/4 (311)	7-1/2 (190)	8	3/4 (19)	7-7/8 (200)	8	7/8 (22)	8-3/4 (222)	5 (127)	A5	12-25/32 (324)	13-3/16 (335)	9-1/2 (241)	34-29/32 (887)	2-7/16 (62)	1-1/2 (38.10)
184TC	12-1/2 (318)	25 (635)	7-1/8 (181)	13-1/4 (337)	7-1/2 (190)	8	3/4 (19)	7-7/8 (200)	8	7/8 (22)	8-3/4 (222)	5 (127)	A5	12-25/32 (324)	13-3/16 (335)	9-1/2 (241)	35-29/32 (912)	2-7/16 (62)	1-1/2 (38.10)
213TC	12-1/2 (318)	25 (635)	7-1/8 (181)	14-7/8 (378)	7-1/2 (190)	8	3/4 (19)	7-7/8 (200)	8	7/8 (22)	10-5/8 (270)	5 (127)	A5	13-17/32 (344)	13-53/64 (351)	9-1/2 (241)	34-13/16 (884)	2-1/16 (52)	1-1/2 (38.10)
													B1	15-53/64 (402)	15-27/32 (402)	9-1/2 (241)	36-1/4 (921)	7/8 (22)	1-13/16 (45.72)
215TC	12-1/2 (318)	25 (635)	7-1/8 (181)	14-7/8 (378)	7-1/2 (190)	8	3/4 (19)	7-7/8 (200)	8	7/8 (22)	10-5/8 (270)	5 (127)	A5	13-17/32 (344)	13-53/64 (351)	9-1/2 (241)	34-13/16 (884)	2-1/16 (52)	1-1/2 (38.10)
													B1	15-53/64 (402)	15-27/32 (402)	9-1/2 (241)	36-15/64 (920)	7/8 (22)	1-13/16 (45.72)
254TC	12-1/2 (318)	25 (635)	7-1/8 (181)	19-7/16 (494)	7-1/2 (190)	8	3/4 (19)	7-7/8 (200)	8	7/8 (22)	12-5/16 (313)	5 (127)	B1	16-53/64 (427)	16-45/64 (424)	9-1/2 (241)	41-27/64 (1052)	3/8 (10)	1-13/16 (45.72)

Xylem Inc.  
8200 N. Austin Avenue  
Morton Grove, IL 60053  
Phone: (847)966-3700  
Fax: (847)965-8379  
www.bellgossett.com

**xylem**  
Let's Solve Water

Bell & Gossett is a trademark of Xylem Inc. or one of its subsidiaries.  
© 2013 Xylem Inc.