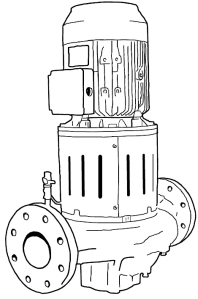


JOB: UNIT TAG: ENGINEER: CONTRACTOR:	REPRESENTATIVE: ORDER NO. SUBMITTED BY: APPROVED BY:	DATE: DATE: DATE:
---	---	--



4x4x7

Series 80[®]-SC

Spacer Coupled Vertical
In-Line Mounted Centrifugal Pumps

SPECIFICATIONS

FLOW _____ HEAD _____

HP _____ RPM _____

VOLTS _____

CYCLE _____ PHASE _____

ENCLOSURE _____

APPROX. WEIGHT _____

SPECIALS _____

MATERIALS OF CONSTRUCTION

BRONZE FITTED ALL IRON

WORKING PRESSURE

175 psi (12 bar) W.P. with 125# ANSI flange drilling

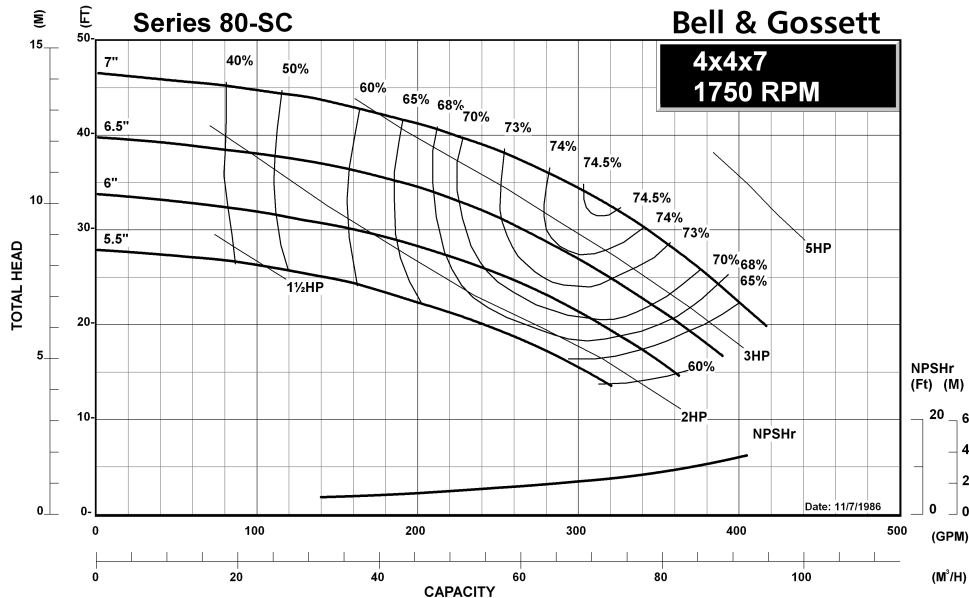
250 psi (17 bar) W.P. with 250# ANSI flange drilling

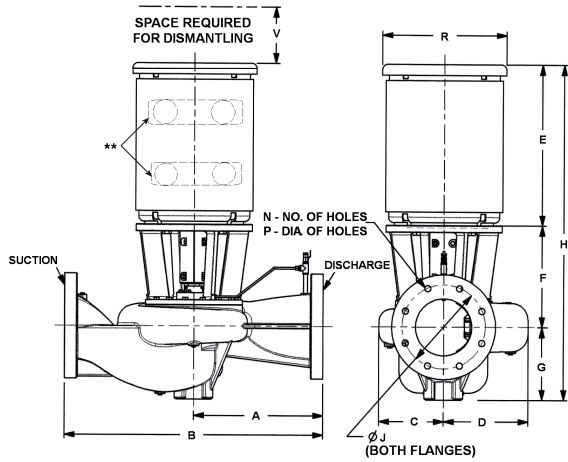
TYPE OF SEAL

STANDARD SEAL - Inside Unitized with flush line (EPR/Carbon-Ceramic)
Temp. range -20° to +250°F. (-29° to 121°C)
Maximum pressure is 175 psi (12 bar)

OPTIONAL SEAL - Inside Unitized with flush line (EPR/Carbon-Tungsten Carbide)
Temp. range -20° to +250°F. (-29° to 121°C)
Maximum pressure is 250 psi (17 bar)

OPTIONAL SEAL - Outside Type "8B2"; with flush line (EPR/Carbon-Tungsten Carbide)
Temp. range -20° to +250°F. (-29° to 121°C)
Maximum pressure is 175 psi (12 bar)





FLANGE DIMENSIONS IN INCHES (MM)			
	SIZE	THICKNESS	O.D.
Discharge	4"	1-1/4 (32)	9-1/2 (241)
Suction	4"	1-1/4 (32)	9-1/2 (241)

**VOLUTE BASE RING TAPPED FOR
3" - 125# ANSI FLANGE TO SUPPORT PUMP**

** Motor may be supplied with feet

DIMENSIONS - Inches (mm)

TC SHAFT MOTORS

MOTOR FRAME	A	B	C	D	G	F	E	H	125# ANSI			250# ANSI			R	V (Min)
									J	N	P	J	N	P		
182TC	10-1/2 (267)	21 (533)	5-1/2 (140)	6-1/4 (159)	6-3/8 (162)	12-3/16 (310)	12-1/4 (311)	30-13/16 (783)	7-1/2 (190)	8	3/4 (19)	7-7/8 (200)	8	7/8 (22)	8-3/4 (222)	4-3/4 (121)
184TC	10-1/2 (267)	21 (533)	5-1/2 (140)	6-1/4 (159)	6-3/8 (162)	12-3/16 (310)	13-1/4 (337)	31-13/16 (808)	7-1/2 (190)	8	3/4 (19)	7-7/8 (200)	8	7/8 (22)	8-3/4 (222)	4-3/4 (121)

HP SHAFT MOTORS

MOTOR FRAME	A	B	C	D	G	F	E	H	125# ANSI			250# ANSI			R	V (Min)
									J	N	P	J	N	P		
143HP	10-1/2 (267)	21 (533)	5-1/2 (140)	6-1/4 (159)	6-3/8 (162)	12-3/16 (310)	11-13/16 (300)	30-3/8 (772)	7-1/2 (190)	8	3/4 (19)	7-7/8 (200)	8	7/8 (22)	7-1/16 (179)	4-3/4 (121)
145HP	10-1/2 (267)	21 (533)	5-1/2 (140)	6-1/4 (159)	6-3/8 (162)	12-3/16 (310)	12-13/16 (325)	31-3/8 (797)	7-1/2 (190)	8	3/4 (19)	7-7/8 (200)	8	7/8 (22)	7-1/16 (179)	4-3/4 (121)
182HP	10-1/2 (267)	21 (533)	5-1/2 (140)	6-1/4 (159)	6-3/8 (162)	12-3/16 (310)	13-7/8 (352)	32-1/2 (826)	7-1/2 (190)	8	3/4 (19)	7-7/8 (200)	8	7/8 (22)	8-3/4 (222)	4-3/4 (121)
184HP	10-1/2 (267)	21 (533)	5-1/2 (140)	6-1/4 (159)	6-3/8 (162)	12-3/16 (310)	14-7/8 (378)	33-1/2 (851)	7-1/2 (190)	8	3/4 (19)	7-7/8 (200)	8	7/8 (22)	8-3/4 (222)	4-3/4 (121)

IEC SHAFT MOTORS

MOTOR FRAME	A	B	C	D	G	F	E	H	125# ANSI			250# ANSI			R	V (Min)
									J	N	P	J	N	P		
80	10-1/2 (267)	21 (533)	5-1/2 (140)	6-1/4 (159)	6-3/8 (162)	12-3/16 (310)	9-15/16 (252)	28-9/16 (725)	7-1/2 (190)	8	3/4 (19)	7-7/8 (200)	8	7/8 (22)	6-7/8 (175)	4-3/4 (121)
90	10-1/2 (267)	21 (533)	5-1/2 (140)	6-1/4 (159)	6-3/8 (162)	12-3/16 (310)	11-5/8 (295)	30-3/16 (767)	7-1/2 (190)	8	3/4 (19)	7-7/8 (200)	8	7/8 (22)	7-1/2 (190)	4-3/4 (121)
100L	10-1/2 (267)	21 (533)	5-1/2 (140)	6-1/4 (159)	6-3/8 (162)	12-3/16 (310)	12-11/16 (322)	31-1/4 (794)	7-1/2 (190)	8	3/4 (19)	7-7/8 (200)	8	7/8 (22)	8-1/4 (210)	4-3/4 (121)
132	10-1/2 (267)	21 (533)	5-1/2 (140)	6-1/4 (159)	6-3/8 (162)	12-3/16 (310)	17-1/8 (435)	35-11/16 (906)	7-1/2 (190)	8	3/4 (19)	7-7/8 (200)	8	7/8 (22)	10-13/16 (275)	4-3/4 (121)
160M	10-1/2 (267)	21 (533)	5-1/2 (140)	6-1/4 (159)	6-3/8 (162)	14-13/16 (376)	20-1/4 (514)	41-7/16 (1053)	7-1/2 (190)	8	3/4 (19)	7-7/8 (200)	8	7/8 (22)	13 (330)	4-3/4 (121)

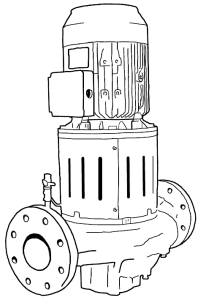
Dimensions are subject to change. Not to be used for construction purposes unless certified.

NOTE: For TEFC add 1-1/2" to dimensions E & H.

Xylem Inc.
8200 N. Austin Avenue
Morton Grove, IL 60053
Phone: (847)966-3700
Fax: (847)965-8379
www.bellgossett.com



JOB: UNIT TAG: ENGINEER: CONTRACTOR:	REPRESENTATIVE: ORDER NO. SUBMITTED BY: APPROVED BY:	DATE: DATE: DATE:
---	---	--



4x4x7

Series 80[®]-SC

Spacer Coupled Vertical
In-Line Mounted Centrifugal Pumps

SPECIFICATIONS

FLOW _____ HEAD _____

HP _____ RPM _____

VOLTS _____

CYCLE _____ PHASE _____

ENCLOSURE _____

APPROX. WEIGHT _____

SPECIALS _____

MATERIALS OF CONSTRUCTION

BRONZE FITTED ALL IRON

WORKING PRESSURE

175 psi (12 bar) W.P. with 125# ANSI flange drilling

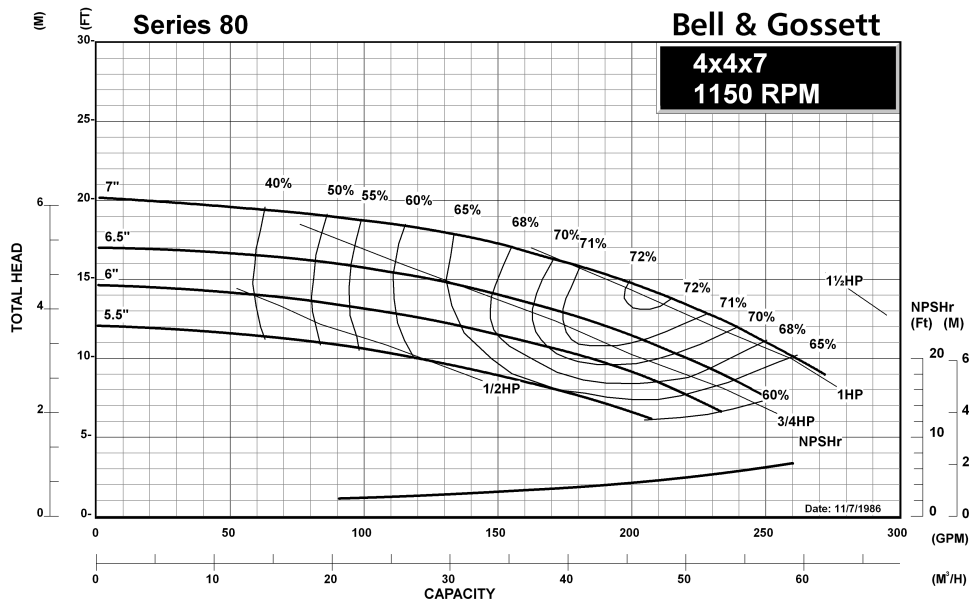
250 psi (17 bar) W.P. with 250# ANSI flange drilling

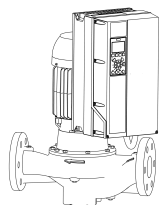
TYPE OF SEAL

STANDARD SEAL - Inside Unitized with flush line (EPR/Carbon-Ceramic)
Temp. range -20° to +250°F. (-29° to 121°C)
Maximum pressure is 175 psi (12 bar)

OPTIONAL SEAL - Inside Unitized with flush line (EPR/Carbon-Tungsten Carbide)
Temp. range -20° to +250°F. (-29° to 121°C)
Maximum pressure is 250 psi (17 bar)

OPTIONAL SEAL - Outside Type "8B2"; with flush line (EPR/Carbon-Tungsten Carbide)
Temp. range -20° to +250°F. (-29° to 121°C)
Maximum pressure is 175 psi (12 bar)

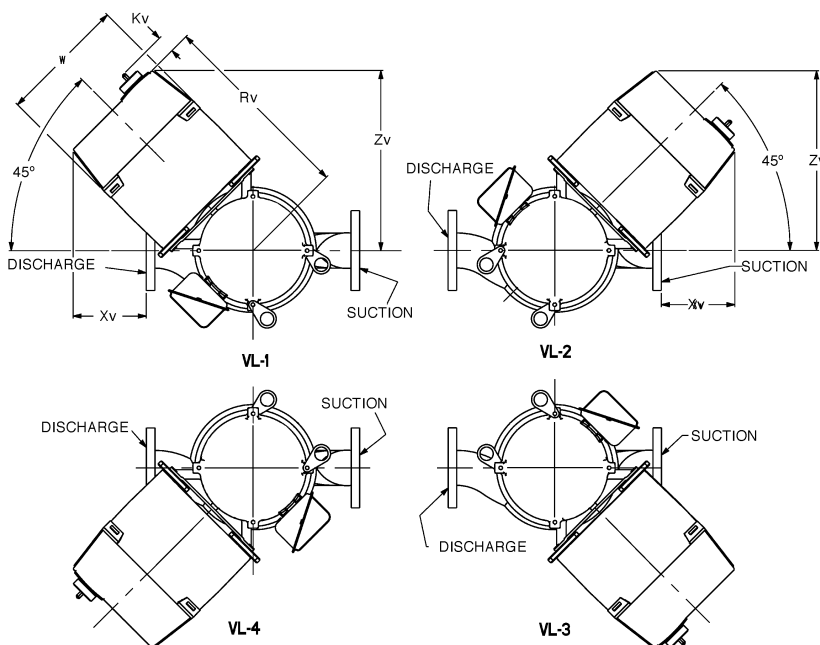
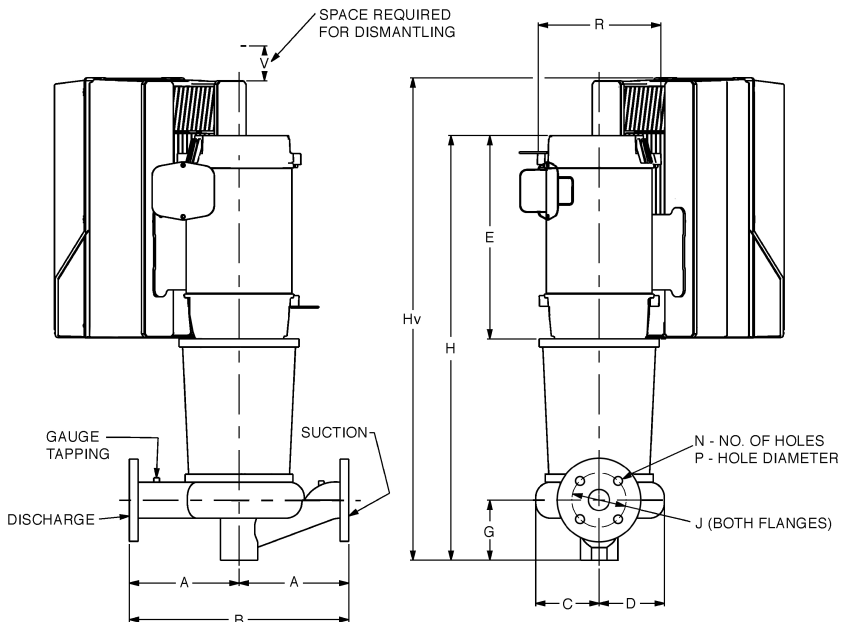




4x4x7 Series 80SC[®]

In-Line Mounted Centrifugal Pumps
With Optional Integrated Technologic[®] featuring Sensorless Control

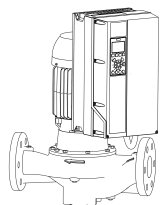
TECHNOLOGIC STANDARD FEATURES	
CONTROL METHOD	Constant Pressure, Linear Control Curve, Quadratic Control Curve Factory configured for sensorless operation standard. Field configurable for use with a wired transducer.
ENCLOSURE	IP55 / NEMA 12 / UL type 12
POWER DISCONNECT SWITCH	Included standard. Fused Disconnect Switch optional.
EMI/RFI CONTROL	Integrated filter to meet EN62800-3.
HARMONIC SUPPRESSION	Integrated non-saturating dual DC link reactors provide better harmonic performance than a 5% AC line reactor.
COOLING	Fan-cooled through temperature controlled and easy replacement.
AMBIENT TEMPERATURE RATING	14°F to 113°F (-10°C to 45°C)
COMMUNICATION PROTOCOLS	BACnet, Modbus RTU, N2 Metasys, FLN Apogee
ANALOG INPUTS	2 configurable for either voltage (0 to 10VDC) or current(0/4 to 20mA)
ANALOG OUTPUTS	1 (0/4 to 20mA) up to 500 ohm load accurate to 1% of full scale
DIGITAL INPUTS	4 (0 to 24VDC), NPN or PNP, 0 to 24VDC, on 5 msec scan interval, Up to 2 can be configured as pulse inputs.
DIGITAL OUTPUTS	2 (0 to 24VDC), 40mA max current, configurable as pulse outputs.
RELAY OUTPUTS	2 programmable, 240VAC or 400VAC up to 2 A



Xylem Inc.
8200 N. Austin Avenue
Morton Grove, IL 60053
Phone: (847)966-3700
Fax: (847)965-8379
www.bellgossett.com



Bell & Gossett is a trademark of Xylem Inc. or one of its subsidiaries.
© 2013 Xylem Inc.



4x4x7 Series 80-SC[®]

In-Line Mounted Centrifugal Pumps
With Optional Integrated Technologic[®] featuring Sensorless Control

DIMENSIONS – Inches (mm)

TC SHAFT MOTORS

MOTOR FRAME	A	B	G	E	125# ANSI			250# ANSI			R	V (Min)	VFD	Rv	Zv	W	Hv	Xv	Kv
					J	N	P	J	N	P									
182TC	10-1/2 (267)	21 (533)	6-3/8 (162)	12-1/4 (311)	7-1/2 (190)	8	3/4 (19)	7-7/8 (200)	8	7/8 (22)	8-3/4 (222)	4-3/4 (121)	A5	12-25/32 (324)	12-1/32 (306)	9-1/2 (241)	33-19/32 (853)	1-17/32 (39)	1-1/2 (38.10)
184TC	10-1/2 (267)	21 (533)	6-3/8 (162)	13-1/4 (337)	7-1/2 (190)	8	3/4 (19)	7-7/8 (200)	8	7/8 (22)	8-3/4 (222)	4-3/4 (121)	A5	12-25/32 (324)	12-1/32 (306)	9-1/2 (241)	34-19/32 (879)	1-17/32 (39)	1-1/2 (38.10)

Xylem Inc.
8200 N. Austin Avenue
Morton Grove, IL 60053
Phone: (847)966-3700
Fax: (847)965-8379
www.bellgossett.com

xylem
Let's Solve Water

Bell & Gossett is a trademark of Xylem Inc. or one of its subsidiaries.
© 2013 Xylem Inc.