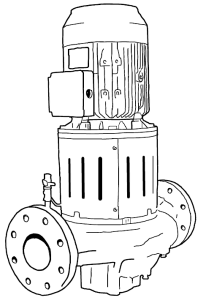


<p>JOB:</p> <p>UNIT TAG:</p> <p>ENGINEER:</p> <p>CONTRACTOR:</p>	<p>REPRESENTATIVE:</p> <p>ORDER NO.</p> <p>SUBMITTED BY:</p> <p>APPROVED BY:</p>	<p>DATE:</p> <p>DATE:</p> <p>DATE:</p>
---	---	---



3x3x11

Series 80[®]-SC

Spacer Coupled Vertical
In-Line Mounted Centrifugal Pumps

SPECIFICATIONS

FLOW _____ HEAD _____

HP _____ RPM _____

VOLTS _____

CYCLE _____ PHASE _____

ENCLOSURE _____

APPROX. WEIGHT _____

SPECIALS _____

MATERIALS OF CONSTRUCTION

BRONZE FITTED ALL IRON

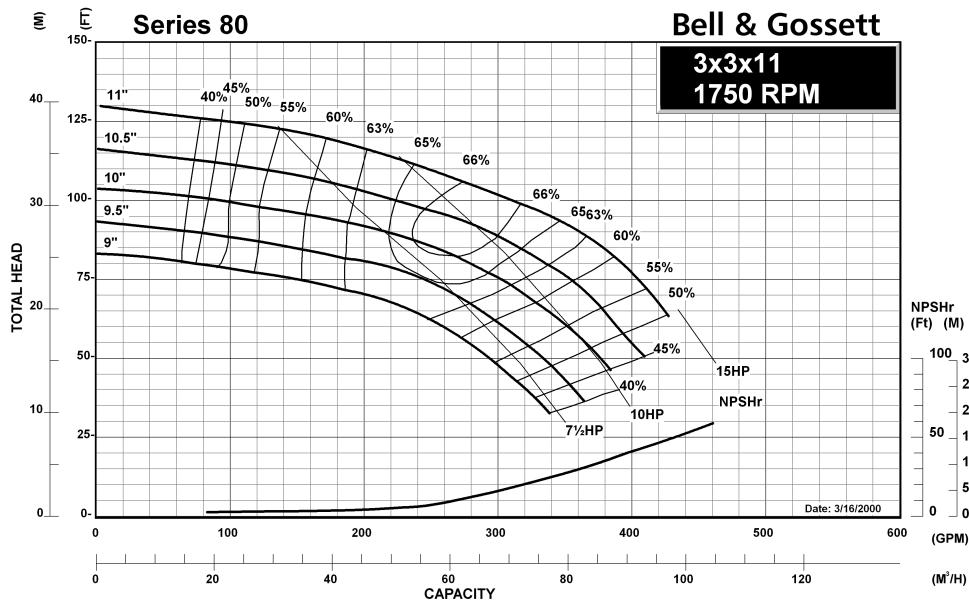
WORKING PRESSURE

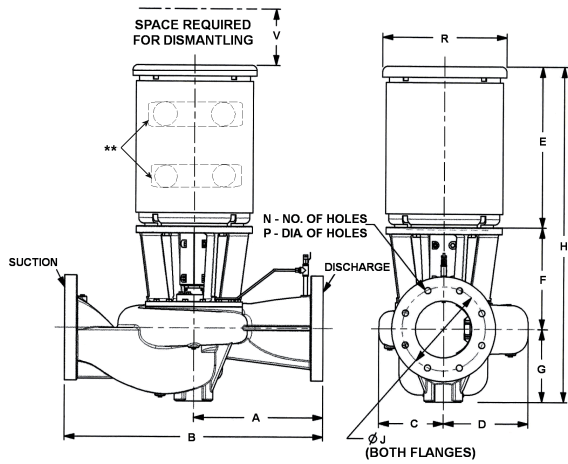
175 psi (12 bar) W.P.
with 125# ANSI flange drilling

250 psi (17 bar) W.P.
with 250# ANSI flange drilling

TYPE OF SEAL

- STANDARD SEAL - Inside Unitized with flush line (EPR/Carbon-Ceramic)
Temp. range -20° to +250°F. (-29° to 121°C)
Maximum pressure is 175 psi (12 bar)
- OPTIONAL SEAL - Inside Unitized with flush line (EPR/Carbon-Tungsten Carbide)
Temp. range -20° to +250°F. (-29° to 121°C)
Maximum pressure is 250 psi (17 bar)
- OPTIONAL SEAL - Outside Type "8B2"; with flush line (EPR/Carbon-Tungsten Carbide)
Temp. range -20° to +250°F. (-29° to 121°C)
Maximum pressure is 175 psi (12 bar)





FLANGE DIMENSIONS IN INCHES (MM)			
	SIZE	THICKNESS	O.D.
Discharge	3"	1-5/16 (33)	8 (203)
Suction	3"	1-5/16 (33)	8 (203)

VOLUTE BASE RING TAPPED FOR
3" - 125# ANSI FLANGE TO SUPPORT PUMP

DIMENSIONS - Inches (mm)

TC SHAFT MOTORS

MOTOR FRAME	A	B	C	D	G	F	E	H	125# ANSI			250# ANSI			R	V (Min)
									J	N	P	J	N	P		
213TC	12 (305)	24 (610)	6-15/16 (176)	7-5/8 (194)	6-3/4 (171)	11-1/4 (286)	14-7/8 (378)	32-7/8 (835)	6 (152)	4	3/4 (19)	6-5/8 (168)	8 (22)	7/8	10-5/8 (270)	5-1/2 (140)
215TC	12 (305)	24 (610)	6-15/16 (176)	7-5/8 (194)	6-3/4 (171)	11-1/4 (286)	14-7/8 (378)	32-7/8 (835)	6 (152)	4	3/4 (19)	6-5/8 (168)	8 (22)	7/8	10-5/8 (270)	5-1/2 (140)
254TC	12 (305)	24 (610)	6-15/16 (176)	7-5/8 (194)	6-3/4 (171)	11-1/4 (286)	19-7/16 (494)	37-1/2 (952)	6 (152)	4	3/4 (19)	6-5/8 (168)	8 (22)	7/8	12-5/16 (313)	5-1/2 (140)

HP SHAFT MOTORS

MOTOR FRAME	A	B	C	D	G	F	E	H	125# ANSI			250# ANSI			R	V (Min)
									J	N	P	J	N	P		
213HP	12 (305)	24 (610)	6-15/16 (176)	7-5/8 (194)	6-3/4 (171)	11-1/4 (286)	17-1/4 (438)	35-1/4 (895)	6 (152)	4	3/4 (19)	6-5/8 (168)	8 (22)	7/8	10-5/8 (270)	5-1/2 (140)
215HP	12 (305)	24 (610)	6-15/16 (176)	7-5/8 (194)	6-3/4 (171)	11-1/4 (286)	18-3/4 (476)	36-3/4 (933)	6 (152)	4	3/4 (19)	6-5/8 (168)	8 (22)	7/8	10-5/8 (270)	5-1/2 (140)
254HP	12 (305)	24 (610)	6-15/16 (176)	7-5/8 (194)	6-3/4 (171)	11-1/4 (286)	22-3/8 (568)	40-3/8 (1026)	6 (152)	4	3/4 (19)	6-5/8 (168)	8 (22)	7/8	12-5/16 (313)	5-1/2 (140)

IEC SHAFT MOTORS

MOTOR FRAME	A	B	C	D	G	F	E	H	125# ANSI			250# ANSI			R	V (Min)
									J	N	P	J	N	P		
112M	12 (305)	24 (610)	6-15/16 (176)	7-5/8 (194)	6-3/4 (171)	11-1/4 (286)	13-9/16 (344)	31-9/16 (802)	6 (152)	4	3/4 (19)	6-5/8 (168)	8 (22)	7/8	9-5/16 (237)	5-1/2 (140)
132	12 (305)	24 (610)	6-15/16 (176)	7-5/8 (194)	6-3/4 (171)	11-1/4 (286)	17-1/8 (435)	35-1/8 (892)	6 (152)	4	3/4 (19)	6-5/8 (168)	8 (22)	7/8	10-13/16 (275)	5-1/2 (140)

Dimensions are subject to change. Not to be used for construction purposes unless certified.

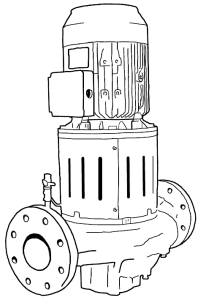
NOTE: For TEFC add 1-1/2" to dimensions E & H.

Xylem Inc.
8200 N. Austin Avenue
Morton Grove, IL 60053
Phone: (847)966-3700
Fax: (847)965-8379
www.bellgossett.com



Bell & Gossett is a trademark of Xylem Inc. or one of its subsidiaries.
© 2013 Xylem Inc.

JOB:	REPRESENTATIVE:	
UNIT TAG:	ORDER NO.	DATE:
ENGINEER:	SUBMITTED BY:	DATE:
CONTRACTOR:	APPROVED BY:	DATE:



3x3x11

Series 80[®]-SC

Spacer Coupled Vertical
In-Line Mounted Centrifugal Pumps

SPECIFICATIONS

FLOW _____ HEAD _____

HP _____ RPM _____

VOLTS _____

CYCLE _____ PHASE _____

ENCLOSURE _____

APPROX. WEIGHT _____

SPECIALS _____

MATERIALS OF CONSTRUCTION

BRONZE FITTED ALL IRON

WORKING PRESSURE

175 psi (12 bar) W.P. with 125# ANSI flange drilling

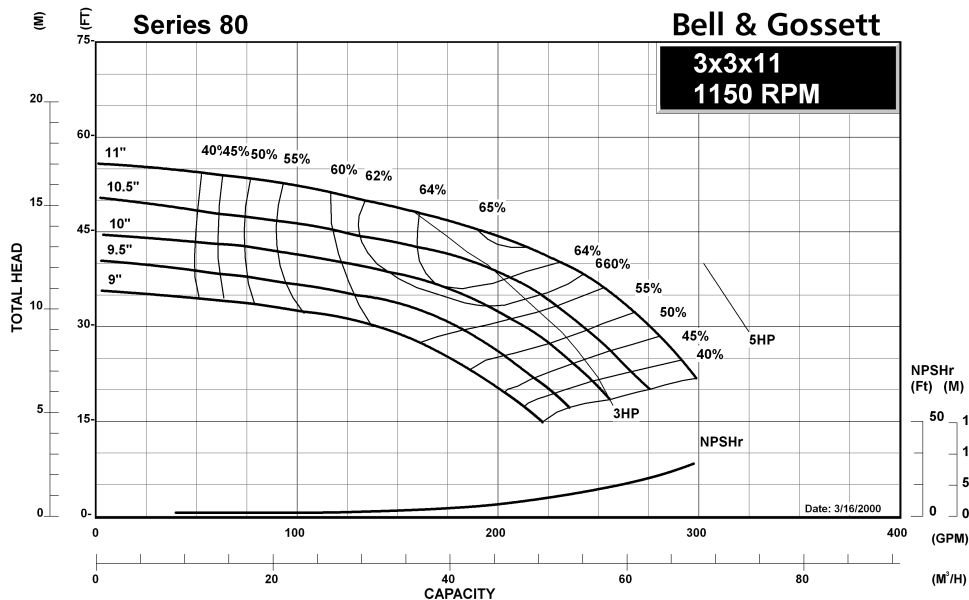
250 psi (17 bar) W.P. with 250# ANSI flange drilling

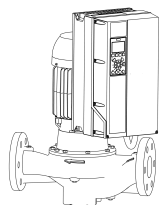
TYPE OF SEAL

STANDARD SEAL - Inside Unitized with flush line (EPR/Carbon-Ceramic)
Temp. range -20° to +250°F. (-29° to 121°C)
Maximum pressure is 175 psi (12 bar)

OPTIONAL SEAL - Inside Unitized with flush line (EPR/Carbon-Tungsten Carbide)
Temp. range -20° to +250°F. (-29° to 121°C)
Maximum pressure is 250 psi (17 bar)

OPTIONAL SEAL - Outside Type "8B2"; with flush line (EPR/Carbon-Tungsten Carbide)
Temp. range -20° to +250°F. (-29° to 121°C)
Maximum pressure is 175 psi (12 bar)

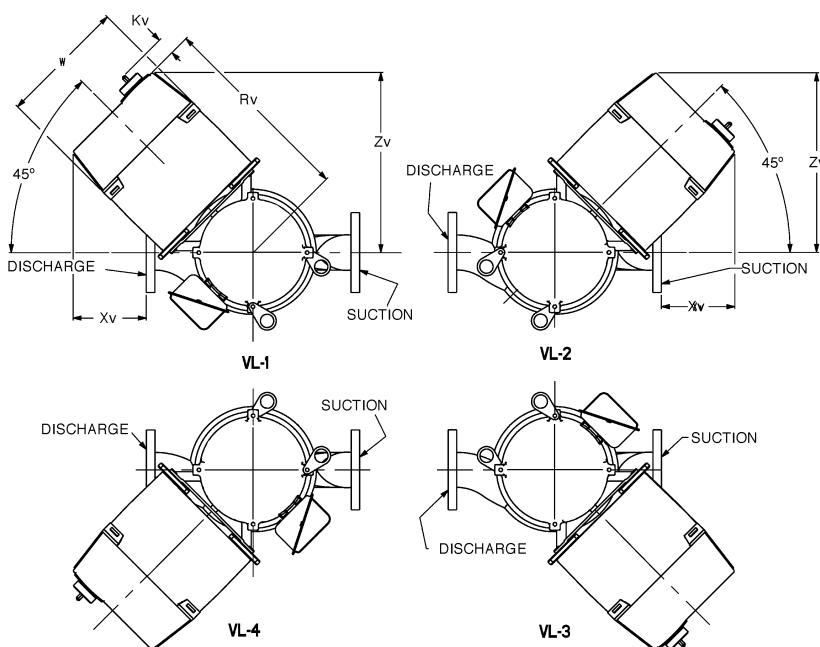
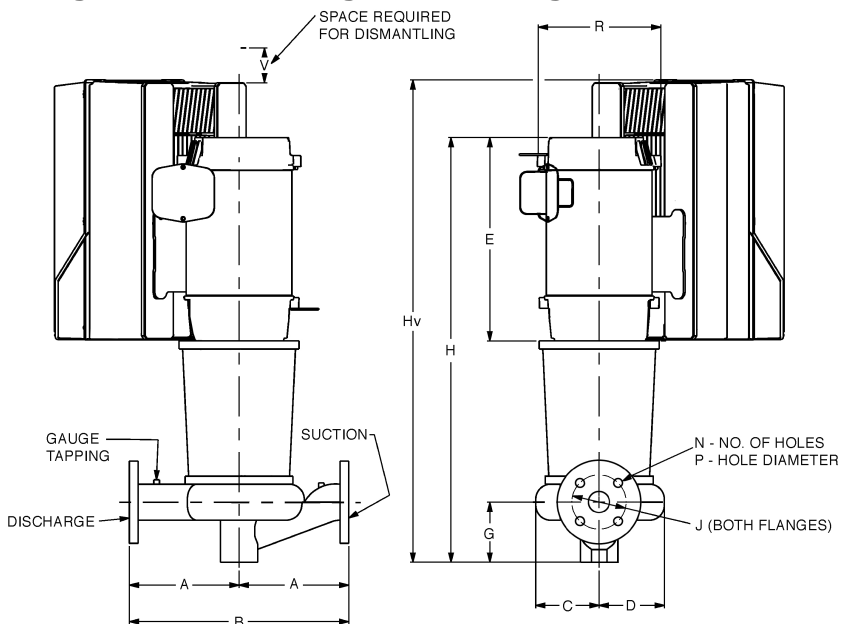




3x3x11 Series 80SC[®]

In-Line Mounted Centrifugal Pumps
With Optional Integrated Technolog[®] featuring Sensorless Control

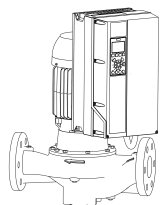
TECHNOLOGIC STANDARD FEATURES	
CONTROL METHOD	Constant Pressure, Linear Control Curve, Quadratic Control Curve Factory configured for sensorless operation standard. Field configurable for use with a wired transducer.
ENCLOSURE	IP55 / NEMA 12 / UL type 12
POWER DISCONNECT SWITCH	Included standard. Fused Disconnect Switch optional.
EMI/RFI CONTROL	Integrated filter to meet EN62800-3.
HARMONIC SUPPRESSION	Integrated non-saturating dual DC link reactors provide better harmonic performance than a 5% AC line reactor.
COOLING	Fan-cooled through temperature controlled and easy replacement.
AMBIENT TEMPERATURE RATING	14°F to 113°F (-10°C to 45°C)
COMMUNICATION PROTOCOLS	BACnet, Modbus RTU, N2 Metasys, FLN Apogee
ANALOG INPUTS	2 configurable for either voltage (0 to 10VDC) or current(0/4 to 20mA)
ANALOG OUTPUTS	1 (0/4 to 20mA) up to 500 ohm load accurate to 1% of full scale
DIGITAL INPUTS	4 (0 to 24VDC), NPN or PNP, 0 to 24VDC, on 5 msec scan interval, Up to 2 can be configured as pulse inputs.
DIGITAL OUTPUTS	2 (0 to 24VDC), 40mA max current, configurable as pulse outputs.
RELAY OUTPUTS	2 programmable, 240VAC or 400VAC up to 2 A



Xylem Inc.
8200 N. Austin Avenue
Morton Grove, IL 60053
Phone: (847)966-3700
Fax: (847)965-8379
www.bellgossett.com

xylem
Let's Solve Water

Bell & Gossett is a trademark of Xylem Inc. or one of its subsidiaries.
© 2013 Xylem Inc.



3x3x11 Series 80-SC[®]

In-Line Mounted Centrifugal Pumps
With Optional Integrated Technologic[®] featuring Sensorless Control

DIMENSIONS – Inches (mm)

TC SHAFT MOTORS

MOTOR FRAME	A	B	G	E	125# ANSI			250# ANSI			R	V (Min)	VFD	Rv	Zv	W	Hv	Xv	Kv
					J	N	P	J	N	P									
213TC	12 (305)	24 (610)	6-3/4 (171)	14-7/8 (378)	6 (152)	4	3/4 (19)	6-5/8 (168)	8	7/8 (22)	10-5/8 (270)	5-1/2 (140)	A5	13-17/32 (344)	12-9/16 (319)	9-1/2 (241)	32-7/8 (835)	9/16 (14)	1-1/2 (38.10)
													B1	15-53/64 (402)	14-7/32 (361)	9-1/2 (241)	34-5/16 (872)	2-7/32 (56)	1-13/16 (45.72)
215TC	12 (305)	24 (610)	6-3/4 (171)	14-7/8 (378)	6 (152)	4	3/4 (19)	6-5/8 (168)	8	7/8 (22)	10-5/8 (270)	5-1/2 (140)	A5	13-17/32 (344)	12-9/16 (319)	9-1/2 (241)	32-7/8 (835)	9/16 (14)	1-1/2 (38.10)
													B1	15-53/64 (402)	14-7/32 (361)	9-1/2 (241)	34-19/64 (871)	2-7/32 (56)	1-13/16 (45.72)
254TC	12 (305)	24 (610)	6-3/4 (171)	19-7/16 (494)	6 (152)	4	3/4 (19)	6-5/8 (168)	8	7/8 (22)	12-5/16 (313)	5-1/2 (140)	B1	16-53/64 (427)	14-59/64 (379)	9-1/2 (241)	39-35/64 (1005)	2-59/64 (74)	1-13/16 (45.72)

Xylem Inc.
8200 N. Austin Avenue
Morton Grove, IL 60053
Phone: (847)966-3700
Fax: (847)965-8379
www.bellgossett.com

xylem
Let's Solve Water

Bell & Gossett is a trademark of Xylem Inc. or one of its subsidiaries.
© 2013 Xylem Inc.