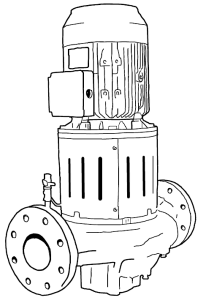


JOB: UNIT TAG: ENGINEER: CONTRACTOR:	REPRESENTATIVE: ORDER NO. SUBMITTED BY: APPROVED BY:	DATE: DATE: DATE:
---	---	--



2 1/2 x 2 1/2 x 9 1/2 B

Series 80[®]-SC

Spacer Coupled Vertical
In-Line Mounted Centrifugal Pumps

SPECIFICATIONS

FLOW _____ HEAD _____

HP _____ RPM _____

VOLTS _____

CYCLE _____ PHASE _____

ENCLOSURE _____

APPROX. WEIGHT _____

SPECIALS _____

MATERIALS OF CONSTRUCTION

BRONZE FITTED ALL IRON

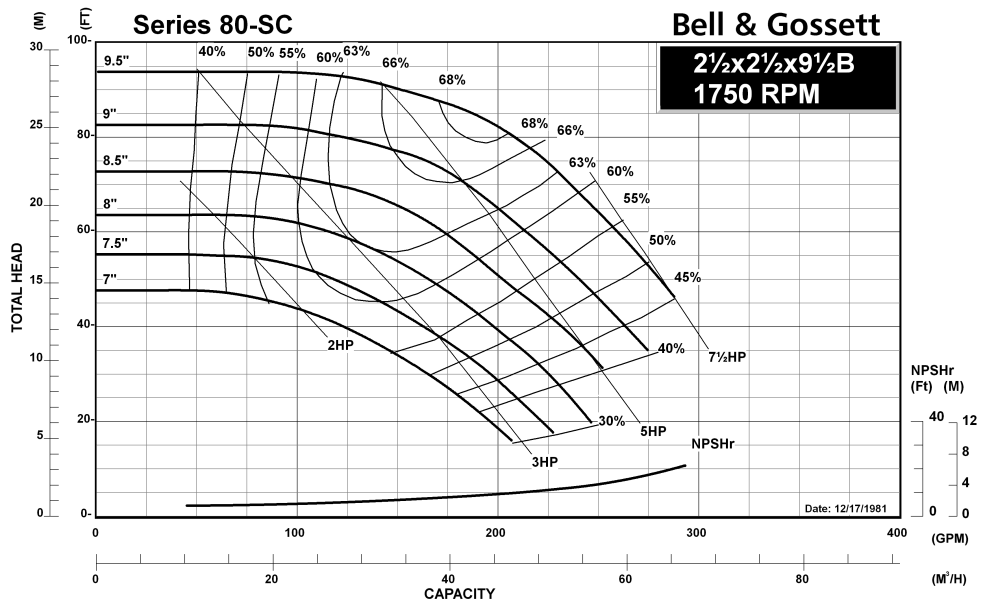
WORKING PRESSURE

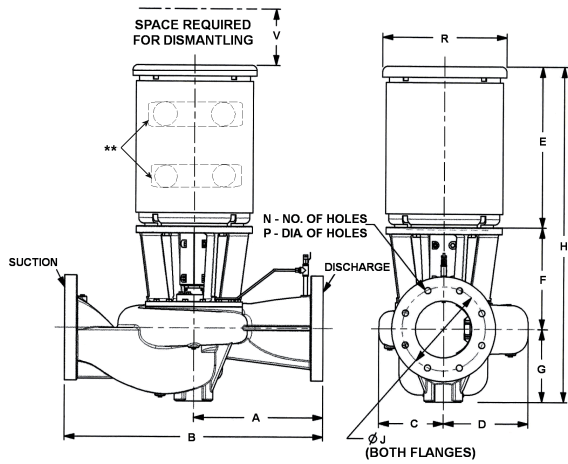
175 psi (12 bar) W.P.
with 125# ANSI flange drilling

250 psi (17 bar) W.P.
with 250# ANSI flange drilling

TYPE OF SEAL

- STANDARD SEAL - Inside Unitized with flush line (EPR/Carbon-Ceramic)
Temp. range -20° to +250°F. (-29° to 121°C)
Maximum pressure is 175 psi (12 bar)
- OPTIONAL SEAL - Inside Unitized with flush line (EPR/Carbon-Tungsten Carbide)
Temp. range -20° to +250°F. (-29° to 121°C)
Maximum pressure is 250 psi (17 bar)
- OPTIONAL SEAL - Outside Type "8B2"; with flush line (EPR/Carbon-Tungsten Carbide)
Temp. range -20° to +250°F. (-29° to 121°C)
Maximum pressure is 175 psi (12 bar)





FLANGE DIMENSIONS IN INCHES (MM)			
	SIZE	THICKNESS	O.D.
Discharge	2-1/2"	1 (25)	7-3/8 (187)
Suction	2-1/2"	1 (25)	7-3/8 (187)

**VOLUTE BASE RING TAPPED FOR
2" - 125# ANSI FLANGE TO SUPPORT PUMP**

** Motor may be supplied with feet

DIMENSIONS - Inches (mm)

TC SHAFT MOTORS

MOTOR FRAME	A	B	C	D	G	F	E	H	125# ANSI			250# ANSI			R	V (Min)
									J	N	P	J	N	P		
182TC	10-3/4 (273)	21-1/2 (546)	6-3/4 (171)	7-1/8 (181)	6 (152)	11-7/8 (302)	12-1/4 (311)	30-1/8 (765)	5-1/2 (140)	4	3/4 (19)	5-7/8 (149)	8 (22)	7/8 (22)	8-3/4 (222)	4-3/4 (121)
184TC	10-3/4 (273)	21-1/2 (546)	6-3/4 (171)	7-1/8 (181)	6 (152)	11-7/8 (302)	13-1/4 (337)	31-1/8 (791)	5-1/2 (140)	4	3/4 (19)	5-7/8 (149)	8 (22)	7/8 (22)	8-3/4 (222)	4-3/4 (121)
213TC	10-3/4 (273)	21-1/2 (546)	6-3/4 (171)	7-1/8 (181)	6 (152)	11-7/8 (302)	14-7/8 (378)	32-13/16 (833)	5-1/2 (140)	4	3/4 (19)	5-7/8 (149)	8 (22)	7/8 (22)	10-5/8 (270)	4-3/4 (121)
215TC	10-3/4 (273)	21-1/2 (546)	6-3/4 (171)	7-1/8 (181)	6 (152)	11-7/8 (302)	14-7/8 (378)	32-13/16 (833)	5-1/2 (140)	4	3/4 (19)	5-7/8 (149)	8 (22)	7/8 (22)	10-5/8 (270)	4-3/4 (121)

HP SHAFT MOTORS

MOTOR FRAME	A	B	C	D	G	F	E	H	125# ANSI			250# ANSI			R	V (Min)
									J	N	P	J	N	P		
143HP	10-3/4 (273)	21-1/2 (546)	6-3/4 (171)	7-1/8 (181)	6 (152)	11-7/8 (302)	11-13/16 (300)	29-11/16 (754)	5-1/2 (140)	4	3/4 (19)	5-7/8 (149)	8 (22)	7/8 (22)	7-1/16 (179)	4-3/4 (121)
145HP	10-3/4 (273)	21-1/2 (546)	6-3/4 (171)	7-1/8 (181)	6 (152)	11-7/8 (302)	12-13/16 (325)	30-11/16 (779)	5-1/2 (140)	4	3/4 (19)	5-7/8 (149)	8 (22)	7/8 (22)	7-1/16 (179)	4-3/4 (121)
182HP	10-3/4 (273)	21-1/2 (546)	6-3/4 (171)	7-1/8 (181)	6 (152)	11-7/8 (302)	13-7/8 (352)	31-13/16 (808)	5-1/2 (140)	4	3/4 (19)	5-7/8 (149)	8 (22)	7/8 (22)	8-3/4 (222)	4-3/4 (121)
184HP	10-3/4 (273)	21-1/2 (546)	6-3/4 (171)	7-1/8 (181)	6 (152)	11-7/8 (302)	14-7/8 (378)	32-13/16 (833)	5-1/2 (140)	4	3/4 (19)	5-7/8 (149)	8 (22)	7/8 (22)	8-3/4 (222)	4-3/4 (121)
213HP	10-3/4 (273)	21-1/2 (546)	6-3/4 (171)	7-1/8 (181)	6 (152)	11-7/8 (302)	17-1/4 (438)	35-3/16 (894)	5-1/2 (140)	4	3/4 (19)	5-7/8 (149)	8 (22)	7/8 (22)	10-5/8 (270)	4-3/4 (121)
215HP	10-3/4 (273)	21-1/2 (546)	6-3/4 (171)	7-1/8 (181)	6 (152)	11-7/8 (302)	18-3/4 (476)	36-11/16 (932)	5-1/2 (140)	4	3/4 (19)	5-7/8 (149)	8 (22)	7/8 (22)	10-5/8 (270)	4-3/4 (121)

IEC SHAFT MOTORS

MOTOR FRAME	A	B	C	D	G	F	E	H	125# ANSI			250# ANSI			R	V (Min)
									J	N	P	J	N	P		
80	10-3/4 (273)	21-1/2 (546)	6-3/4 (171)	7-1/8 (181)	6 (152)	11-7/8 (302)	9-15/16 (252)	27-7/8 (708)	5-1/2 (140)	4	3/4 (19)	5-7/8 (149)	8 (22)	7/8 (22)	6-7/8 (175)	4-3/4 (121)
90	10-3/4 (273)	21-1/2 (546)	6-3/4 (171)	7-1/8 (181)	6 (152)	11-7/8 (302)	11-5/8 (295)	29-1/2 (749)	5-1/2 (140)	4	3/4 (19)	5-7/8 (149)	8 (22)	7/8 (22)	7-1/2 (190)	4-3/4 (121)
100L	10-3/4 (273)	21-1/2 (546)	6-3/4 (171)	7-1/8 (181)	6 (152)	11-7/8 (302)	12-11/16 (322)	30-9/16 (776)	5-1/2 (140)	4	3/4 (19)	5-7/8 (149)	8 (22)	7/8 (22)	8-1/4 (210)	4-3/4 (121)
112M	10-3/4 (273)	21-1/2 (546)	6-3/4 (171)	7-1/8 (181)	6 (152)	11-7/8 (302)	13-9/16 (344)	31-1/2 (800)	5-1/2 (140)	4	3/4 (19)	5-7/8 (149)	8 (22)	7/8 (22)	9-5/16 (237)	4-3/4 (121)

Dimensions are subject to change. Not to be used for construction purposes unless certified.

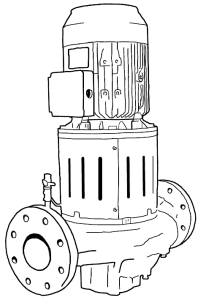
NOTE: For TEFC add 1-1/2" to dimensions E & H.

Xylem Inc.
8200 N. Austin Avenue
Morton Grove, IL 60053
Phone: (847)966-3700
Fax: (847)965-8379
www.bellgossett.com



Bell & Gossett is a trademark of Xylem Inc. or one of its subsidiaries.
© 2013 Xylem Inc.

<p>JOB:</p> <p>UNIT TAG:</p> <p>ENGINEER:</p> <p>CONTRACTOR:</p>	<p>REPRESENTATIVE:</p> <p>ORDER NO.</p> <p>SUBMITTED BY:</p> <p>APPROVED BY:</p>	<p>DATE:</p> <p>DATE:</p> <p>DATE:</p>
---	---	---



2 1/2 x 2 1/2 x 9 1/2 B

Series 80[®]-SC

Spacer Coupled Vertical
In-Line Mounted Centrifugal Pumps

SPECIFICATIONS

FLOW _____ HEAD _____

HP _____ RPM _____

VOLTS _____

CYCLE _____ PHASE _____

ENCLOSURE _____

APPROX. WEIGHT _____

SPECIALS _____

MATERIALS OF CONSTRUCTION

BRONZE FITTED ALL IRON

WORKING PRESSURE

175 psi (12 bar) W.P. with 125# ANSI flange drilling

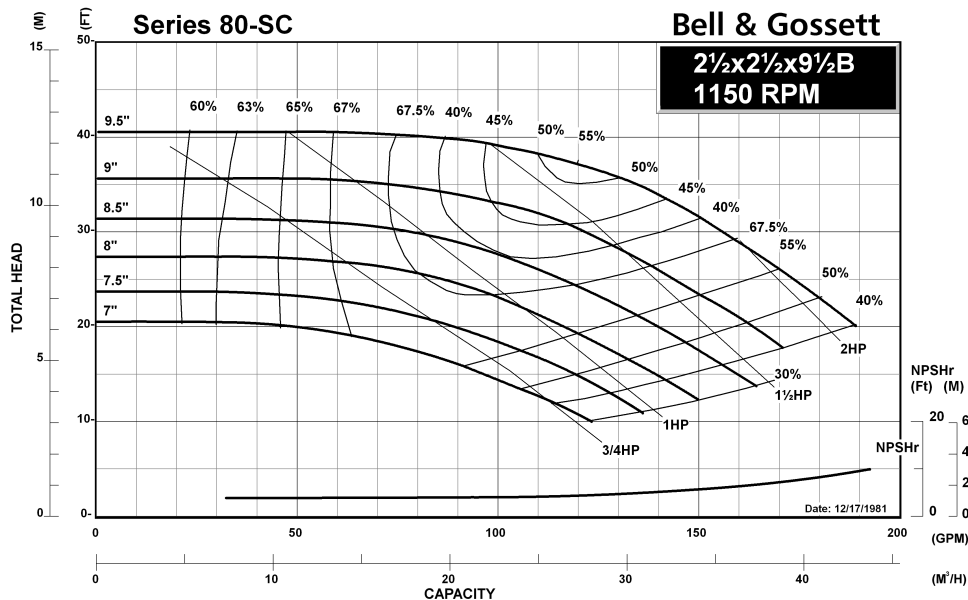
250 psi (17 bar) W.P. with 250# ANSI flange drilling

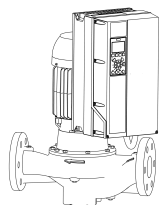
TYPE OF SEAL

STANDARD SEAL - Inside Unitized with flush line (EPR/Carbon-Ceramic)
Temp. range -20° to +250°F. (-29° to 121°C)
Maximum pressure is 175 psi (12 bar)

OPTIONAL SEAL - Inside Unitized with flush line (EPR/Carbon-Tungsten Carbide)
Temp. range -20° to +250°F. (-29° to 121°C)
Maximum pressure is 250 psi (17 bar)

OPTIONAL SEAL - Outside Type "8B2"; with flush line (EPR/Carbon-Tungsten Carbide)
Temp. range -20° to +250°F. (-29° to 121°C)
Maximum pressure is 175 psi (12 bar)

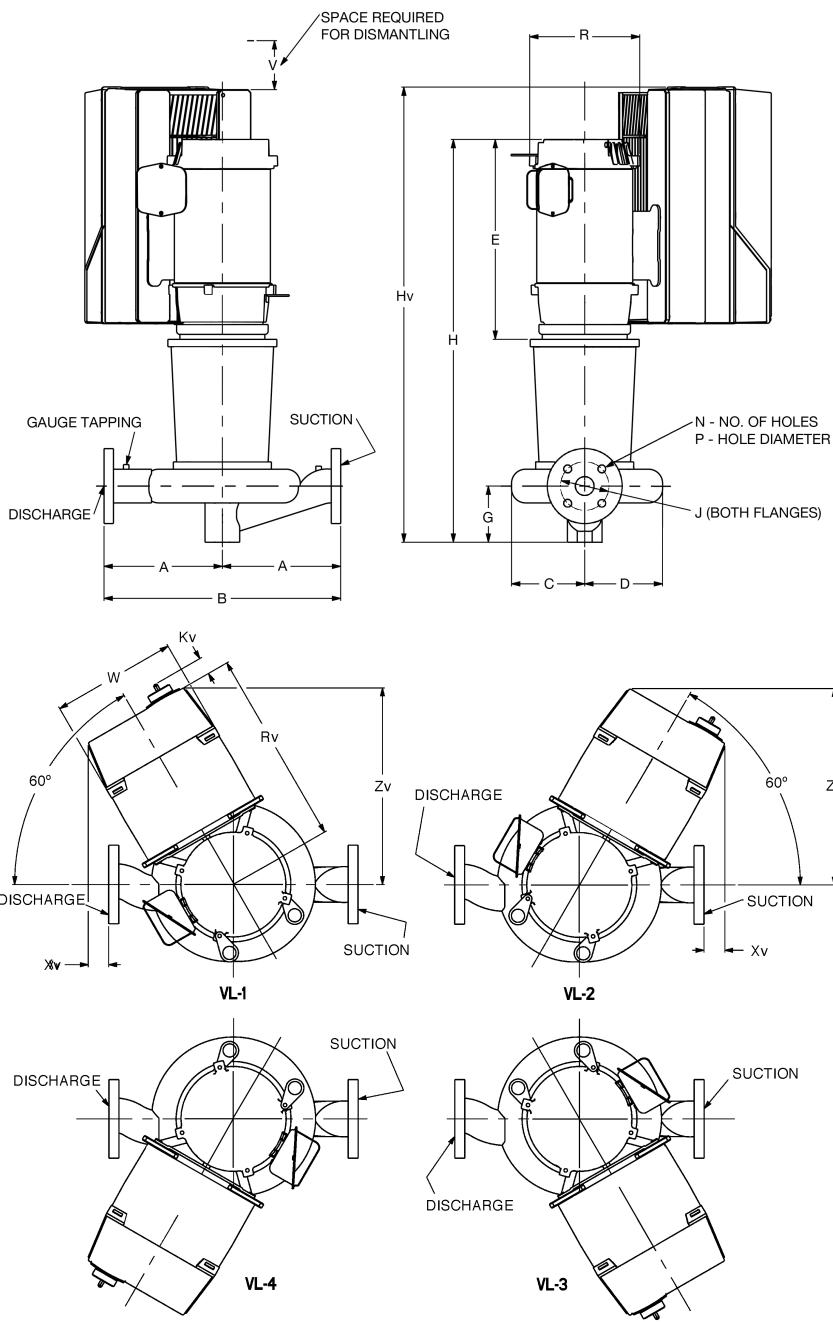




2 1/2 x 2 1/2 x 9 1/2 B Series 80SC®

In-Line Mounted Centrifugal Pumps
With Optional Integrated Technologic® featuring Sensorless Control

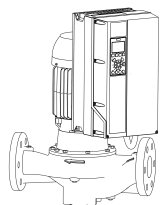
TECHNOLOGIC STANDARD FEATURES	
CONTROL METHOD	Constant Pressure, Linear Control Curve, Quadratic Control Curve Factory configured for sensorless operation standard. Field configurable for use with a wired transducer.
ENCLOSURE	IP55 / NEMA 12 / UL type 12
POWER DISCONNECT SWITCH	Included standard. Fused Disconnect Switch optional.
EMI/RFI CONTROL	Integrated filter to meet EN62800-3.
HARMONIC SUPPRESSION	Integrated non-saturating dual DC link reactors provide better harmonic performance than a 5% AC line reactor.
COOLING	Fan-cooled through temperature controlled and easy replacement.
AMBIENT TEMPERATURE RATING	14°F to 113°F (-10°C to 45°C)
COMMUNICATION PROTOCOLS	BACnet, Modbus RTU, N2 Metasys, FLN Apogee
ANALOG INPUTS	2 configurable for either voltage (0 to 10VDC) or current (0/4 to 20mA)
ANALOG OUTPUTS	1 (0/4 to 20mA) up to 500 ohm load accurate to 1% of full scale
DIGITAL INPUTS	4 (0 to 24VDC), NPN or PNP, 0 to 24VDC, on 5 msec scan interval, Up to 2 can be configured as pulse inputs.
DIGITAL OUTPUTS	2 (0 to 24VDC), 40mA max current, configurable as pulse outputs.
RELAY OUTPUTS	2 programmable, 240VAC or 400VAC up to 2 A



Xylem Inc.
8200 N. Austin Avenue
Morton Grove, IL 60053
Phone: (847)966-3700
Fax: (847)965-8379
www.bellgossett.com



Bell & Gossett is a trademark of Xylem Inc. or one of its subsidiaries.
© 2013 Xylem Inc.



2½x2½x9½B Series 80-SC®

In-Line Mounted Centrifugal Pumps
With Optional Integrated Technologic® featuring Sensorless Control

DIMENSIONS – Inches (mm)

TC SHAFT MOTORS

MOTOR FRAME	A	B	G	E	125# ANSI			250# ANSI			R	V (Min)	VFD	Rv	Zv	W	Hv	Xv	Kv
					J	N	P	J	N	P									
182TC	10-3/4 (273)	21-1/2 (546)	6 (152)	12-1/4 (311)	5-1/2 (140)	4	3/4 (19)	5-7/8 (149)	8	7/8 (22)	8-3/4 (222)	4-3/4 (121)	A5	12-25/32 (324)	13-3/16 (335)	9-1/2 (241)	32-29/32 (836)	11/16 (18)	1-1/2 (38.10)
184TC	10-3/4 (273)	21-1/2 (546)	6 (152)	13-1/4 (337)	5-1/2 (140)	4	3/4 (19)	5-7/8 (149)	8	7/8 (22)	8-3/4 (222)	4-3/4 (121)	A5	12-25/32 (324)	13-3/16 (335)	9-1/2 (241)	33-29/32 (861)	11/16 (18)	1-1/2 (38.10)
213TC	10-3/4 (273)	21-1/2 (546)	6 (152)	14-7/8 (378)	5-1/2 (140)	4	3/4 (19)	5-7/8 (149)	8	7/8 (22)	10-5/8 (270)	4-3/4 (121)	A5	13-17/32 (344)	13-53/64 (351)	9-1/2 (241)	32-13/16 (833)	5/16 (8)	1-1/2 (38.10)
													B1	15-53/64 (402)	15-27/32 (402)	9-1/2 (241)	34-1/4 (870)	7/8 (22)	1-13/16 (45.72)
215TC	10-3/4 (273)	21-1/2 (546)	6 (152)	14-7/8 (378)	5-1/2 (140)	4	3/4 (19)	5-7/8 (149)	8	7/8 (22)	10-5/8 (270)	4-3/4 (121)	A5	13-17/32 (344)	13-53/64 (351)	9-1/2 (241)	32-13/16 (833)	5/16 (8)	1-1/2 (38.10)
													B1	15-53/64 (402)	15-27/32 (402)	9-1/2 (241)	34-15/64 (869)	7/8 (22)	1-13/16 (45.72)

Xylem Inc.
8200 N. Austin Avenue
Morton Grove, IL 60053
Phone: (847)966-3700
Fax: (847)965-8379
www.bellgossett.com

xylem
Let's Solve Water

Bell & Gossett is a trademark of Xylem Inc. or one of its subsidiaries.
© 2013 Xylem Inc.