



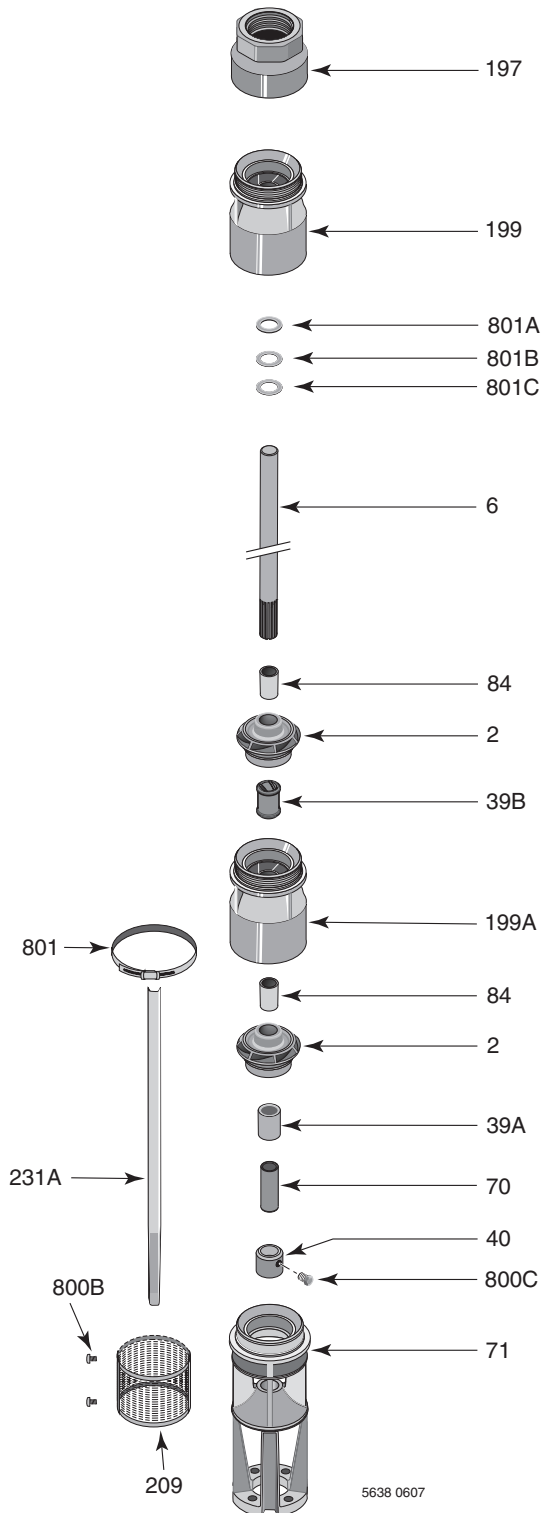
Submersible Turbine Repair Parts

Section	ST
Page	110.1
Date	June 13, 2007
Supersedes 12/1/04	

7T-250

6" Motor

7T-250 Common Parts Groups Repair Parts List



Item No.	Part Description	Part Number
39A	Inlet Bronze Bearing	816120048
39B	Rubber Bearing	S13636
40	Sand Collar, 1" ID x 1-1/2" OD x 1-1/4" lg.	S03785
66	Jam Nut, 3/4-16 SS	800302516
70	Splined Coupling	387630500
71	Inlet Bracket for 6" Motor	H05338
84	Collet, Impeller	S05301
197	Discharge Connector, 4" FNPT	L08023
199	Top Bowl and Bearing Assembly (Item No. 39B)	B82482
209	Suction Screen	L07631
800	Pan Head Tapping Screw #8-15 (2 Req.)	S29885
800A	Thrust Screw	307900300
800C	Set Screw, 3/8-16 x 3/8" lg.	S24287
801	Cable Guard Clamp (2 Req.)	M08595
801A	Upthrust Spacer, 1/8" Brass	M11544
801B	Upthrust Spacer, 1/16" 416SS (as required)	M11190
801C	Upthrust Spacer Shim, 1/8" 416SS (as req.)	M11149
	• Bolt Kit, 6" Motor	B69659
	• Pop Rivet, 5/32" x 3/8" lg. (2 Req.)	M10172
	• Nameplate	M12165
	• Owner's Manual	BE215

• Not illustrated.

Additional Staging (Quantity: 1 each per stage)

Item Number	Part Number	Part Description
39	S13636	Rubber Bearing (included in bowl)
84	S05301	Impeller Collet
199	B82482	Intermediate Bowl**

** Includes S13636 Bearing.

Cable Guard Length*

Stages	Length (In.)
1	16.12
2	22.62
3	29.12
4	35.62
5	42.12
6	48.62
8	61.62
11	81.12
13	

* Sold in 12' lengths only, Part Number 308666000.

Consult owner's manual for correct assembly and adjustment procedures.



Submersible Turbine Repair Parts

Section	ST
Page	110.2
Date	October 25, 2007
Supercedes 4/15/06	

7T-250
6" Motor

Available Impellers*

Description	Part Number	Size (In.)
"A" Full Trim	M13831	5.31 x 4.96
"B" 5% Trim	M14676	5.06 x 4.72
"C" 10% Trim	M14086	4.64 x 4.29
"D" 15% Trim	M14677	4.73 x 4.39

* 23° trim angle.

7T-250 Impeller Specifications

Catalog Number	Horsepower	416 SS Shaft§	Primary Trims	Part Number†	Trim (In.)	Secondary Trim	Part Number	Trim (In.)
B75069	5	M11742	1	M14676	5.06 x 4.72			
B75070	7.5	M11743	2	M14677	4.73 x 4.39			
B75071	10	M11743	2	M14676	5.06 x 4.72			
B75072	15	M11744	3	M14676	5.06 x 4.72			
B75073	20	M11745	4	M14676	5.06 x 4.72			
B75074	25	M11746	5	M14676	5.06 x 4.72			
B75075	30	M11747	6	M14676	5.06 x 4.72			
B75076	40	S39988	8	M14676	5.06 x 4.72			
B75077	50	L07331	11	M14676	5.06 x 4.72			
B76078	60	M11165	13	M14676	5.06 x 4.72			

† Key #2 – Impeller.

§ Key #6 – Pump Shaft.



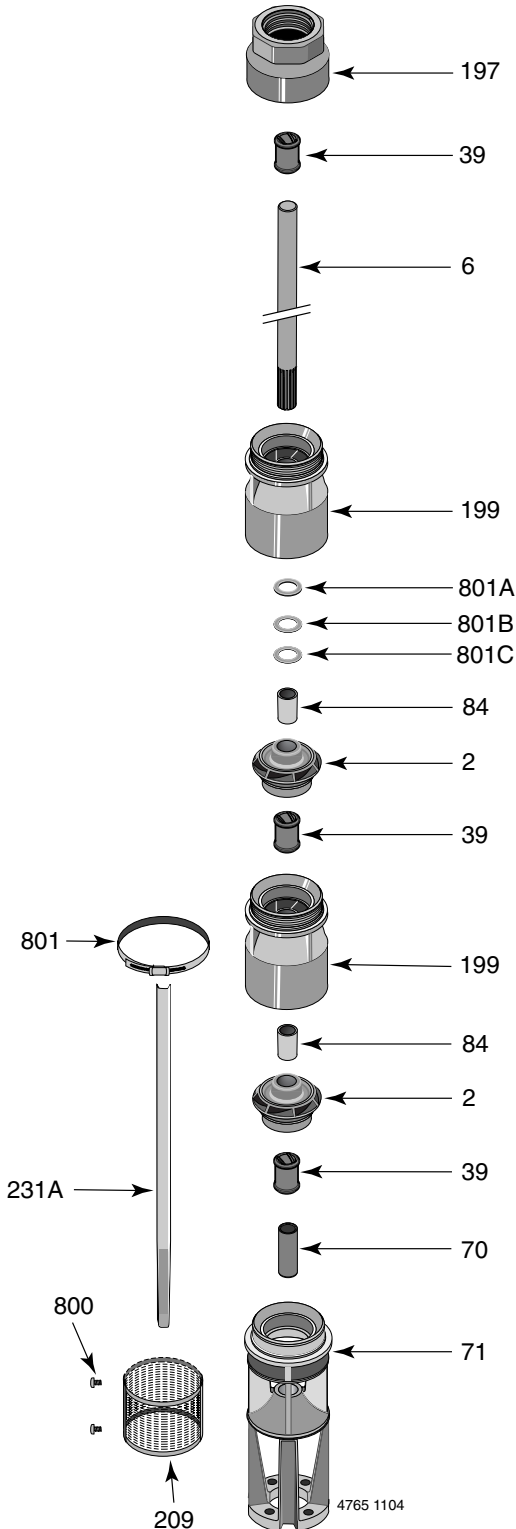
Submersible Turbine Repair Parts

Section	ST
Page	110.3
Date	June 1, 2006
Supersedes NEW	

7T-250

6" Motor

7T-250 Common Parts Groups Repair Parts List



Item No.	Part Description	Part Number
39	Rubber Bearing	S39708
70	Splined Coupling	387630500
71	Inlet Bracket for 6" Motor	H05843
84	Collet, Impeller	S05301
197	Discharge Connector, 4" FPT	L08023
199	Top Bowl and Bearing Assembly (Item No. 39B)	B82482
209	Suction Screen	L07631
800	Pan Head Tapping Screw #8-15 (2 Req.)	S29885
800C	Set Screw, 3/8-16 x 3/8" lg.	S24287
801	Cable Guard Clamp (2 Req.)	M08595
801A	Upthrust Spacer, 1/8" Brass	M11544
801B	Upthrust Spacer, 1/16" Brass (as required)	M11190
801C	Upthrust Spacing Shim, 1/8" 416SS (as req.)	M11149
	• Bolt Kit, 6" Motor	B69659
	• Pop Rivet, 5/32" x 3/8" lg. (2 Req.)	M10172
	• Nameplate	M12165
	• Owner's Manual	BE215

• Not illustrated.

Additional Staging (Quantity: 1 each per stage)

Item Number	Part Number	Part Description
39	S13636	Rubber Bearing (included in bowl)
84	S05301	Impeller Collet
199	B82482	Intermediate Bowl**

** Includes S13636 Bearing.

Cable Guard Length*

Stages	Length (In.)
1	18.7
2	24.1
3	29.6
4	34.7
5	40.0
6	45.3
8	56.0
11	71.9
13	82.5

* Sold in 12' lengths only, Part Number 308666000.

Consult owner's manual for correct assembly and adjustment procedures.



Submersible Turbine Repair Parts

Section	ST
Page	110.4
Date	June 1, 2006
Supercedes NEW	

7T-250
6" Motor

Available Impellers*

Description	Part Number	Size (In.)
"A" Full Trim	M13831	5.31 x 4.96
"B" 5% Trim	M14676	5.06 x 4.72
"C" 10% Trim	M14086	4.64 x 4.29

* 23° trim angle.

7T-250 Impeller Specifications

Catalog Number	Horsepower	416 SS Shaft§	Primary Trims	Part Number†	Trim (In.)	Secondary Trim	Part Number	Trim (In.)
B85422	5	M11742	1	M14676	5.06 x 4.72			
B85423	7.5	M11743	2	M14677	4.73 x 4.39			
B85424	10	M11743	2	M14676	5.06 x 4.72			
B85425	15	M11744	3	M14676	5.06 x 4.72			
B85426	20	M11745	4	M14676	5.06 x 4.72			
B85427	25	M11746	5	M14676	5.06 x 4.72			
B85428	30	M11747	6	M14676	5.06 x 4.72			
B85429	40	M11749	8	M14676	5.06 x 4.72			
B85430	50	M11752	11	M14676	5.06 x 4.72			
B85431	60	M11754	13	M14676	5.06 x 4.72			

† Key #2 – Impeller.

§ Key #6 – Pump Shaft.