



Submersible Turbine Repair Parts

Section	ST
Page	100.1
Date	June 13, 2007
Supersedes 12/1/04	

7T-175

6" Motor

7T-175 Common Parts Groups Repair Parts List

Item No.	Part Description	Part Number
39A	Bronze Bearing	816120048
39B	Rubber Bearing	S13636
40	Sand Collar, 1" ID x 1-1/2" OD x 1-1/4" lg.	S03785
70	Splined Coupling	387630500
71	Inlet Bracket for 6" Motor	H05338
84	Collet, Impeller	S05301
197	Discharge Connector, 4" FNPT	L08023
199	Top Bowl and Bearing Assembly (Item No. 39B)	B82482
209	Suction Screen	L07631
800B	Pan Head Tapping Screw #8-15 (2 Req.)	S29885
800C	Set Screw, 3/8-16 x 3/8" lg.	S24287
801	Cable Guard Clamp (2 Req.)	M08595
801A	Upthrust Spacer, 1/8" Brass	M11544
801B	Upthrust Spacer, 1/16" 416SS (as required)	M11190
801C	Upthrust Spacer Shim, 1/8" 416SS (as req.)	M11149
	• Bolt Kit, 6" Motor	B69659
	• Pop Rivet, 5/32" x 3/8" lg. (2 Req.)	M10172
	• Nameplate	M12165
	• Owner's Manual	BE215

• Not illustrated.

Additional Staging (Quantity: 1 each per stage)

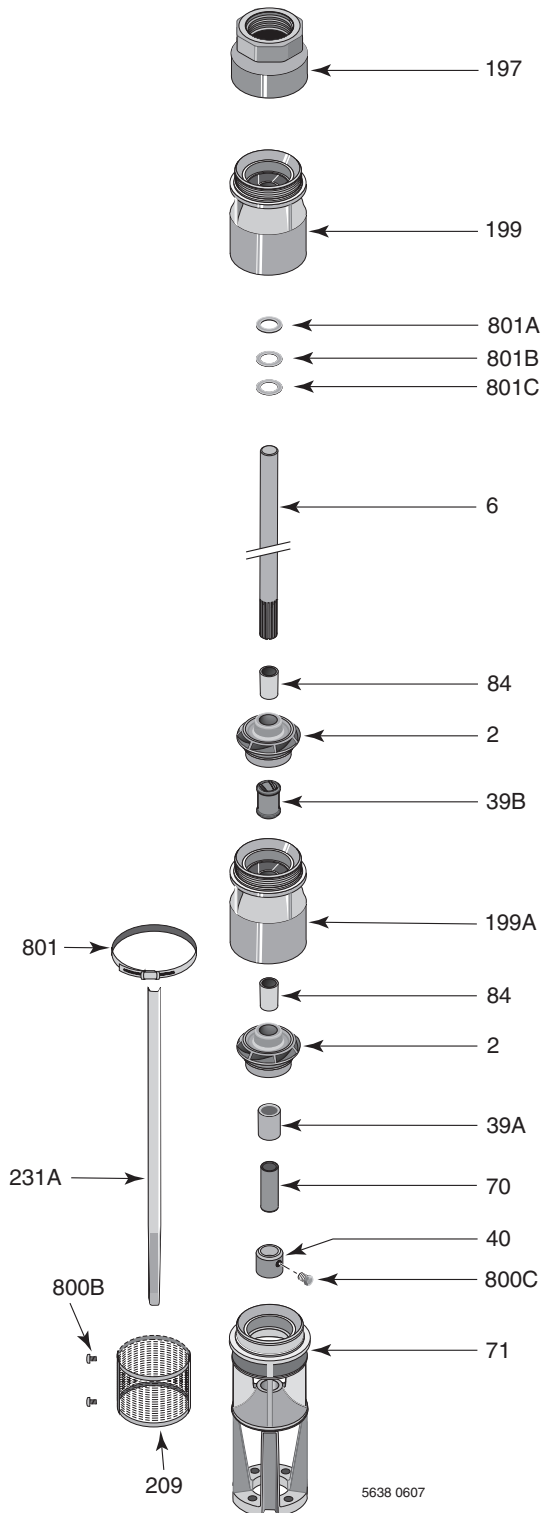
Item Number	Part Number	Part Description
39B	S13636	Rubber Bearing (included in bowl)
84	S05301	Impeller Collet
199	B82482	Intermediate Bowl**

** Includes S13636 Bearing.

Cable Guard Length*

Stages	Length (In.)
2	22.62
3	29.12
4	35.62
6	48.62
7	55.12
9	68.12
11	81.12
14	100.62
17	120.12

* Sold in 12' lengths only, Part Number 308666000.



Consult owner's manual for correct assembly and adjustment procedures.



Submersible Turbine Repair Parts

Section	ST
Page	100.2
Date	April 15, 2006
December 1, 2004	

7T-175 6" Motor

Available Impellers*

Description	Part Number	Size (In.)
"A" Full Trim	M13830	5.29 x 5.03
"B" 5% Trim	M13940	5.02 x 4.78
"C" 10% Trim	M14674	4.76 x 4.44
"D" 15% Trim	M14675	4.58 x 4.26

* 23° trim angle.

7T-175 Impeller Specifications

Catalog Number	Horsepower	416 SS Shaft§	Primary Trims	Part Number†	Trim (In.)	Secondary Trim	Part Number	Trim (In.)
B76140	5	M11743	2	M14675	4.58 x 4.26			
B76141	7.5	M11744	3	M14675	4.58 x 4.26			
B76142	10	M11745	4	M14675	4.58 x 4.26			
B76143	15	M11747	6	M14675	4.58 x 4.26			
B76144	20	M09176	7	M14674	4.76 x 4.44			
B76145	25	M11750	9	M14674	4.76 x 4.44			
B76146	30	L07331	11	M14674	4.76 x 4.44			
B76147	40	L07334	14	M14674	4.76 x 4.44			
B76148	50	M11167	17	M14674	4.76 x 4.44			

† Key #2 – Impeller.

§ Key #6 – Pump Shaft.



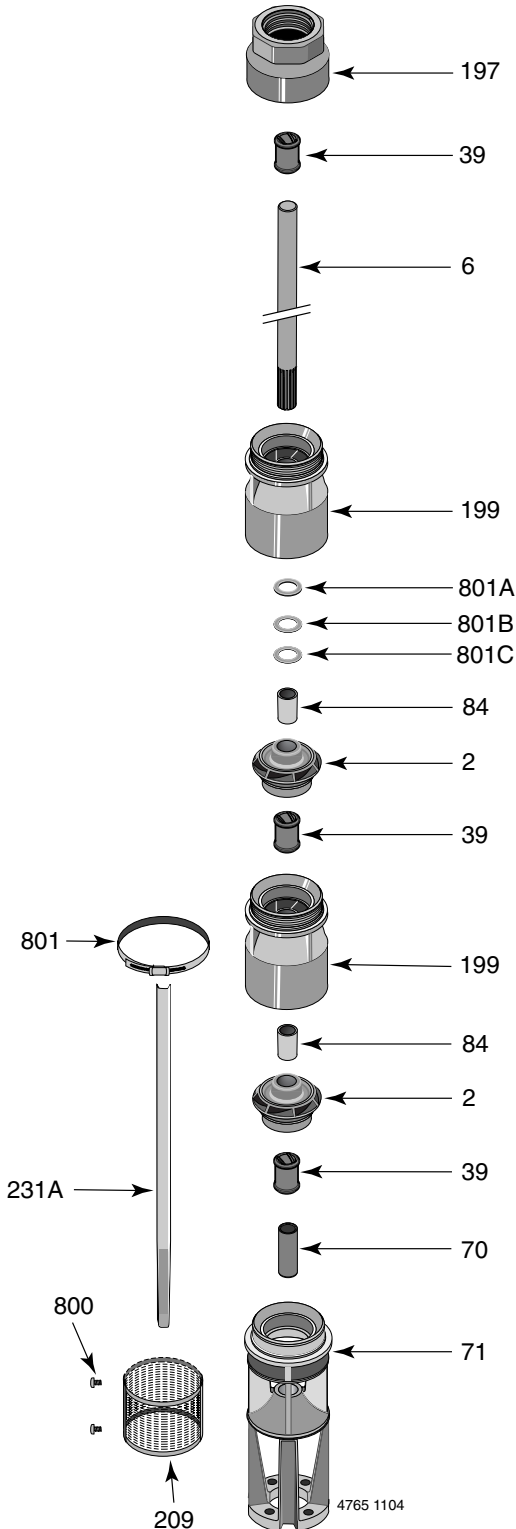
Submersible Turbine Repair Parts

Section	ST
Page	100.3
Date	June 1, 2006
Supersedes NEW	

7T-175

6" Motor

7T-175 Common Parts Groups Repair Parts List



Item No.	Part Description	Part Number
39	Rubber Bearing	S13636
70	Splined Coupling	387630500
71	Inlet Bracket for 6" Motor	H05843
84	Collet, Impeller	S05301
197	Discharge Connector, 4" FPT	L08023
199	Top Bowl and Bearing Assembly (Item No. 39B)	B82482
209	Suction Screen	L07631
800B	Pan Head Tapping Screw #8-15 (2 Req.)	S29885
800C	Set Screw, 3/8-16 x 3/8" lg.	S24287
801	Cable Guard Clamp (2 Req.)	M08595
801A	Upthrust Spacer, 1/8" Brass	M11544
801B	Upthrust Spacer, 1/16" Brass (as required)	M11190
801C	Upthrust Spacing Shim, 1/8" 416SS (as req.)	M11149
	• Bolt Kit, 6" Motor	B69659
	• Pop Rivet, 5/32" x 3/8" lg. (2 Req.)	M10172
	• Nameplate	M12165
	• Owner's Manual	BE215

• Not illustrated.

Additional Staging (Quantity: 1 each per stage)

Item Number	Part Number	Part Description
39	S13636	Rubber Bearing (included in bowl)
84	S05301	Impeller Collet
199	B82482	Intermediate Bowl**

** Includes S13636 Bearing.

Cable Guard Length*

Stages	Length (In.)
2	24.1
3	29.6
4	34.7
6	45.3
7	50.6
9	61.3
11	71.9
14	87.8
17	103.7

* Sold in 12' lengths only, Part Number 308666000.

Consult owner's manual for correct assembly and adjustment procedures.



Submersible Turbine Repair Parts

Section	ST
Page	100.4
Date	June 1, 2006
Supercedes NEW	

7T-175

6" Motor

Available Impellers*

Description	Part Number	Size (In.)
"A" Full Trim	M13830	5.29 x 5.03
"B" 5% Trim	M13940	5.02 x 4.78
"C" 10% Trim	M14674	4.76 x 4.44
"D" 15% Trim	M14675	4.58 x 4.26

* 23° trim angle.

7T-175 Impeller Specifications

Catalog Number	Horsepower	416 SS Shaft§	Primary Trims	Part Number†	Trim (In.)	Secondary Trim	Part Number	Trim (In.)
B85413	5	M11743	2	M14675	4.58 x 4.26			
B85414	7.5	M11744	3	M14675	4.58 x 4.26			
B85415	10	M11745	4	M14675	4.58 x 4.26			
B85416	15	M11747	6	M14675	4.58 x 4.26			
B85417	20	M11748	7	M14674	4.76 x 4.44			
B85418	25	M11750	9	M14674	4.76 x 4.44			
B85419	30	M11752	11	M14674	4.76 x 4.44			
B85420	40	M11755	14	M14674	4.76 x 4.44			
B85421	50	M11758	17	M14674	4.76 x 4.44			

† Key #2 – Impeller.

§ Key #6 – Pump Shaft.