

## SERIES 4030 | END SUCTION BASE MOUNTED SPLIT COUPLED | 6 × 5 × 10 | SUBMITTAL

File No: 40.66  
Date: OCTOBER 15, 2013  
Supersedes: 40.66  
Date: JULY 10, 2013

Job: \_\_\_\_\_ Representative: \_\_\_\_\_

Order no.: \_\_\_\_\_ Date: \_\_\_\_\_

Engineer: \_\_\_\_\_ Submitted by: \_\_\_\_\_ Date: \_\_\_\_\_

Contractor: \_\_\_\_\_ Approved by: \_\_\_\_\_ Date: \_\_\_\_\_

### PUMP DESIGN DATA

No. of pumps: \_\_\_\_\_ Tag: \_\_\_\_\_  
Capacity: \_\_\_\_\_ USgpm (L/s) Head: \_\_\_\_\_ ft (m)  
Liquid: \_\_\_\_\_ Viscosity: \_\_\_\_\_  
Temperature: \_\_\_\_\_ °F (°C) Specific gravity: \_\_\_\_\_  
Suction: 6" (150mm) Lugged  
Discharge: 5" (125mm) Flanged

### MATERIALS OF CONSTRUCTION

| ANSI FLANGE RATING | ANSI 125                    | ANSI 250                     |
|--------------------|-----------------------------|------------------------------|
| Construction       | <input type="checkbox"/> BF | <input type="checkbox"/> DBF |
| Casing             | Cast iron                   | Ductile iron                 |

**Impeller:** Bronze  
**Gasket:** Confined non-asbestos fiber  
**Bearing frame:** Cast iron  
**Anti-friction bearings:** Permanently lubricated  
**Shaft:** Carbon steel  
**Shaft sleeve:** Stainless steel  
**Coupler:** Constant speed: Woods sure-flex or equal  
Variable speed: Woods dura-flex or equal  
**Coupler guard:** Steel OSHA  
**Baseplate:** Fabricated steel

### MECHANICAL SEAL DATA

**Seal type:** 2A      **Stationary seat:** Silicone carbide  
**Secondary seal:** EPDM      **Rotating hardware:** Stainless steel  
**Spring:** Stainless steel

| FLUID TYPE     | ALL GLYCOLS > 30% WT CONC |                   | ALL OTHER NON-POTABLE FLUIDS |                        | POTABLE (DRINKING) WATER |                   |
|----------------|---------------------------|-------------------|------------------------------|------------------------|--------------------------|-------------------|
|                | up to 200°F (93°C)        | over 200°F (93°C) | up to 200°F (93°C)           | over 200°F (93°C)      | up to 200°F (93°C)       | over 200°F (93°C) |
| Temperature    | up to 200°F (93°C)        | over 200°F (93°C) | up to 200°F (93°C)           | over 200°F (93°C)      | up to 200°F (93°C)       | over 200°F (93°C) |
| Rotating face  | Silicone carbide          |                   | Resin bonded carbon          | Antimony loaded carbon | Resin bonded carbon      |                   |
| Seat elastomer | EPDM (L-cup)              | EPDM (O-ring)     | EPDM (L-cup)                 | EPDM (O-ring)          | EPDM (L-cup)             | EPDM (O-ring)     |
| Material code  | SCSc L EPSS 2A            | SCSc O EPSS 2A    | C-SC L EPSS 2A               | ACSc O EPSS 2A         | C-SC L EPSS 2A           | C-SC O EPSS 2A    |

### MOTOR DESIGN DATA

HP: \_\_\_\_\_ RPM: \_\_\_\_\_ Frame size: \_\_\_\_\_ Enclosure: \_\_\_\_\_  
Volts: \_\_\_\_\_ Hertz: 60 Hz Phase: 3  
Efficiency\*:  NEMA premium 12.12     Other \_\_\_\_\_ %

\* Fractional power and frame 56 motors are supplied with the standard efficiency of the manufacturer.

### MAXIMUM PUMP OPERATING CONDITIONS

#### ANSI 125

175 psig at 150°F (12 bars at 65°C)  
140 psig at 250°F (10 bars at 121°C)

#### ANSI 250

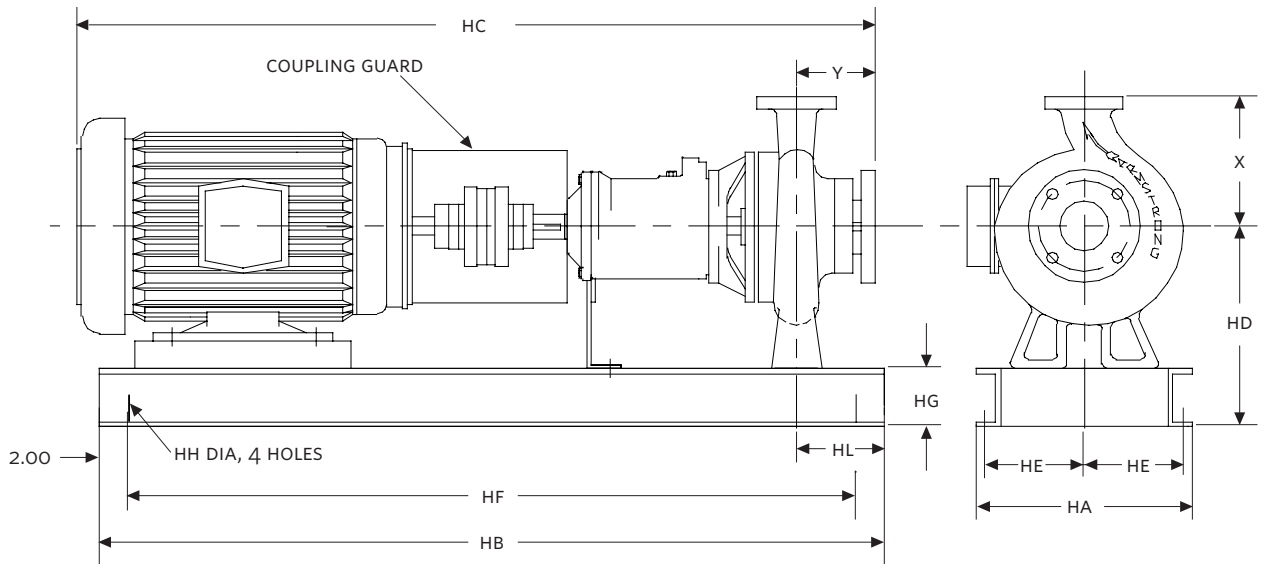
300 psig at 150°F (20 bars at 65°C)  
250 psig at 250°F (17 bars at 121°C)

- Tolerance of ±0.125" (±3 mm) should be used
- See performance curves on page 3
- For exact installation, data please write factory for certified dimensions
- Pump equipped with casing drain plug and ¼" NPT suction and discharge gauge ports

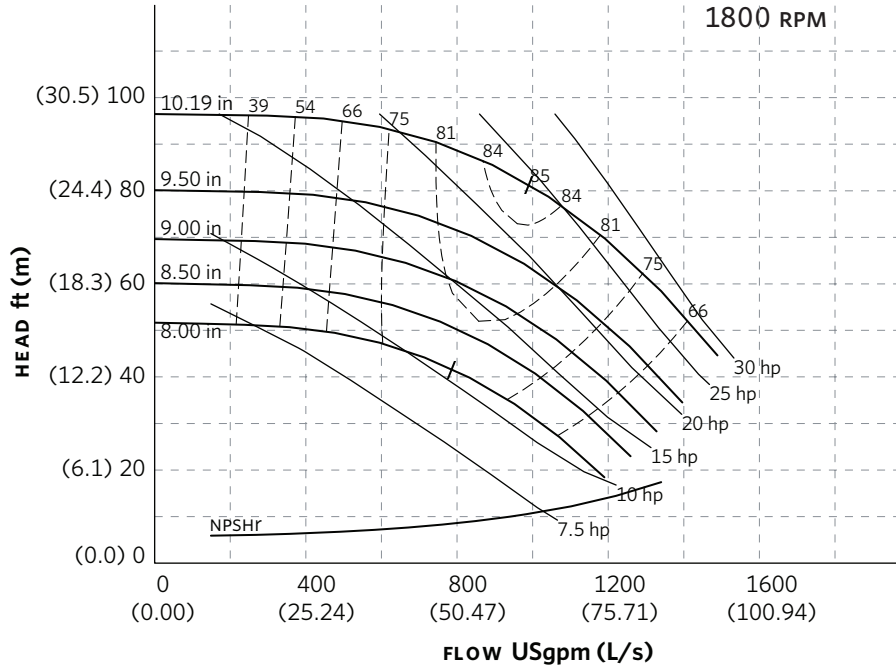
### OPTIONAL EQUIPMENT

| MOTOR | HORSEPOWER @ RPM |      | MAX. DIMENSIONS INCHES (mm) |                 |                 |                |               |                 |               |              |               |                |               | MAX. ASSEMBLY WEIGHT* |                |
|-------|------------------|------|-----------------------------|-----------------|-----------------|----------------|---------------|-----------------|---------------|--------------|---------------|----------------|---------------|-----------------------|----------------|
|       | 1800             | 1200 | HA                          | HB              | HC              | HD             | HE            | HF              | HG            | HH           | HL            | X              | Y             | lbs (kgs)             |                |
| FRAME | ODP/TEFC         |      |                             |                 |                 |                |               |                 |               |              |               |                |               | ODP                   | TEFC           |
| 213TC | —                | 3    | 16.00<br>(406)              | 40.00<br>(1016) | 34.12<br>(867)  | 13.00<br>(330) | 7.38<br>(187) | 36.00<br>(914)  | 3.00<br>(76)  | 0.75<br>(19) | 4.50<br>(114) | 12.50<br>(318) | 4.00<br>(102) | 300<br>(136.1)        | 315<br>(142.9) |
| 215TC | 10               | 5    | 16.00<br>(406)              | 40.00<br>(1016) | 34.12<br>(867)  | 13.00<br>(330) | 7.38<br>(187) | 36.00<br>(914)  | 3.00<br>(76)  | 0.75<br>(19) | 4.50<br>(114) | 12.50<br>(318) | 4.00<br>(102) | 310<br>(140.6)        | 330<br>(149.7) |
| 254TC | 15               | 7.5  | 16.00<br>(406)              | 40.00<br>(1016) | 40.10<br>(1019) | 13.00<br>(330) | 7.38<br>(187) | 36.00<br>(914)  | 3.00<br>(76)  | 0.75<br>(19) | 4.50<br>(114) | 12.50<br>(318) | 4.00<br>(102) | 360<br>(163.3)        | 400<br>(181.4) |
| 256TC | 20               | 10   | 16.00<br>(406)              | 45.00<br>(1143) | 43.73<br>(1111) | 13.00<br>(330) | 7.38<br>(187) | 41.00<br>(1041) | 3.00<br>(76)  | 0.75<br>(19) | 4.50<br>(114) | 12.50<br>(318) | 4.00<br>(102) | 423<br>(191.9)        | 493<br>(223.6) |
| 284TC | 25               | —    | 19.00<br>(483)              | 48.00<br>(1219) | 44.50<br>(1130) | 14.00<br>(356) | 8.88<br>(225) | 44.00<br>(1118) | 4.00<br>(102) | 0.75<br>(19) | 4.50<br>(114) | 12.50<br>(318) | 4.00<br>(102) | 473<br>(214.5)        | 513<br>(232.7) |
| 286TC | 30               | —    | 19.00<br>(483)              | 48.00<br>(1219) | 46.00<br>(1168) | 14.00<br>(356) | 8.88<br>(225) | 44.00<br>(1118) | 4.00<br>(102) | 0.75<br>(19) | 4.50<br>(114) | 12.50<br>(318) | 4.00<br>(102) | 493<br>(223.6)        | 533<br>(241.8) |

\*Assembly weight combines pump and motor.



**SERIES 4030 PERFORMANCE CURVES**



**Curve number**  
PT101-1-0-1800

**Series**  
4030  
4280

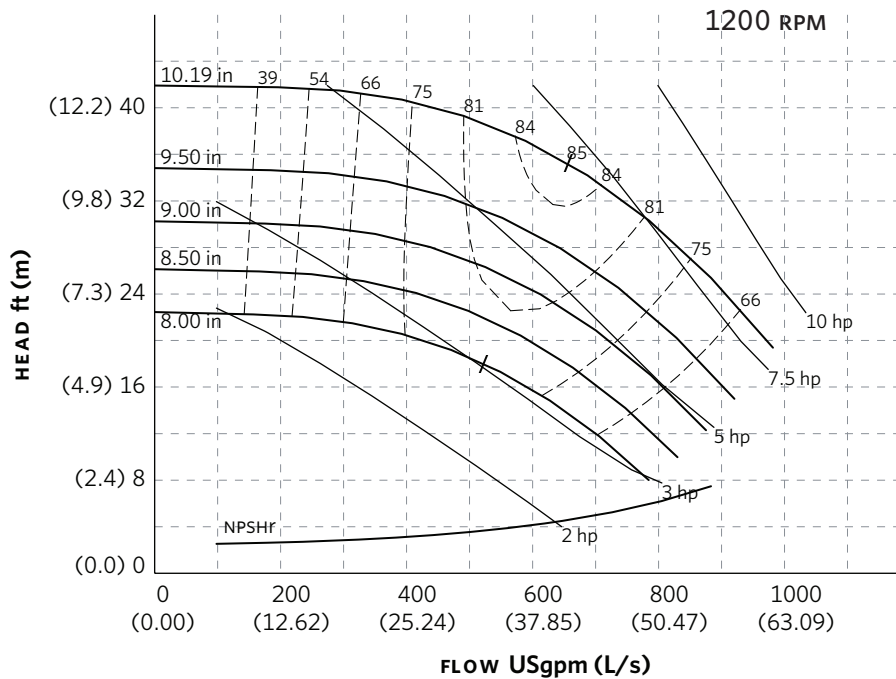
**Size**  
6 × 5 × 10

**RPM**  
1800

BHP based on shown  
Fluid's sp. gr.

**Availability**  
4030 all ratings  
4280 all ratings

Performance  
guaranteed only  
at operating point  
indicated.  
Curve shown for  
clear, cold water  
- SP. GR. 1.0000



**Curve number**  
PT101-1-0-1200

**Series**  
4030  
4280

**Size**  
6 × 5 × 10

**RPM**  
1200

BHP based on shown  
Fluid's sp. gr.

**Availability**  
4030 all ratings  
4280 all ratings

Performance  
guaranteed only  
at operating point  
indicated.  
Curve shown for  
clear, cold water  
- SP. GR. 1.0000

Performance curves are for reference only.  
Confirm current performance data with Armstrong ACE Online selection software.

**TORONTO**

23 BERTRAND AVENUE  
TORONTO, ONTARIO  
CANADA  
M1L 2P3  
+1 416 755 2291

**BUFFALO**

93 EAST AVENUE  
NORTH TONAWANDA, NEW YORK  
U.S.A.  
14120-6594  
+1 716 693 8813

**BIRMINGHAM**

HEYWOOD WHARF, MUCKLOW HILL  
HALESOWEN, WEST MIDLANDS  
UNITED KINGDOM  
B62 8DJ  
+44 (0) 8444 145 145

**MANCHESTER**

WENLOCK WAY  
MANCHESTER  
UNITED KINGDOM  
M12 5JL  
+44 (0) 8444 145 145

**BANGALORE**

#59, FIRST FLOOR, 3RD MAIN  
MARGOSA ROAD, MALLESWARAM  
BANGALORE, INDIA  
560 003  
+91 (0) 80 4906 3555

**SHANGHAI**

NO. 1619 HU HANG ROAD, XI DU TOWNSHIP  
FENG XIAN DISTRICT, SHANGHAI  
P.R.C.  
201401  
+86 21 3756 6696

**MAKING  
ENERGY  
MAKE  
SENSE™**