

## SERIES 4280 | END SUCTION MOTOR MOUNTED CLOSED-COUPLED | 6 × 4 × 8 | SUBMITTAL

File No: 42.65  
Date: SEPTEMBER 10, 2012  
Supersedes: 42.65  
Date: DECEMBER 15, 2010

Job: \_\_\_\_\_ Representative: \_\_\_\_\_  
 \_\_\_\_\_ Order no: \_\_\_\_\_ Date: \_\_\_\_\_  
 Engineer: \_\_\_\_\_ Submitted by: \_\_\_\_\_ Date: \_\_\_\_\_  
 Contractor: \_\_\_\_\_ Approved by: \_\_\_\_\_ Date: \_\_\_\_\_

### PUMP DESIGN DATA

No. of pumps: \_\_\_\_\_ Tag: \_\_\_\_\_  
 Capacity: \_\_\_\_\_ USgpm (L/s) Head: \_\_\_\_\_ ft (m)  
 Liquid: \_\_\_\_\_ Viscosity: \_\_\_\_\_  
 Temperature: \_\_\_\_\_ °F (°C) Specific gravity: \_\_\_\_\_  
 Suction: 6" (150mm) Lugged  
 Discharge: 4" (100mm) Flanged

### MOTOR DESIGN DATA

HP: \_\_\_\_\_ RPM: \_\_\_\_\_ Frame size: \_\_\_\_\_ Enclosure: \_\_\_\_\_  
 Volts: \_\_\_\_\_ Hertz: 60 Hz Phase: 3  
 Efficiency:  Energy EFF 12.11  NEMA premium 12.12

### MATERIALS OF CONSTRUCTION

ANSI FLANGE RATING	ANSI 125	ANSI 250
<b>Construction</b>	<input type="checkbox"/> BF	<input type="checkbox"/> DBF
<b>Casing</b>	Cast iron	Ductile iron
<b>Adapter</b>	Cast iron	Ductile iron

**Impeller:** Bronze

**Gasket:** Confined non-asbestos fiber

**Shaft:** Carbon steel

**Shaft sleeve:** Bronze

### MAXIMUM PUMP OPERATING CONDITIONS

#### ANSI 125

175 psig at 150°F (12 bars at 65°C)  
 140 psig at 250°F (10 bars at 121°C)

#### ANSI 250

300 psig at 150°F (20 bars at 65°C)  
 250 psig at 250°F (17 bars at 121°C)

- Tolerance of ±0.125" (±3 mm) should be used
- See performance curves on page 3
- For exact installation, data please write factory for certified dimensions
- Pump equipped with casing drain plug and ¼" NPT suction and discharge gauge ports

### MECHANICAL SEAL DATA

**Seal type:** 2A **Stationary seat:** Silicone carbide  
**Secondary seal:** EPDM **Rotating hardware:** Stainless steel  
**Spring:** Stainless steel

### OPTIONAL EQUIPMENT

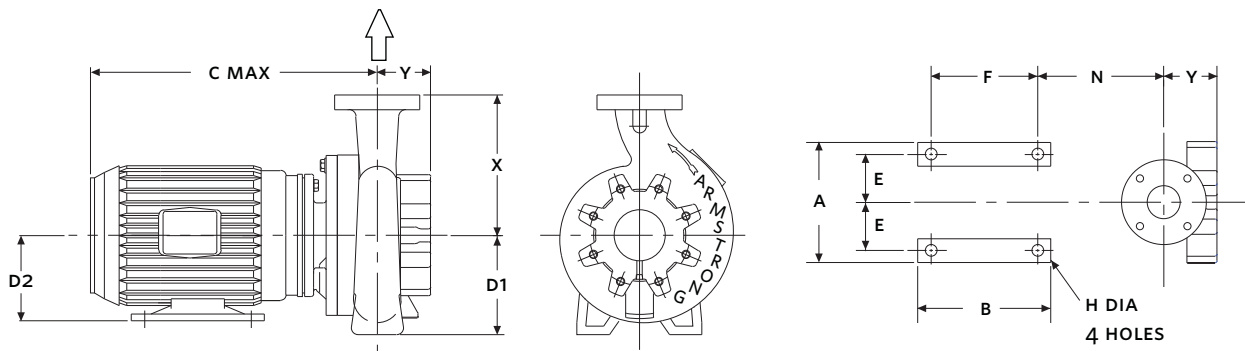
FLUID TYPE	ALL GLYCOLS > 30% WT CONC		ALL OTHER NON-POTABLE FLUIDS		POTABLE (DRINKING) WATER	
	up to 200°F (93°C)	over 200°F (93°C)	up to 200°F (93°C)	over 200°F (93°C)	up to 200°F (93°C)	over 200°F (93°C)
<b>Temperature</b>	up to 200°F (93°C)	over 200°F (93°C)	up to 200°F (93°C)	over 200°F (93°C)	up to 200°F (93°C)	over 200°F (93°C)
<b>Rotating face</b>	Silicone carbide		Resin bonded carbon	Antimony loaded carbon	Resin bonded carbon	
<b>Seat elastomer</b>	EPDM (L-cup)	EPDM (O-ring)	EPDM (L-cup)	EPDM (O-ring)	EPDM (L-cup)	EPDM (O-ring)
<b>Material code</b>	SCSC L EPSS 2A	SCSC O EPSS 2A	C-SC L EPSS 2A	ACSC O EPSS 2A	C-SC L EPSS 2A	C-SC O EPSS 2A

MOTOR	HP @ RPM (ODP & TEFC)			MAX. DIMENSIONS INCHES (mm)										ASSEMBLY WEIGHT*	
	3600	1800	1200	A	B	C MAX		D1	D2	E	F	H	N	lbs (kgs)	
FRAME						ODP	TEFC							ODP	TEFC
145JM	—	—	1	7.00 (178)	6.00 (152)	14.00 (356)	16.00 (406)	7.63 (194)	3.50 (89)	2.75 (70)	5.00 (127)	0.35 (9)	6.63 (168)	153 (69.5)	158 (71.7)
182JM	—	3	1.5	9.00 (229)	5.75 (146)	15.00 (381)	17.00 (432)	7.63 (194)	4.50 (114)	3.75 (95)	4.50 (114)	0.41 (10)	7.38 (187)	184 (83.5)	186 (84.4)
184JM	—	5	—	9.00 (229)	6.75 (172)	16.00 (406)	18.00 (457)	7.63 (194)	4.50 (114)	3.75 (95)	5.50 (140)	0.41 (10)	7.38 (187)	193 (87.6)	188 (85.4)
213JP	—	7.5	2 & 3	10.50 (267)	7.00 (178)	21.00 (533)	23.00 (584)	7.63 (194)	5.25 (133)	4.25 (108)	5.50 (140)	0.41 (10)	12.13 (308)	218 (99.0)	228 (103.5)
215JP	—	10	5	10.50 (267)	8.50 (216)	23.00 (584)	25.00 (635)	7.63 (194)	5.25 (133)	4.25 (108)	7.00 (178)	0.41 (10)	12.13 (308)	233 (105.8)	243 (110.3)
254JM	—	15	—	12.38 (314)	10.50 (267)	22.00 (559)	24.00 (610)	7.63 (194)	6.25 (159)	5.00 (127)	8.25 (210)	0.53 (13)	9.75 (248)	278 (126.2)	328 (148.9)
256JM	25	—	—	12.38 (314)	12.25 (311)	24.00 (610)	26.00 (660)	7.63 (194)	6.25 (159)	5.00 (127)	10.00 (254)	0.53 (13)	9.75 (248)	313 (142.1)	378 (171.6)
284JM	30	—	—	13.88 (353)	12.25 (311)	24.00 (610)	26.00 (660)	7.63 (194)	7.00 (178)	5.50 (140)	9.50 (241)	0.53 (13)	9.75 (248)	348 (158.0)	418 (189.8)
286JM	40	—	—	13.88 (353)	13.75 (349)	26.00 (660)	27.00 (686)	7.63 (194)	7.00 (178)	5.50 (140)	11.00 (279)	0.53 (13)	9.75 (248)	438 (198.9)	528 (239.7)
324JM	50	—	—	15.88 (403)	13.75 (349)	26.00 (660)	29.00 (737)	7.63 (194)	8.00 (203)	6.25 (159)	10.50 (267)	0.66 (17)	10.25 (260)	538 (244.3)	648 (294.2)
326JM	60	—	—	15.88 (403)	15.25 (387)	28.00 (711)	30.00 (762)	7.63 (194)	8.00 (203)	6.25 (159)	12.00 (305)	0.66 (17)	10.25 (260)	578 (262.4)	708 (321.4)

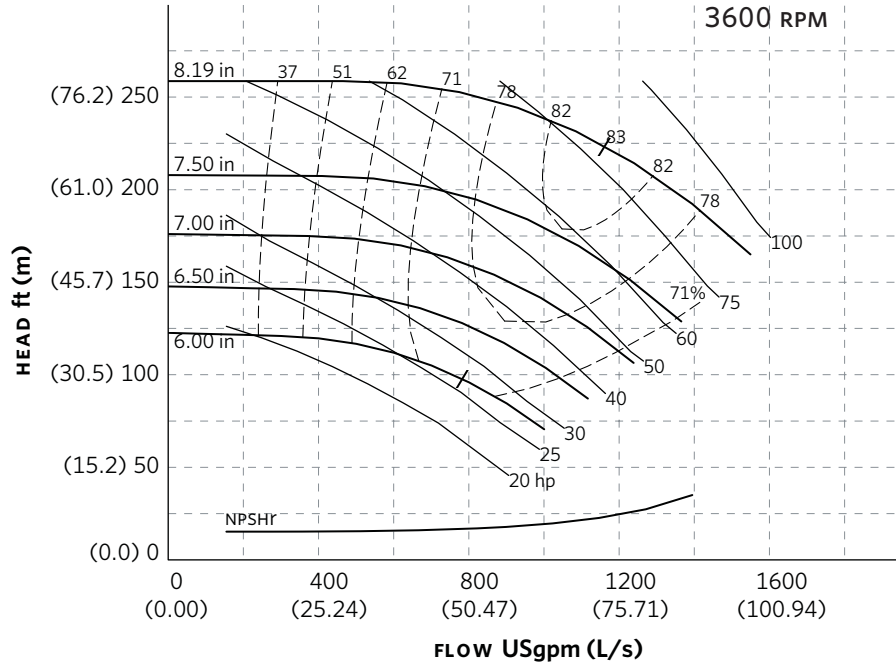
**PUMP DIMENSIONS**  
inches (mm)

X	Y
11.00 (279)	4.00 (102)

\*Assembly weight combines pump and motor.



**SERIES 4280 PERFORMANCE CURVES**



**Curve number**  
PT100-1-0-3600

**Series**  
4030  
4280

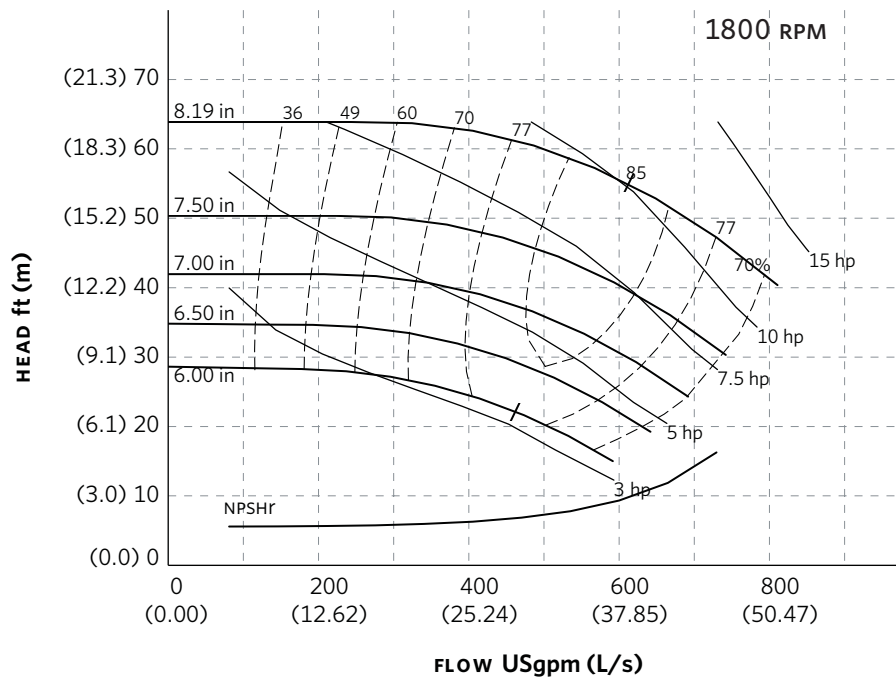
**Size**  
6 × 4 × 8

**RPM**  
3600

BHP based on shown  
Fluid's sp. gr.

**Availability**  
4030 FR 365 MAX.  
4280 FR 326 MAX.

Performance  
guaranteed only  
at operating point  
indicated.  
Curve shown for  
clear, cold water  
- SP. GR. 1.0000



**Curve number**  
PT99-1-0-1800

**Series**  
4030  
4280

**Size**  
6 × 4 × 8

**RPM**  
1800

BHP based on shown  
Fluid's sp. gr.

**Availability**  
4030 all ratings  
4280 all ratings

Performance  
guaranteed only  
at operating point  
indicated.  
Curve shown for  
clear, cold water  
- SP. GR. 1.0000

Performance curves are for reference only.  
Confirm current performance data with Armstrong ACE ONLINE selection software.

**TORONTO**

23 BERTRAND AVENUE  
TORONTO, ONTARIO  
CANADA  
M1L 2P3  
+1 416 755 2291

**BUFFALO**

93 EAST AVENUE  
NORTH TONAWANDA, NEW YORK  
U.S.A.  
14120-6594  
+1 716 693 8813

**BIRMINGHAM**

HEYWOOD WHARF, MUCKLOW HILL  
HALESOWEN, WEST MIDLANDS  
UNITED KINGDOM  
B62 8DJ  
+44 (0) 8444 145 145

**MANCHESTER**

WENLOCK WAY  
MANCHESTER  
UNITED KINGDOM  
M12 5JL  
+44 (0) 8444 145 145

**BANGALORE**

#59, FIRST FLOOR, 3RD MAIN  
MARGOSA ROAD, MALLESWARAM  
BANGALORE, INDIA  
560 003  
+91 (0) 80 4906 3555

**SHANGHAI**

NO. 1619 HU HANG ROAD, XI DU TOWNSHIP  
FENG XIAN DISTRICT, SHANGHAI  
P.R.C.  
201401  
+86 21 3756 6696

ARMSTRONG INTEGRATED  
ESTABLISHED 1934

ARMSTRONGINTEGRATED.COM

**MAKING  
ENERGY  
MAKE  
SENSE™**