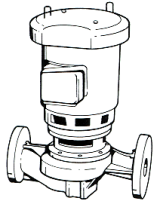


JOB: UNIT TAG: ENGINEER: CONTRACTOR:	REPRESENTATIVE: ORDER NO.: SUBMITTED BY: APPROVED BY:	DATE: DATE: DATE:
---	--	--



6x6x9¹/₂ Series 80[®] In-Line Mounted Centrifugal Pumps

SPECIFICATIONS

FLOW _____ HEAD _____
 HP _____ RPM _____
 VOLTS _____
 CYCLE _____ PHASE _____
 ENCLOSURE _____
 APPROX. WEIGHT _____
 SPECIALS _____

MATERIALS OF CONSTRUCTION

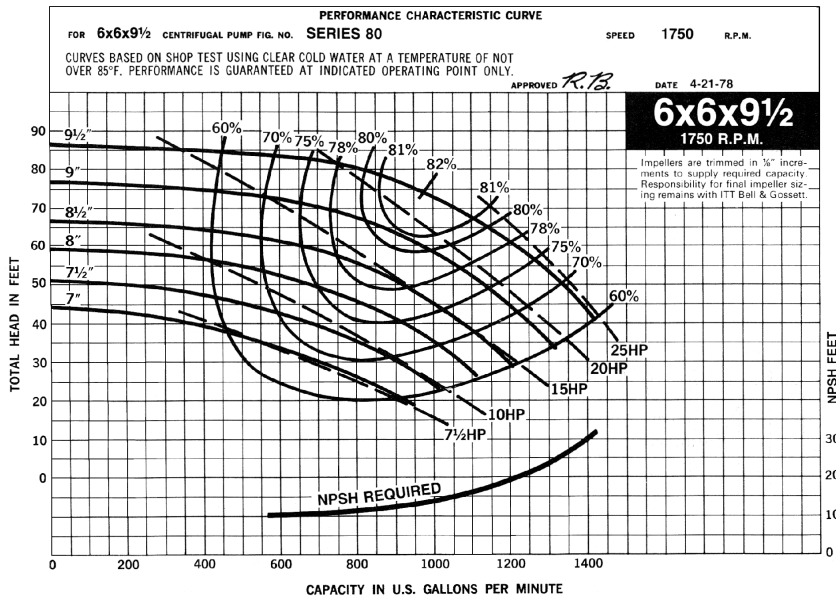
- BRONZE FITTED ALL IRON

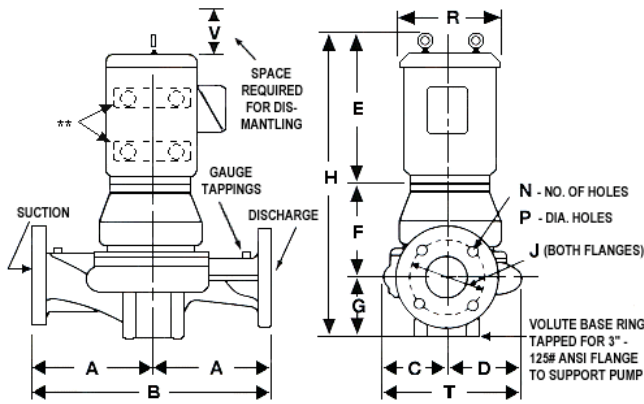
MAXIMUM WORKING PRESSURE

- 175 psi (12 bar) W.P. with 125# ANSI flange drilling
 250 psi (17 bar) W.P. with 250# ANSI flange drilling (requires 80-S)
 300 psi (21 bar) W.P. with 250# ANSI flange drilling (EPR-Sintered Silicon Carbide-Sintered Silicon Carbide) Requires 80-S

TYPE OF SEAL

- 80 Standard Seal (Buna-Carbon/Ceramic)
 80 -F Standard Seal w/ Flush Line (Buna-Carbon/Ceramic)
 80 -S Stuffing Box construction w/ Flushed Mechanical Single Seal (EPR-Tungsten Carbide/Carbon)
 80 -D Stuffing Box construction w/ Flushed Double Mechanical Seal (EPR-Carbon/Ceramic) Requires external water source
 80 -PF Stuffing Box Construction w/ Flushed Packing (Graphite Impregnated PTFE)





FLANGE DIMENSIONS IN INCHES (MM)			
	SIZE	THICKNESS	O.D.
Discharge	6"	1-7/16 (37)	12-1/8 (308)
Suction	6"	1-7/16 (37)	12-1/8 (308)

FLANGES ARE 125# ANSI - STANDARD
250# ANSI - AVAILABLE

** Motor may be supplied with feet

DIMENSIONS - Inches (mm)

STANDARD SEAL 80, 80-F

MOTOR FRAME	A	B	C	D	E (Max)	F	G	H (Max)	125# ANSI			250# ANSI			R	S (Max)*	T	V (Min)
									J	N	P	J	N	P				
213	16-3/4 (425)	33-1/2 (851)	8-1/4 (210)	10 (254)	19-1/4 (489)	5-3/8 (137)	8-3/4 (222)	33-3/8 (848)	9-1/2 (241)	8	7/8 (22)	10-5/8 (270)	12	7/8 (22)	14 (356)	-	18-1/4 (464)	5 (127)
215	16-3/4 (425)	33-1/2 (851)	8-1/4 (210)	10 (254)	19-1/4 (489)	5-3/8 (137)	8-3/4 (222)	33-3/8 (848)	9-1/2 (241)	8	7/8 (22)	10-5/8 (270)	12	7/8 (22)	14 (356)	-	18-1/4 (464)	5 (127)
254	16-3/4 (425)	33-1/2 (851)	8-1/4 (210)	10 (254)	24-1/8 (613)	9-1/4 (235)	8-3/4 (222)	42-1/8 (1070)	9-1/2 (241)	8	7/8 (22)	10-5/8 (270)	12	7/8 (22)	17 (432)	-	18-1/4 (464)	5 (127)
256	16-3/4 (425)	33-1/2 (851)	8-1/4 (210)	10 (254)	24-1/8 (613)	9-1/4 (235)	8-3/4 (222)	42-1/8 (1070)	9-1/2 (241)	8	7/8 (22)	10-5/8 (270)	12	7/8 (22)	17 (432)	-	18-1/4 (464)	5 (127)
284	16-3/4 (425)	33-1/2 (851)	8-1/4 (210)	10 (254)	23-5/8 (600)	9-1/4 (235)	8-3/4 (222)	41-5/8 (1057)	9-1/2 (241)	8	7/8 (22)	10-5/8 (270)	12	7/8 (22)	16-1/8 (410)	4-5/8 (117)	18-1/4 (464)	5 (127)

STUFFING BOX 80-PF, 80-S, 80-D

MOTOR FRAME	A	B	C	D	E (Max)	F	G	H (Max)	125# ANSI			250# ANSI			R	S (Max)*	T	V (Min)
									J	N	P	J	N	P				
213	16-3/4 (425)	33-1/2 (851)	8-1/4 (210)	10 (254)	19-1/4 (489)	9-1/4 (235)	8-3/4 (222)	37-1/4 (946)	9-1/2 (241)	8	7/8 (22)	10-5/8 (270)	12	7/8 (22)	14 (356)	-	18-1/4 (464)	5 (127)
215	16-3/4 (425)	33-1/2 (851)	8-1/4 (210)	10 (254)	19-1/4 (489)	9-1/4 (235)	8-3/4 (222)	37-1/4 (946)	9-1/2 (241)	8	7/8 (22)	10-5/8 (270)	12	7/8 (22)	14 (356)	-	18-1/4 (464)	5 (127)
254	16-3/4 (425)	33-1/2 (851)	8-1/4 (210)	10 (254)	24-1/8 (613)	9-1/4 (235)	8-3/4 (222)	42-1/8 (1070)	9-1/2 (241)	8	7/8 (22)	10-5/8 (270)	12	7/8 (22)	17 (432)	-	18-1/4 (464)	5 (127)
256	16-3/4 (425)	33-1/2 (851)	8-1/4 (210)	10 (254)	24-1/8 (613)	9-1/4 (235)	8-3/4 (222)	42-1/8 (1070)	9-1/2 (241)	8	7/8 (22)	10-5/8 (270)	12	7/8 (22)	17 (432)	-	18-1/4 (464)	5 (127)
284	16-3/4 (425)	33-1/2 (851)	8-1/4 (210)	10 (254)	23-5/8 (600)	9-1/4 (235)	8-3/4 (222)	41-5/8 (1057)	9-1/2 (241)	8	7/8 (22)	10-5/8 (270)	12	7/8 (22)	16-1/8 (410)	4-5/8 (117)	18-1/4 (464)	5 (127)

Dimensions are subject to change. Not to be used for construction purposes unless certified.

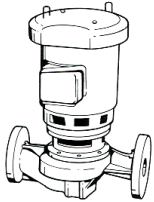
NOTE: For 1 phase Motors add 1" to dimensions E & H.

*For TEFC Motors add S dimension to dimensions E& H.

Xylem Inc.
8200 N. Austin Avenue
Morton Grove, IL 60053
Phone: (847)966-3700
Fax: (847)965-8379
www.bellgossett.com



JOB:	REPRESENTATIVE:	
UNIT TAG:	ORDER NO.	DATE:
ENGINEER:	SUBMITTED BY:	DATE:
CONTRACTOR:	APPROVED BY:	DATE:



6x6x9¹/₂

Series 80[®]

In-Line Mounted Centrifugal Pumps

SPECIFICATIONS

FLOW _____ HEAD _____

HP _____ RPM _____

VOLTS _____

CYCLE _____ PHASE _____

ENCLOSURE _____

APPROX. WEIGHT _____

SPECIALS _____

MATERIALS OF CONSTRUCTION

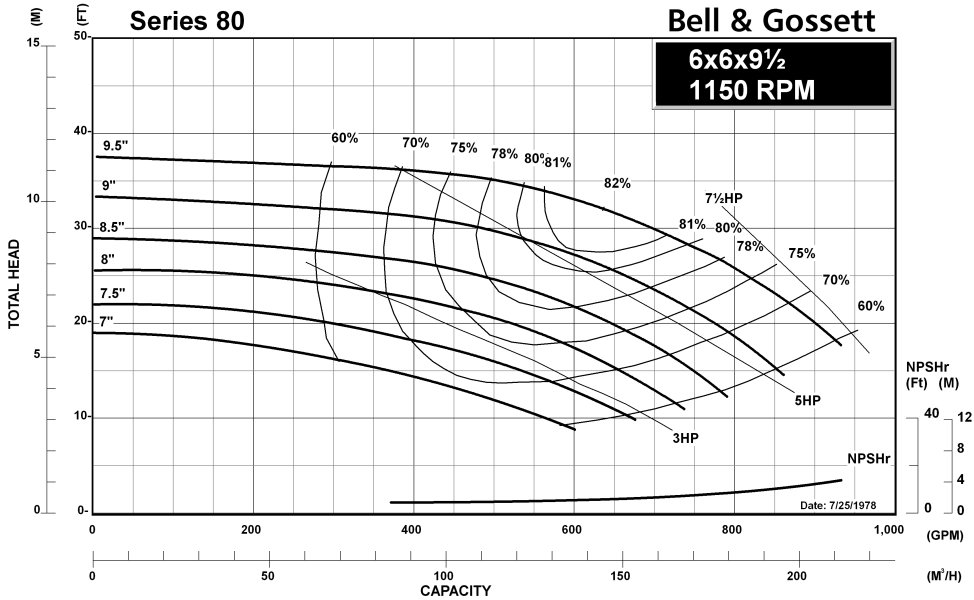
- BRONZE FITTED ALL IRON

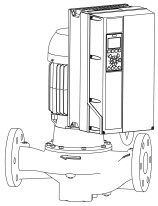
MAXIMUM WORKING PRESSURE

- 175 psi (12 bar) W.P. with 125# ANSI flange drilling
- 250 psi (17 bar) W.P. with 250# ANSI flange drilling (requires 80-S)
- 300 psi (21 bar) W.P. with 250# ANSI flange drilling (EPR-Sintered Silicon Carbide-Sintered Silicon Carbide) Requires 80-S

TYPE OF SEAL

- 80 Standard Seal (Buna-Carbon/Ceramic)
- 80 -F Standard Seal w/ Flush Line (Buna-Carbon/Ceramic)
- 80 -S Stuffing Box construction w/ Flushed Mechanical Single Seal (EPR-Tungsten Carbide/Carbon)
- 80 -D Stuffing Box construction w/ Flushed Double Mechanical Seal (EPR-Carbon/Ceramic) Requires external water source
- 80 -PF Stuffing Box Construction w/ Flushed Packing (Graphite Impregnated PTFE)

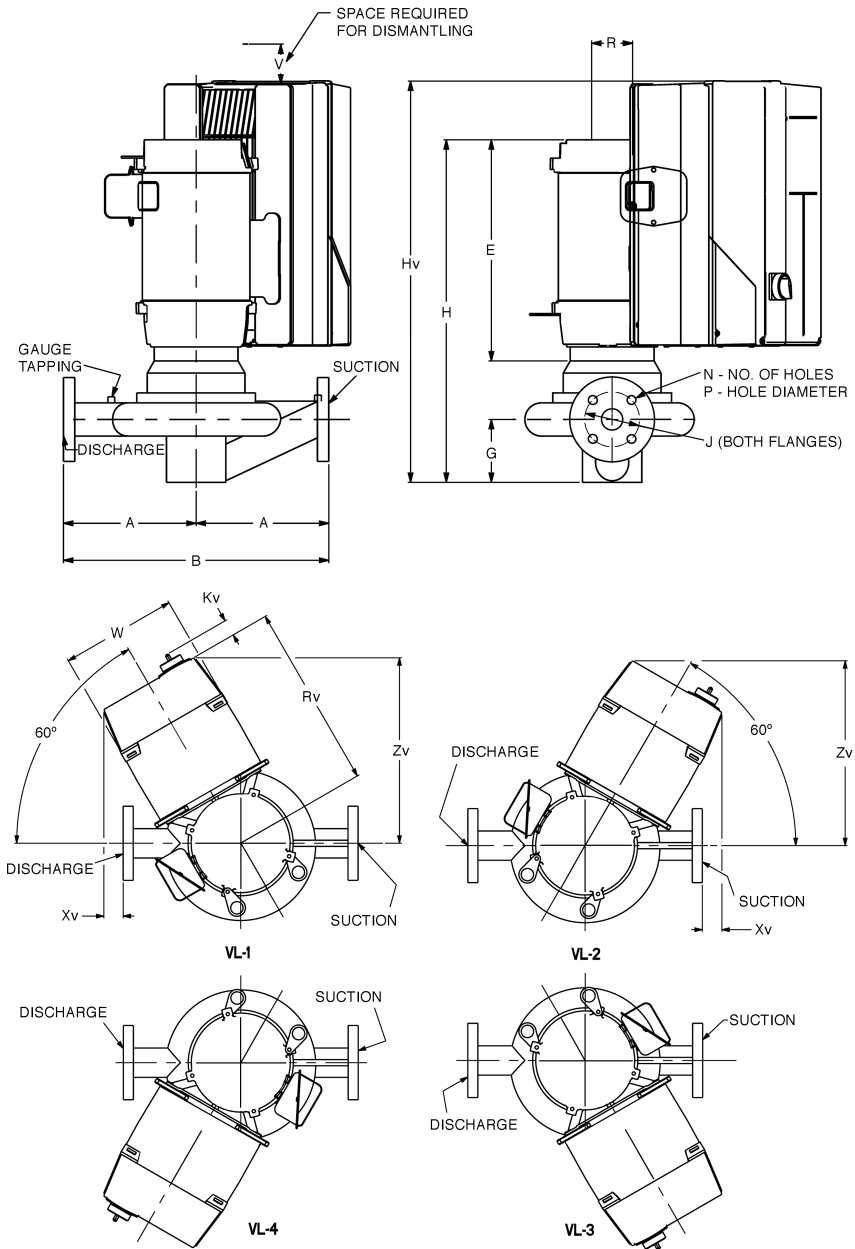




6x6x9^{1/2} Series 80[®]

**In-Line Mounted Centrifugal Pumps
With Optional Integrated Technologic[®] featuring Sensorless Control**

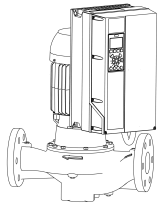
TECHNOLOGIC STANDARD FEATURES	
CONTROL METHOD	Constant Pressure, Linear Control Curve, Quadratic Control Curve Factory configured for sensorless operation standard. Field configurable for use with a wired transducer.
ENCLOSURE	IP55 / NEMA 12 / UL type 12
POWER DISCONNECT SWITCH	Included standard. Fused Disconnect Switch optional.
EMI/RFI CONTROL	Integrated filter to meet EN62800-3.
HARMONIC SUPPRESSION	Integrated non-saturating dual DC link reactors provide better harmonic performance than a 5% AC line reactor.
COOLING	Fan-cooled through temperature controlled and easy replacement.
AMBIENT TEMPERATURE RATING	14°F to 113°F (-10°C to 45°C)
COMMUNICATION PROTOCOLS	BACnet, Modbus RTU, N2 Metasys, FLN Apogee
ANALOG INPUTS	2 configurable for either voltage (0 to 10VDC) or current (0/4 to 20mA)
ANALOG OUTPUTS	1 (0/4 to 20mA) up to 500 ohm load accurate to 1% of full scale
DIGITAL INPUTS	4 (0 to 24VDC), NPN or PNP, 0 to 24VDC, on 5 msec scan interval, Up to 2 can be configured as pulse inputs.
DIGITAL OUTPUTS	2 (0 to 24VDC), 40mA max current, configurable as pulse outputs.
RELAY OUTPUTS	2 programmable, 240VAC or 400VAC up to 2 A



Xylem Inc.
8200 N. Austin Avenue
Morton Grove, IL 60053
Phone: (847)966-3700
Fax: (847)965-8379
www.bellgossett.com

xylem
Let's Solve Water

Bell & Gossett is a trademark of Xylem Inc. or one of its subsidiaries.
© 2013 Xylem Inc.



6x6x9¹/₂ Series 80[®]

In-Line Mounted Centrifugal Pumps
With Optional Integrated Technologic[®] featuring Sensorless Control

DIMENSIONS – Inches (mm)

STANDARD SEAL 80, 80-F

MOTOR FRAME	A	B	E (Max)	G	H (Max)	125# ANSI			250# ANSI			R	VFD	Rv	Zv	W	Hv	Xv
						J	N	P	J	N	P							
213	16-3/4 (425)	33-1/2 (851)	19-1/4 (489)	8-3/4 (222)	33-3/8 (848)	9-1/2 (241)	8	7/8 (22)	10-5/8 (270)	12	7/8 (22)	14 (356)	A5	13-17/32 (344)	13-53/64 (351)	9-1/2 (241)	35-61/64 (913)	6-5/16 (160)
215	16-3/4 (425)	33-1/2 (851)	19-1/4 (489)	8-3/4 (222)	33-3/8 (848)	9-1/2 (241)	8	7/8 (22)	10-5/8 (270)	12	7/8 (22)	14 (356)	A5	13-17/32 (344)	13-53/64 (351)	9-1/2 (241)	34-31/64 (876)	6-5/16 (160)
													B1	15-53/64 (402)	15-27/32 (402)	9-1/2 (241)	36-1/64 (915)	5-1/8 (130)
254	16-3/4 (425)	33-1/2 (851)	24-1/8 (613)	8-3/4 (222)	42-1/8 (1070)	9-1/2 (241)	8	7/8 (22)	10-5/8 (270)	12	7/8 (22)	17 (432)	A5	14-17/32 (369)	14-45/64 (373)	9-1/2 (241)	42-1/8 (1070)	5-13/16 (148)
													B1	16-53/64 (427)	16-45/64 (424)	9-1/2 (241)	45-1/8 (1146)	4-5/8 (118)
256	16-3/4 (425)	33-1/2 (851)	24-1/8 (613)	8-3/4 (222)	42-1/8 (1070)	9-1/2 (241)	8	7/8 (22)	10-5/8 (270)	12	7/8 (22)	17 (432)	B1	16-53/64 (427)	16-45/64 (424)	9-1/2 (241)	44-1/2 (1130)	4-5/8 (118)
													B2	16-53/64 (427)	16-45/64 (424)	9-1/2 (241)	48-61/64 (1243)	4-5/8 (118)
284	16-3/4 (425)	33-1/2 (851)	23-5/8 (600)	8-3/4 (222)	41-5/8 (1057)	9-1/2 (241)	8	7/8 (22)	10-5/8 (270)	12	7/8 (22)	16-1/8 (410)	B1	17-37/64 (446)	17-23/64 (441)	9-1/2 (241)	43-7/8 (1114)	4-1/4 (108)
													C1	19-37/64 (497)	19-5/8 (498)	12-3/32 (307)	50-47/64 (1289)	2-11/32 (59)

STUFFING BOX 80-PF, 80-S, 80-D

MOTOR FRAME	A	B	E (Max)	G	H (Max)	125# ANSI			250# ANSI			R	VFD	Rv	Zv	W	Hv	Xv
						J	N	P	J	N	P							
213	16-3/4 (425)	33-1/2 (851)	19-1/4 (489)	8-3/4 (222)	37-1/4 (946)	9-1/2 (241)	8	7/8 (22)	10-5/8 (270)	12	7/8 (22)	14 (356)	A5	13-17/32 (344)	13-53/64 (351)	9-1/2 (241)	39-53/64 (1012)	6-5/16 (160)
215	16-3/4 (425)	33-1/2 (851)	19-1/4 (489)	8-3/4 (222)	37-1/4 (946)	9-1/2 (241)	8	7/8 (22)	10-5/8 (270)	12	7/8 (22)	14 (356)	A5	13-17/32 (344)	13-53/64 (351)	9-1/2 (241)	38-23/64 (974)	6-5/16 (160)
													B1	15-53/64 (402)	15-27/32 (402)	9-1/2 (241)	39-57/64 (1013)	5-1/8 (130)
254	16-3/4 (425)	33-1/2 (851)	24-1/8 (613)	8-3/4 (222)	42-1/8 (1070)	9-1/2 (241)	8	7/8 (22)	10-5/8 (270)	12	7/8 (22)	17 (432)	A5	14-17/32 (369)	14-45/64 (373)	9-1/2 (241)	42-1/8 (1070)	5-13/16 (148)
													B1	16-53/64 (427)	16-45/64 (424)	9-1/2 (241)	45-1/8 (1146)	4-5/8 (118)
256	16-3/4 (425)	33-1/2 (851)	24-1/8 (613)	8-3/4 (222)	42-1/8 (1070)	9-1/2 (241)	8	7/8 (22)	10-5/8 (270)	12	7/8 (22)	17 (432)	B1	16-53/64 (427)	16-45/64 (424)	9-1/2 (241)	44-1/2 (1130)	4-5/8 (118)
													B2	16-53/64 (427)	16-45/64 (424)	9-1/2 (241)	48-61/64 (1243)	4-5/8 (118)
284	16-3/4 (425)	33-1/2 (851)	23-5/8 (600)	8-3/4 (222)	41-5/8 (1057)	9-1/2 (241)	8	7/8 (22)	10-5/8 (270)	12	7/8 (22)	16-1/8 (410)	B1	17-37/64 (446)	17-23/64 (441)	9-1/2 (241)	43-7/8 (1114)	4-1/4 (108)
													C1	19-37/64 (497)	19-5/8 (498)	12-3/32 (307)	50-47/64 (1289)	2-11/32 (59)

Xylem Inc.
8200 N. Austin Avenue
Morton Grove, IL 60053
Phone: (847)966-3700
Fax: (847)965-8379
www.bellgossett.com



Bell & Gossett is a trademark of Xylem Inc. or one of its subsidiaries.
© 2013 Xylem Inc.