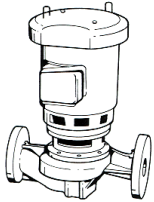


JOB: UNIT TAG: ENGINEER: CONTRACTOR:	REPRESENTATIVE: ORDER NO.: SUBMITTED BY: APPROVED BY:	DATE: DATE: DATE:
---	--	--



6x6x7 Series 80[®] In-Line Mounted Centrifugal Pumps

SPECIFICATIONS

FLOW _____ HEAD _____
 HP _____ RPM _____
 VOLTS _____
 CYCLE _____ PHASE _____
 ENCLOSURE _____
 APPROX. WEIGHT _____
 SPECIALS _____

MATERIALS OF CONSTRUCTION

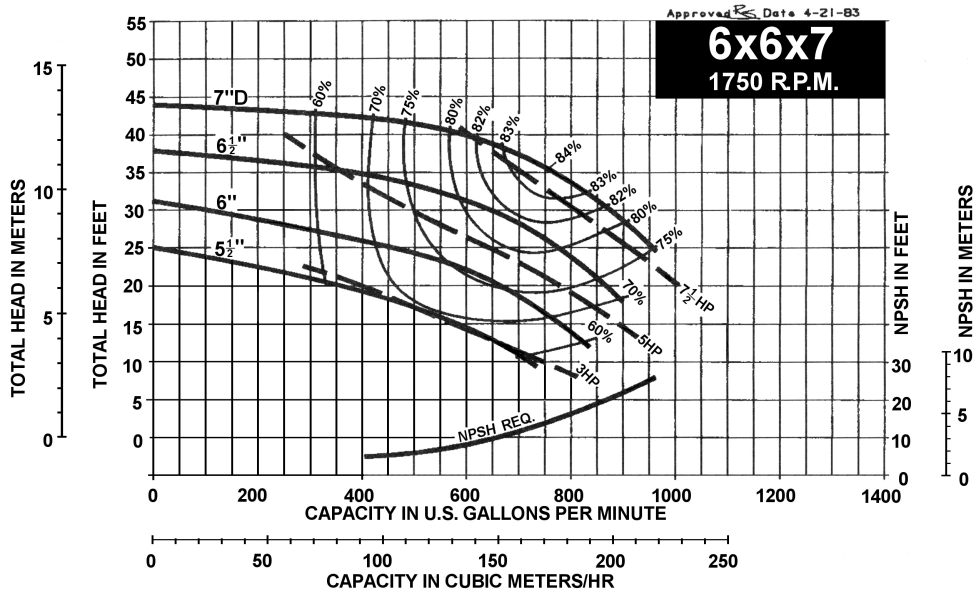
- BRONZE FITTED ALL IRON

MAXIMUM WORKING PRESSURE

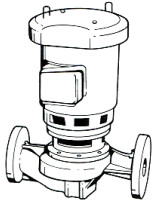
- 175 psi (12 bar) W.P. with 125# ANSI flange drilling
 250 psi (17 bar) W.P. with 250# ANSI flange drilling (requires 80-S)
 300 psi (21 bar) W.P. with 250# ANSI flange drilling (EPR-Sintered Silicon Carbide-Sintered Silicon Carbide) Requires 80-S

TYPE OF SEAL

- 80 Standard Seal (Buna-Carbon/Ceramic)
 80 -F Standard Seal w/ Flush Line (Buna-Carbon/Ceramic)
 80 -S Stuffing Box construction w/ Flushed Mechanical Single Seal (EPR-Tungsten Carbide/Carbon)
 80 -D Stuffing Box construction w/ Flushed Double Mechanical Seal (EPR-Carbon/Ceramic) Requires external water source
 80 -PF Stuffing Box Construction w/ Flushed Packing (Graphite Impregnated PTFE)



JOB: UNIT TAG: ENGINEER: CONTRACTOR:	REPRESENTATIVE: ORDER NO. SUBMITTED BY: APPROVED BY:	DATE: DATE: DATE:
---	---	--



6x6x7

Series 80[®]

In-Line Mounted Centrifugal Pumps

SPECIFICATIONS

FLOW _____ HEAD _____

HP _____ RPM _____

VOLTS _____

CYCLE _____ PHASE _____

ENCLOSURE _____

APPROX. WEIGHT _____

SPECIALS _____

MATERIALS OF CONSTRUCTION

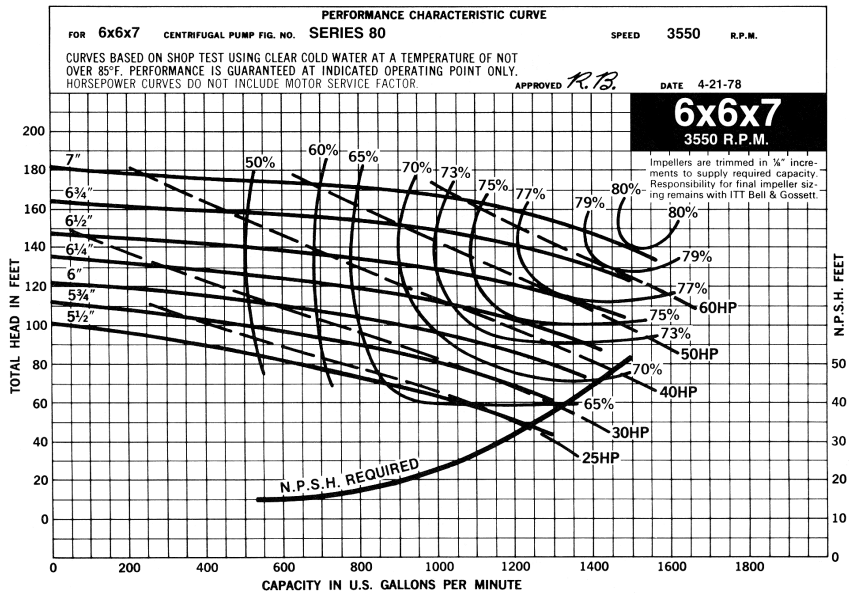
- BRONZE FITTED ALL IRON

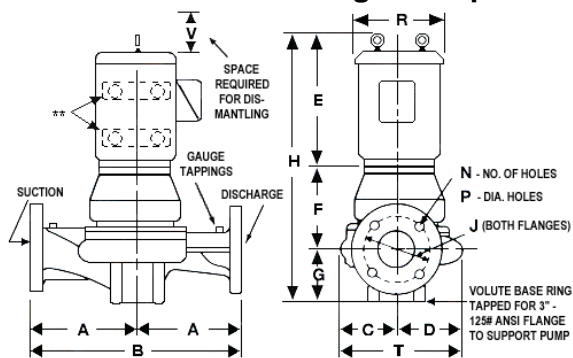
MAXIMUM WORKING PRESSURE

- 175 psi (12 bar) W.P. with 125# ANSI flange drilling
- 250 psi (17 bar) W.P. with 250# ANSI flange drilling (requires 80-S)
- 300 psi (21 bar) W.P. with 250# ANSI flange drilling (EPR-Sintered Silicon Carbide-Sintered Silicon Carbide) Requires 80-S

TYPE OF SEAL

- 80 Standard Seal (Buna-Carbon/Ceramic)
- 80 -F Standard Seal w/ Flush Line (Buna-Carbon/Ceramic)
- 80 -S Stuffing Box construction w/ Flushed Mechanical Single Seal (EPR-Tungsten Carbide/Carbon)
- 80 -D Stuffing Box construction w/ Flushed Double Mechanical Seal (EPR-Carbon/Ceramic) Requires external water source
- 80 -PF Stuffing Box Construction w/ Flushed Packing (Graphite Impregnated PTFE)





FLANGE DIMENSIONS IN INCHES (MM)			
	SIZE	THICKNESS	O.D.
Discharge	6"	1-7/16 (37)	12-1/8 (308)
Suction	6"	1-7/16 (37)	12-1/8 (308)

** Motor may be supplied with feet

DIMENSIONS – Inches (mm)

STANDARD SEAL 80, 80-F

MOTOR FRAME	A	B	C	D	E (Max)	F	G	H (Max)	125# ANSI			250# ANSI			R	S (Max)*	T	V (Min)
									J	N	P	J	N	P				
182	14 (356)	28 (711)	6-1/2 (165)	8-1/2 (216)	15-5/16 (389)	6-1/16 (154)	8-1/8 (206)	29-1/2 (749)	9-1/2 (241)	8	7/8 (22)	10-5/8 (270)	12	7/8 (22)	11-3/4 (298)	1 (25)	15 (381)	5-1/4 (133)
184	14 (356)	28 (711)	6-1/2 (165)	8-1/2 (216)	15-5/16 (389)	6-1/16 (154)	8-1/8 (206)	29-1/2 (749)	9-1/2 (241)	8	7/8 (22)	10-5/8 (270)	12	7/8 (22)	11-3/4 (298)	1 (25)	15 (381)	5-1/4 (133)
213	14 (356)	28 (711)	6-1/2 (165)	8-1/2 (216)	19-1/4 (489)	6-1/16 (154)	8-1/8 (206)	33-7/16 (849)	9-1/2 (241)	8	7/8 (22)	10-5/8 (270)	12	7/8 (22)	14 (356)	-	15 (381)	5-1/4 (133)
215	14 (356)	28 (711)	6-1/2 (165)	8-1/2 (216)	19-1/4 (489)	6-1/16 (154)	8-1/4 (210)	33-7/16 (849)	9-1/2 (241)	8	7/8 (22)	10-5/8 (270)	12	7/8 (22)	14 (356)	-	15 (381)	5-1/4 (133)
254	14 (356)	28 (711)	6-1/2 (165)	8-1/2 (216)	24-1/8 (613)	9-15/16 (252)	8-1/8 (206)	42-3/16 (1072)	9-1/2 (241)	8	7/8 (22)	10-5/8 (270)	12	7/8 (22)	17 (432)	-	15 (381)	5-1/4 (133)
256	14 (356)	28 (711)	6-1/2 (165)	8-1/2 (216)	24-1/8 (613)	9-15/16 (252)	8-1/8 (206)	42-3/16 (1072)	9-1/2 (241)	8	7/8 (22)	10-5/8 (270)	12	7/8 (22)	17 (432)	-	15 (381)	5-1/4 (133)
284	14 (356)	28 (711)	6-1/2 (165)	8-1/2 (216)	23-5/8 (600)	9-15/16 (252)	8-1/8 (206)	41-11/16 (1059)	9-1/2 (241)	8	7/8 (22)	10-5/8 (270)	12	7/8 (22)	16-1/8 (410)	4-5/8 (117)	15 (381)	5-1/4 (133)
286	14 (356)	28 (711)	6-1/2 (165)	8-1/2 (216)	25-1/8 (638)	9-15/16 (252)	8-1/8 (206)	43-3/16 (1097)	9-1/2 (241)	8	7/8 (22)	10-5/8 (270)	12	7/8 (22)	16-1/8 (410)	4-5/8 (117)	15 (381)	5-1/4 (133)
324	14 (356)	28 (711)	6-1/2 (165)	8-1/2 (216)	26 (660)	9-15/16 (252)	8-1/8 (206)	44-1/16 (1119)	9-1/2 (241)	8	7/8 (22)	10-5/8 (270)	12	7/8 (22)	18-3/4 (476)	4-5/8 (117)	15 (381)	5-1/4 (133)
326	14 (356)	28 (711)	6-1/2 (165)	8-1/2 (216)	26 (660)	9-15/16 (252)	8-1/8 (206)	44-1/16 (1119)	9-1/2 (241)	8	7/8 (22)	10-5/8 (270)	12	7/8 (22)	18-3/4 (476)	4-5/8 (117)	15 (381)	5-1/4 (133)

STUFFING BOX 80-PF, 80-S, 80-D

MOTOR FRAME	A	B	C	D	E (Max)	F	G	H (Max)	125# ANSI			250# ANSI			R	S (Max)*	T	V (Min)
									J	N	P	J	N	P				
182	14 (356)	28 (711)	6-1/2 (165)	8-1/2 (216)	15-5/16 (389)	9-1/4 (235)	8-1/8 (206)	32-11/16 (830)	9-1/2 (241)	8	7/8 (22)	10-5/8 (270)	12	7/8 (22)	11-3/4 (298)	1 (25)	15 (381)	5-1/4 (133)
184	14 (356)	28 (711)	6-1/2 (165)	8-1/2 (216)	15-5/16 (389)	9-1/4 (235)	8-1/8 (206)	32-11/16 (830)	9-1/2 (241)	8	7/8 (22)	10-5/8 (270)	12	7/8 (22)	11-3/4 (298)	1 (25)	15 (381)	5-1/4 (133)
213	14 (356)	28 (711)	6-1/2 (165)	8-1/2 (216)	19-1/4 (489)	9-15/16 (252)	8-1/8 (206)	37-5/16 (948)	9-1/2 (241)	8	7/8 (22)	10-5/8 (270)	12	7/8 (22)	14 (356)	-	15 (381)	5-1/4 (133)
215	14 (356)	28 (711)	6-1/2 (165)	8-1/2 (216)	19-1/4 (489)	9-15/16 (252)	8-1/8 (206)	37-5/16 (948)	9-1/2 (241)	8	7/8 (22)	10-5/8 (270)	12	7/8 (22)	14 (356)	-	15 (381)	5-1/4 (133)
254	14 (356)	28 (711)	6-1/2 (165)	8-1/2 (216)	24-1/8 (613)	9-15/16 (252)	8-1/8 (206)	42-3/16 (1072)	9-1/2 (241)	8	7/8 (22)	10-5/8 (270)	12	7/8 (22)	17 (432)	-	15 (381)	5-1/4 (133)
256	14 (356)	28 (711)	6-1/2 (165)	8-1/2 (216)	24-1/8 (613)	9-15/16 (252)	8-1/8 (206)	42-3/16 (1072)	9-1/2 (241)	8	7/8 (22)	10-5/8 (270)	12	7/8 (22)	17 (432)	-	15 (381)	5-1/4 (133)
284	14 (356)	28 (711)	6-1/2 (165)	8-1/2 (216)	23-5/8 (600)	9-15/16 (252)	8-1/8 (206)	41-11/16 (1059)	9-1/2 (241)	8	7/8 (22)	10-5/8 (270)	12	7/8 (22)	16-1/8 (410)	4-5/8 (117)	15 (381)	5-1/4 (133)
286	14 (356)	28 (711)	6-1/2 (165)	8-1/2 (216)	25-1/8 (638)	9-15/16 (252)	8-1/8 (206)	43-3/16 (1097)	9-1/2 (241)	8	7/8 (22)	10-5/8 (270)	12	7/8 (22)	16-1/8 (410)	4-5/8 (117)	15 (381)	5-1/4 (133)
324	14 (356)	28 (711)	6-1/2 (165)	8-1/2 (216)	26 (660)	9-15/16 (252)	8-1/8 (206)	44-1/16 (1119)	9-1/2 (241)	8	7/8 (22)	10-5/8 (270)	12	7/8 (22)	18-3/4 (476)	4-5/8 (117)	15 (381)	5-1/4 (133)
326	14 (356)	28 (711)	6-1/2 (165)	8-1/2 (216)	26 (660)	9-15/16 (252)	8-1/8 (206)	44-1/16 (1119)	9-1/2 (241)	8	7/8 (22)	10-5/8 (270)	12	7/8 (22)	18-3/4 (476)	4-5/8 (117)	15 (381)	5-1/4 (133)

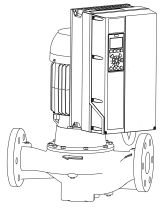
Dimensions are subject to change. Not to be used for construction purposes unless certified.

NOTE: For 1 phase Motors add 1" to dimensions E & H.

*For TEFC Motors add S dimension to dimensions E & H.

Xylem Inc.
8200 N. Austin Avenue
Morton Grove, IL 60053
Phone: (847)966-3700
Fax: (847)965-8379
www.bellgossett.com

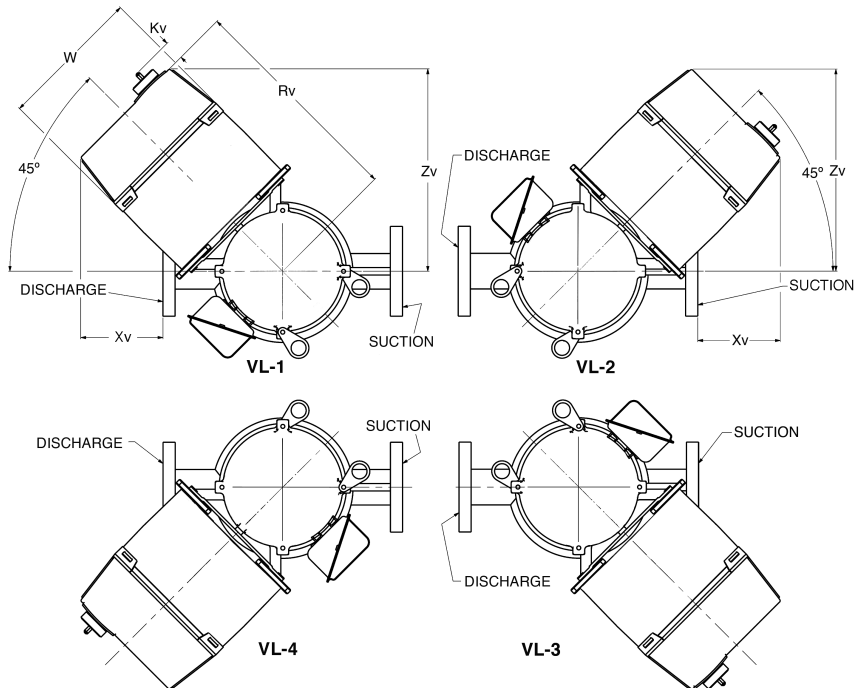
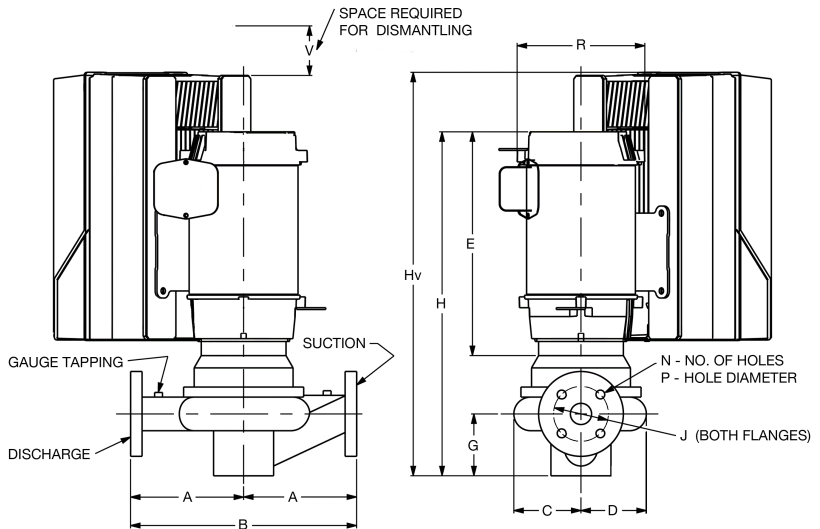




6x6x7 Series 80[®]

In-Line Mounted Centrifugal Pumps
With Optional Integrated Technologic[®] featuring Sensorless Control

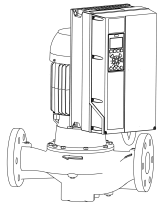
TECHNOLOGIC STANDARD FEATURES	
CONTROL METHOD	Constant Pressure, Linear Control Curve, Quadratic Control Curve Factory configured for sensorless operation standard. Field configurable for use with a wired transducer.
ENCLOSURE	IP55 / NEMA 12 / UL type 12
POWER DISCONNECT SWITCH	Included standard. Fused Disconnect Switch optional.
EMI/RFI CONTROL	Integrated filter to meet EN62800-3.
HARMONIC SUPPRESSION	Integrated non-saturating dual DC link reactors provide better harmonic performance than a 5% AC line reactor.
COOLING	Fan-cooled through temperature controlled and easy replacement.
AMBIENT TEMPERATURE RATING	14°F to 113°F (-10°C to 45°C)
COMMUNICATION PROTOCOLS	BACnet, Modbus RTU, N2 Metasys, FLN Apogee
ANALOG INPUTS	2 configurable for either voltage (0 to 10VDC) or current(0/4 to 20mA)
ANALOG OUTPUTS	1 (0/4 to 20mA) up to 500 ohm load accurate to 1% of full scale
DIGITAL INPUTS	4 (0 to 24VDC), NPN or PNP, 0 to 24VDC, on 5 msec scan interval, Up to 2 can be configured as pulse inputs.
DIGITAL OUTPUTS	2 (0 to 24VDC), 40mA max current, configurable as pulse outputs.
RELAY OUTPUTS	2 programmable, 240VAC or 400VAC up to 2 A



Xylem Inc.
8200 N. Austin Avenue
Morton Grove, IL 60053
Phone: (847)966-3700
Fax: (847)965-8379
www.bellgossett.com



Bell & Gossett is a trademark of Xylem Inc. or one of its subsidiaries.
© 2013 Xylem Inc.



6x6x7 Series 80[®]

In-Line Mounted Centrifugal Pumps[®]
With Optional Integrated Technologic[®] featuring Sensorless Control

DIMENSIONS – Inches (mm)

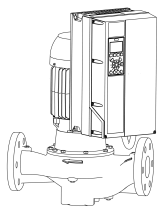
STANDARD SEAL 80, 80-F

MOTOR FRAME	A	B	E (Max)	G	H (Max)	125# ANSI			250# ANSI			R	VFD	Rv	Zv	W	Hv	Xv
						J	N	P	J	N	P							
182	14 (356)	28 (711)	15-5/16 (389)	8-1/8 (206)	29-1/2 (749)	9-1/2 (241)	8	7/8 (22)	10-5/8 (270)	12	7/8 (22)	11-3/4 (298)	A5	12-25/32 (324)	12-1/32 (306)	9-1/2 (241)	32-21/32 (829)	1-31/32 (50)
184	14 (356)	28 (711)	15-5/16 (389)	8-1/8 (206)	29-1/2 (749)	9-1/2 (241)	8	7/8 (22)	10-5/8 (270)	12	7/8 (22)	11-3/4 (298)	A5	12-25/32 (324)	12-1/32 (306)	9-1/2 (241)	32-21/32 (829)	1-31/32 (50)
213	14 (356)	28 (711)	19-1/4 (489)	8-1/8 (206)	33-7/16 (849)	9-1/2 (241)	8	7/8 (22)	10-5/8 (270)	12	7/8 (22)	14 (356)	A5	13-17/32 (344)	12-9/16 (319)	9-1/2 (241)	36-1/64 (915)	1-7/16 (37)
													B1	15-53/64 (402)	14-7/32 (361)	9-1/2 (241)	37-39/64 (955)	7/32 (5)
215	14 (356)	28 (711)	19-1/4 (489)	8-2/8 (210)	33-7/16 (849)	9-1/2 (241)	8	7/8 (22)	10-5/8 (270)	12	7/8 (22)	14 (356)	A5	13-17/32 (344)	12-9/16 (319)	9-1/2 (241)	34-35/64 (878)	1-7/16 (37)
													B1	15-53/64 (402)	14-7/32 (361)	9-1/2 (241)	36-5/64 (917)	7/32 (5)
254	14 (356)	28 (711)	24-1/8 (613)	8-1/8 (206)	42-3/16 (1072)	9-1/2 (241)	8	7/8 (22)	10-5/8 (270)	12	7/8 (22)	17 (432)	B2	16-53/64 (427)	14-59/64 (379)	9-1/2 (241)	49-41/64 (1261)	59/64 (23)
256	14 (356)	28 (711)	24-1/8 (613)	8-1/8 (206)	42-3/16 (1072)	9-1/2 (241)	8	7/8 (22)	10-5/8 (270)	12	7/8 (22)	17 (432)	B2	16-53/64 (427)	14-59/64 (379)	9-1/2 (241)	49-1/64 (1245)	59/64 (23)
284	14 (356)	28 (711)	23-5/8 (600)	8-1/8 (206)	41-11/16 (1059)	9-1/2 (241)	8	7/8 (22)	10-5/8 (270)	12	7/8 (22)	16-1/8 (410)	B2	17-37/64 (446)	15-29/64 (392)	9-1/2 (241)	48-25/64 (1229)	1-29/64 (37)
													C1	19-37/64 (497)	17-5/8 (448)	12-3/32 (307)	50-51/64 (1290)	3-5/8 (92)
286	14 (356)	28 (711)	25-1/8 (638)	8-1/8 (206)	43-3/16 (1097)	9-1/2 (241)	8	7/8 (22)	10-5/8 (270)	12	7/8 (22)	16-1/8 (410)	B2	17-37/64 (446)	15-29/64 (392)	9-1/2 (241)	49-57/64 (1267)	1-29/64 (37)
													C1	19-37/64 (497)	17-5/8 (448)	12-3/32 (307)	52-19/64 (1328)	3-5/8 (92)
324	14 (356)	28 (711)	26 (660)	8-1/8 (206)	44-1/16 (1119)	9-1/2 (241)	8	7/8 (22)	10-5/8 (270)	12	7/8 (22)	18-3/4 (476)	B2	18-37/64 (472)	16-5/32 (410)	9-1/2 (241)	49-15/64 (1251)	2-5/32 (55)
													C1	20-37/64 (523)	18-21/64 (465)	12-3/32 (307)	49-37/64 (1259)	4-21/64 (110)
													C2	21-37/64 (548)	19-7/8 (505)	14-19/32 (371)	54-9/64 (1375)	5-7/8 (149)
326	14 (356)	28 (711)	26 (660)	8-1/8 (206)	44-1/16 (1119)	9-1/2 (241)	8	7/8 (22)	10-5/8 (270)	12	7/8 (22)	18-3/4 (476)	C1	20-37/64 (523)	18-21/64 (465)	12-3/32 (307)	49-37/64 (1259)	4-21/64 (110)
													C2	21-37/64 (548)	19-7/8 (505)	14-19/32 (371)	54-9/64 (1375)	5-7/8 (149)

Xylem Inc.
8200 N. Austin Avenue
Morton Grove, IL 60053
Phone: (847)966-3700
Fax: (847)965-8379
www.bellgossett.com

xylem
Let's Solve Water

Bell & Gossett is a trademark of Xylem Inc. or one of its subsidiaries.
© 2013 Xylem Inc.



6X6X7 Series 80[®]

**In-Line Mounted Centrifugal Pumps
With Optional Integrated Technologic[®] featuring Sensorless Control**

STUFFING BOX 80-PF, 80-S, 80-D

MOTOR FRAME	A	B	E (Max)	G	H (Max)	125# ANSI			250# ANSI			R	VFD	Rv	Zv	W	Hv	Xv
						J	N	P	J	N	P							
182	14 (356)	28 (711)	15-5/16 (389)	8-1/8 (206)	32-11/16 (830)	9-1/2 (241)	8	7/8 (22)	10-5/8 (270)	12	7/8 (22)	11-3/4 (298)	A5	12-25/32 (324)	12-1/32 (306)	9-1/2 (241)	35-27/32 (910)	1-31/32 (50)
184	14 (356)	28 (711)	15-5/16 (389)	8-1/8 (206)	32-11/16 (830)	9-1/2 (241)	8	7/8 (22)	10-5/8 (270)	12	7/8 (22)	11-3/4 (298)	A5	12-25/32 (324)	12-1/32 (306)	9-1/2 (241)	35-27/32 (910)	1-31/32 (50)
213	14 (356)	28 (711)	19-1/4 (489)	8-1/8 (206)	37-5/16 (948)	9-1/2 (241)	8	7/8 (22)	10-5/8 (270)	12	7/8 (22)	14 (356)	A5	13-17/32 (344)	12-9/16 (319)	9-1/2 (241)	39-57/64 (1013)	1-7/16 (37)
													B1	15-53/64 (402)	14-7/32 (361)	9-1/2 (241)	41-31/64 (1054)	7/32 (5)
215	14 (356)	28 (711)	19-1/4 (489)	8-1/8 (206)	37-5/16 (948)	9-1/2 (241)	8	7/8 (22)	10-5/8 (270)	12	7/8 (22)	14 (356)	A5	13-17/32 (344)	12-9/16 (319)	9-1/2 (241)	38-27/64 (976)	1-7/16 (37)
													B1	15-53/64 (402)	14-7/32 (361)	9-1/2 (241)	39-61/64 (1015)	7/32 (5)
254	14 (356)	28 (711)	24-1/8 (613)	8-1/8 (206)	42-3/16 (1072)	9-1/2 (241)	8	7/8 (22)	10-5/8 (270)	12	7/8 (22)	17 (432)	B2	16-53/64 (427)	14-59/64 (379)	9-1/2 (241)	49-41/64 (1261)	59/64 (23)
256	14 (356)	28 (711)	24-1/8 (613)	8-1/8 (206)	42-3/16 (1072)	9-1/2 (241)	8	7/8 (22)	10-5/8 (270)	12	7/8 (22)	17 (432)	B2	16-53/64 (427)	14-59/64 (379)	9-1/2 (241)	49-1/64 (1245)	59/64 (23)
284	14 (356)	28 (711)	23-5/8 (600)	8-1/8 (206)	41-11/16 (1059)	9-1/2 (241)	8	7/8 (22)	10-5/8 (270)	12	7/8 (22)	16-1/8 (410)	B2	17-37/64 (446)	15-29/64 (392)	9-1/2 (241)	48-25/64 (1229)	1-29/64 (37)
													C1	19-37/64 (497)	17-5/8 (448)	12-3/32 (307)	50-51/64 (1290)	3-5/8 (92)
286	14 (356)	28 (711)	25-1/8 (638)	8-1/8 (206)	43-3/16 (1097)	9-1/2 (241)	8	7/8 (22)	10-5/8 (270)	12	7/8 (22)	16-1/8 (410)	B2	17-37/64 (446)	15-29/64 (392)	9-1/2 (241)	49-57/64 (1267)	1-29/64 (37)
													C1	19-37/64 (497)	17-5/8 (448)	12-3/32 (307)	52-19/64 (1328)	3-5/8 (92)
324	14 (356)	28 (711)	26 (660)	8-1/8 (206)	44-1/16 (1119)	9-1/2 (241)	8	7/8 (22)	10-5/8 (270)	12	7/8 (22)	18-3/4 (476)	B2	18-37/64 (472)	16-5/32 (410)	9-1/2 (241)	49-15/64 (1251)	2-5/32 (55)
													C1	20-37/64 (523)	18-21/64 (465)	12-3/32 (307)	49-37/64 (1259)	4-21/64 (110)
													C2	21-37/64 (548)	19-7/8 (505)	14-19/32 (371)	54-9/64 (1375)	5-7/8 (149)
326	14 (356)	28 (711)	26 (660)	8-1/8 (206)	44-1/16 (1119)	9-1/2 (241)	8	7/8 (22)	10-5/8 (270)	12	7/8 (22)	18-3/4 (476)	C1	20-37/64 (523)	18-21/64 (465)	12-3/32 (307)	49-37/64 (1259)	4-21/64 (110)
													C2	21-37/64 (548)	19-7/8 (505)	14-19/32 (371)	54-9/64 (1375)	5-7/8 (149)

Xylem Inc.
8200 N. Austin Avenue
Morton Grove, IL 60053
Phone: (847)966-3700
Fax: (847)965-8379
www.bellgossett.com

xylem
Let's Solve Water

Bell & Gossett is a trademark of Xylem Inc. or one of its subsidiaries.
© 2012 Xylem Inc.