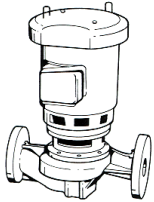


| | | |
|---|--|--|
| JOB: UNIT TAG: ENGINEER: CONTRACTOR: | REPRESENTATIVE: ORDER NO.: SUBMITTED BY: APPROVED BY: | DATE: DATE: DATE: |
|---|--|--|



6x6x11

Series 80[®]

In-Line Mounted Centrifugal Pumps

SPECIFICATIONS

FLOW _____ HEAD _____

HP _____ RPM _____

VOLTS _____

CYCLE _____ PHASE _____

ENCLOSURE _____

APPROX. WEIGHT _____

SPECIALS _____

MATERIALS OF CONSTRUCTION

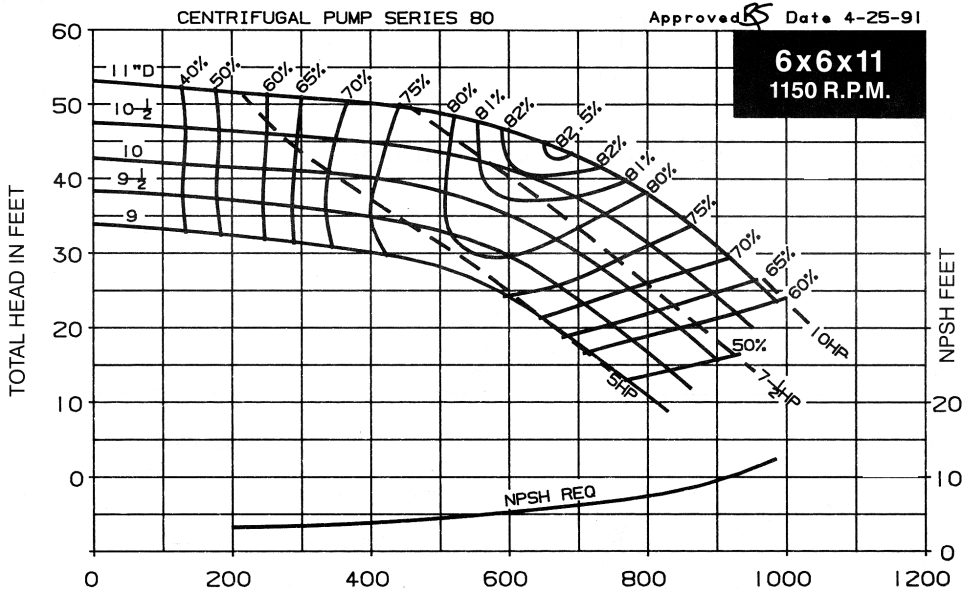
- BRONZE FITTED ALL IRON

MAXIMUM WORKING PRESSURE

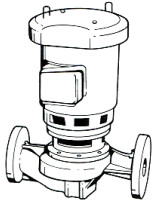
- 175 psi (12 bar) W.P. with 125# ANSI flange drilling
- 250 psi (17 bar) W.P. with 250# ANSI flange drilling (requires 80-S)
- 300 psi (21 bar) W.P. with 250# ANSI flange drilling (EPR-Sintered Silicon Carbide-Sintered Silicon Carbide) Requires 80-S

TYPE OF SEAL

- 80 Standard Seal (Buna-Carbon/Ceramic)
- 80 -F Standard Seal w/ Flush Line (Buna-Carbon/Ceramic)
- 80 -S Stuffing Box construction w/ Flushed Mechanical Single Seal (EPR-Tungsten Carbide/Carbon)
- 80 -D Stuffing Box construction w/ Flushed Double Mechanical Seal (EPR-Carbon/Ceramic) Requires external water source
- 80 -PF Stuffing Box Construction w/ Flushed Packing (Graphite Impregnated PTFE)



| | | |
|-------------|-----------------|-------|
| JOB: | REPRESENTATIVE: | |
| UNIT TAG: | ORDER NO. | DATE: |
| ENGINEER: | SUBMITTED BY: | DATE: |
| CONTRACTOR: | APPROVED BY: | DATE: |



6x6x11 Series 80[®] In-Line Mounted Centrifugal Pumps

SPECIFICATIONS

FLOW _____ HEAD _____
 HP _____ RPM _____
 VOLTS _____
 CYCLE _____ PHASE _____
 ENCLOSURE _____
 APPROX. WEIGHT _____
 SPECIALS _____

MATERIALS OF CONSTRUCTION

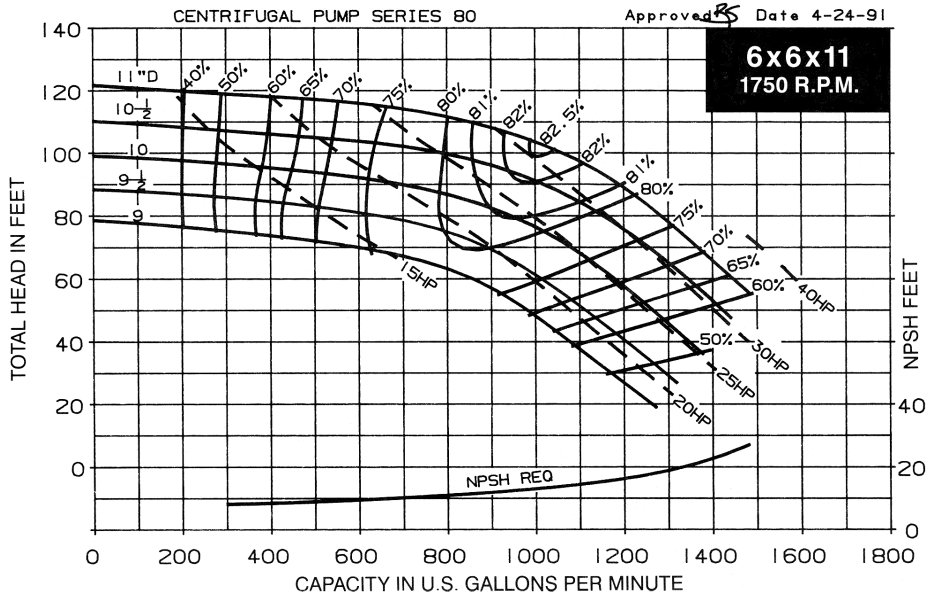
- BRONZE FITTED ALL IRON

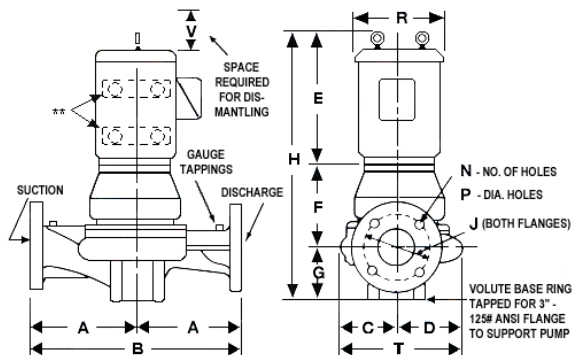
MAXIMUM WORKING PRESSURE

- 175 psi (12 bar) W.P. with 125# ANSI flange drilling
 250 psi (17 bar) W.P. with 250# ANSI flange drilling (requires 80-S)
 300 psi (21 bar) W.P. with 250# ANSI flange drilling (EPR-Sintered Silicon Carbide-Sintered Silicon Carbide) Requires 80-S

TYPE OF SEAL

- 80 Standard Seal (Buna-Carbon/Ceramic)
 80 -F Standard Seal w/ Flush Line (Buna-Carbon/Ceramic)
 80 -S Stuffing Box construction w/ Flushed Mechanical Single Seal (EPR-Tungsten Carbide/Carbon)
 80 -D Stuffing Box construction w/ Flushed Double Mechanical Seal (EPR-Carbon/Ceramic) Requires external water source
 80 -PF Stuffing Box Construction w/ Flushed Packing (Graphite Impregnated PTFE)





| FLANGE DIMENSIONS IN INCHES (MM) | | | |
|----------------------------------|------|-------------|--------------|
| | SIZE | THICKNESS | O.D. |
| Discharge | 6" | 1-7/16 (37) | 12-1/8 (308) |
| Suction | 6" | 1-7/16 (37) | 12-1/8 (308) |

FLANGES ARE 125# ANSI - STANDARD
250# ANSI - AVAILABLE

** Motor may be supplied with feet

DIMENSIONS - Inches (mm)

STANDARD SEAL 80, 80-F

| MOTOR FRAME | A | B | C | D | E (Max) | F | G | H (Max) | 125# ANSI | | | 250# ANSI | | | R | S (Max)* | T | V (Min) |
|-------------|----------|----------|-------------|-------------|--------------|---------------|-------------|-----------------|-------------|---------|----------|--------------|----------|----------|--------------|-------------|--------------|---------------|
| | | | | | | | | | J | N | P | J | N | P | | | | |
| 213 | 16 (406) | 32 (813) | 8-3/8 (213) | 9-3/4 (248) | 19-1/4 (489) | - | 8-3/4 (222) | - | 9-1/2 (241) | 8 (203) | 7/8 (22) | 10-5/8 (270) | 12 (305) | 7/8 (22) | 14 (356) | - | 18-1/8 (460) | 5-15/16 (151) |
| 215 | 16 (406) | 32 (813) | 8-3/8 (213) | 9-3/4 (248) | 19-1/4 (489) | - | 8-3/4 (222) | - | 9-1/2 (241) | 8 (203) | 7/8 (22) | 10-5/8 (270) | 12 (305) | 7/8 (22) | 14 (356) | - | 18-1/8 (460) | 5-15/16 (151) |
| 254 | 16 (406) | 32 (813) | 8-3/8 (213) | 9-3/4 (248) | 24-1/8 (613) | 7-13/16 (198) | 8-3/4 (222) | 40-11/16 (1033) | 9-1/2 (241) | 8 (203) | 7/8 (22) | 10-5/8 (270) | 12 (305) | 7/8 (22) | 17 (432) | - | 18-1/8 (460) | 5-15/16 (151) |
| 256 | 16 (406) | 32 (813) | 8-3/8 (213) | 9-3/4 (248) | 24-1/8 (613) | 7-13/16 (198) | 8-3/4 (222) | 40-11/16 (1033) | 9-1/2 (241) | 8 (203) | 7/8 (22) | 10-5/8 (270) | 12 (305) | 7/8 (22) | 17 (432) | - | 18-1/8 (460) | 5-15/16 (151) |
| 284 | 16 (406) | 32 (813) | 8-3/8 (213) | 9-3/4 (248) | 23-5/8 (600) | 7-13/16 (198) | 8-3/4 (222) | 40-3/16 (1021) | 9-1/2 (241) | 8 (203) | 7/8 (22) | 10-5/8 (270) | 12 (305) | 7/8 (22) | 16-1/8 (410) | 4-5/8 (117) | 18-1/8 (460) | 5-15/16 (151) |
| 286 | 16 (406) | 32 (813) | 8-3/8 (213) | 9-3/4 (248) | 25-1/8 (638) | 7-13/16 (198) | 8-3/4 (222) | 41-11/16 (1059) | 9-1/2 (241) | 8 (203) | 7/8 (22) | 10-5/8 (270) | 12 (305) | 7/8 (22) | 16-1/8 (410) | 4-5/8 (117) | 18-1/8 (460) | 5-15/16 (151) |
| 324 | 16 (406) | 32 (813) | 8-3/8 (213) | 9-3/4 (248) | 26 (660) | 7-13/16 (198) | 8-3/4 (222) | 42-9/16 (1081) | 9-1/2 (241) | 8 (203) | 7/8 (22) | 10-5/8 (270) | 12 (305) | 7/8 (22) | 18-3/4 (476) | 4-5/8 (117) | 18-1/8 (460) | 5-15/16 (151) |

STUFFING BOX 80-PF, 80-S, 80-D

| MOTOR FRAME | A | B | C | D | E (Max) | F | G | H (Max) | 125# ANSI | | | 250# ANSI | | | R | S (Max)* | T | V (Min) |
|-------------|----------|----------|-------------|-------------|--------------|---------------|-------------|-----------------|-------------|---------|----------|--------------|----------|----------|--------------|-------------|--------------|---------------|
| | | | | | | | | | J | N | P | J | N | P | | | | |
| 213 | 16 (406) | 32 (813) | 8-3/8 (213) | 9-3/4 (248) | 19-1/4 (489) | 7-9/16 (192) | 8-3/4 (222) | 35-9/16 (903) | 9-1/2 (241) | 8 (203) | 7/8 (22) | 10-5/8 (270) | 12 (305) | 7/8 (22) | 14 (356) | - | 18-1/8 (460) | 5-15/16 (151) |
| 215 | 16 (406) | 32 (813) | 8-3/8 (213) | 9-3/4 (248) | 19-1/4 (489) | 7-9/16 (192) | 8-3/4 (222) | 35-9/16 (903) | 9-1/2 (241) | 8 (203) | 7/8 (22) | 10-5/8 (270) | 12 (305) | 7/8 (22) | 14 (356) | - | 18-1/8 (460) | 5-15/16 (151) |
| 254 | 16 (406) | 32 (813) | 8-3/8 (213) | 9-3/4 (248) | 24-1/8 (613) | 7-13/16 (198) | 8-3/4 (222) | 40-11/16 (1033) | 9-1/2 (241) | 8 (203) | 7/8 (22) | 10-5/8 (270) | 12 (305) | 7/8 (22) | 17 (432) | - | 18-1/8 (460) | 5-15/16 (151) |
| 256 | 16 (406) | 32 (813) | 8-3/8 (213) | 9-3/4 (248) | 21-1/8 (537) | 7-13/16 (198) | 8-3/4 (222) | 40-11/16 (1033) | 9-1/2 (241) | 8 (203) | 7/8 (22) | 10-5/8 (270) | 12 (305) | 7/8 (22) | 17 (432) | - | 18-1/8 (460) | 5-15/16 (151) |
| 284 | 16 (406) | 32 (813) | 8-3/8 (213) | 9-3/4 (248) | 23-5/8 (600) | 7-13/16 (198) | 8-3/4 (222) | 40-3/16 (1021) | 9-1/2 (241) | 8 (203) | 7/8 (22) | 10-5/8 (270) | 12 (305) | 7/8 (22) | 16-1/8 (410) | 4-5/8 (117) | 18-1/8 (460) | 5-15/16 (151) |
| 286 | 16 (406) | 32 (813) | 8-3/8 (213) | 9-3/4 (248) | 25-1/8 (638) | 7-13/16 (198) | 8-3/4 (222) | 41-11/16 (1059) | 9-1/2 (241) | 8 (203) | 7/8 (22) | 10-5/8 (270) | 12 (305) | 7/8 (22) | 16-1/8 (410) | 4-5/8 (117) | 18-1/8 (460) | 5-15/16 (151) |
| 324 | 16 (406) | 32 (813) | 8-3/8 (213) | 9-3/4 (248) | 26 (660) | 7-13/16 (198) | 8-3/4 (222) | 42-9/16 (1081) | 9-1/2 (241) | 8 (203) | 7/8 (22) | 10-5/8 (270) | 12 (305) | 7/8 (22) | 18-3/4 (476) | 4-5/8 (117) | 18-1/8 (460) | 5-15/16 (151) |

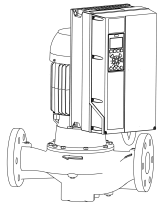
Dimensions are subject to change. Not to be used for construction purposes unless certified.

NOTE: For 1 phase Motors add 1" to dimensions E & H.

*For TEFC Motors add S dimension to dimensions E& H.

Xylem Inc.
8200 N. Austin Avenue
Morton Grove, IL 60053
Phone: (847)966-3700
Fax: (847)965-8379
www.bellgossett.com

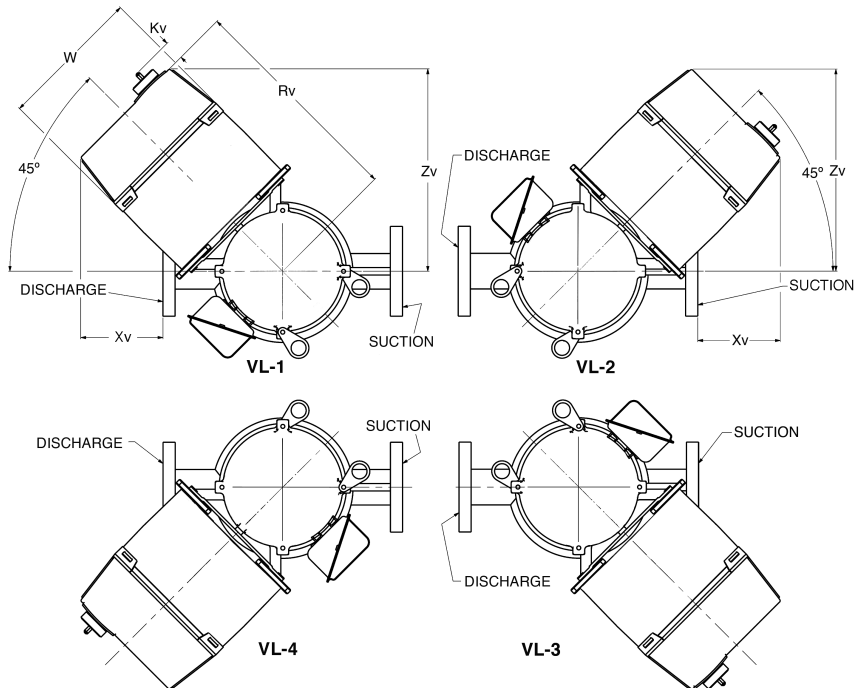
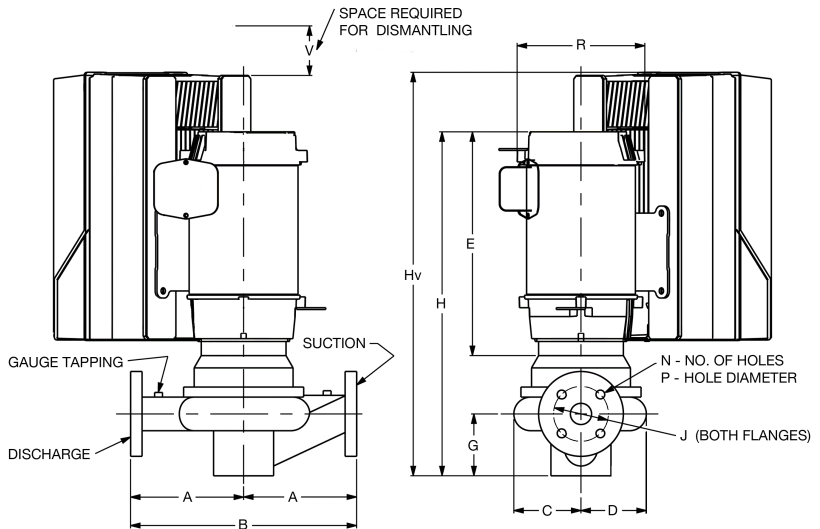




6x6x11 Series 80[®]

In-Line Mounted Centrifugal Pumps
With Optional Integrated Technologic[®] featuring Sensorless Control

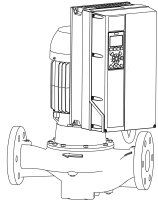
| TECHNOLOGIC STANDARD FEATURES | |
|-------------------------------|---|
| CONTROL METHOD | Constant Pressure, Linear Control Curve, Quadratic Control Curve Factory configured for sensorless operation standard. Field configurable for use with a wired transducer. |
| ENCLOSURE | IP55 / NEMA 12 / UL type 12 |
| POWER DISCONNECT SWITCH | Included standard. Fused Disconnect Switch optional. |
| EMI/RFI CONTROL | Integrated filter to meet EN62800-3. |
| HARMONIC SUPPRESSION | Integrated non-saturating dual DC link reactors provide better harmonic performance than a 5% AC line reactor. |
| COOLING | Fan-cooled through temperature controlled and easy replacement. |
| AMBIENT TEMPERATURE RATING | 14°F to 113°F (-10°C to 45°C) |
| COMMUNICATION PROTOCOLS | BACnet, Modbus RTU, N2 Metasys, FLN Apogee |
| ANALOG INPUTS | 2 configurable for either voltage (0 to 10VDC) or current(0/4 to 20mA) |
| ANALOG OUTPUTS | 1 (0/4 to 20mA) up to 500 ohm load accurate to 1% of full scale |
| DIGITAL INPUTS | 4 (0 to 24VDC), NPN or PNP, 0 to 24VDC, on 5 msec scan interval, Up to 2 can be configured as pulse inputs. |
| DIGITAL OUTPUTS | 2 (0 to 24VDC), 40mA max current, configurable as pulse outputs. |
| RELAY OUTPUTS | 2 programmable, 240VAC or 400VAC up to 2 A |



Xylem Inc.
8200 N. Austin Avenue
Morton Grove, IL 60053
Phone: (847)966-3700
Fax: (847)965-8379
www.bellgossett.com



Bell & Gossett is a trademark of Xylem Inc. or one of its subsidiaries.
© 2013 Xylem Inc.



6x6x11 Series 80[®]

In-Line Mounted Centrifugal Pumps
With Optional Integrated Technologic[®] featuring Sensorless Control

DIMENSIONS – Inches (mm)

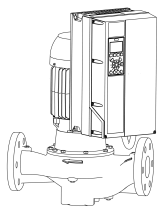
STANDARD SEAL 80, 80-F

| MOTOR FRAME | A | B | E (Max) | G | H (Max) | 125# ANSI | | | 250# ANSI | | | R | VFD | Rv | Zv | W | Hv | Xv |
|-------------|-------------|-------------|-----------------|----------------|--------------------|----------------|------------|-------------|-----------------|-------------|-------------|-----------------|-----|-------------------|-------------------|------------------|--------------------|-----------------|
| | | | | | | J | N | P | J | N | P | | | | | | | |
| 213 | 16 (406) | 32 (813) | 19-1/4 (489) | 8-3/4 (222) | - | 9-1/2 (241) | 8 (203) | 7/8 (22) | 10-5/8 (270) | 12 (305) | 7/8 (22) | 14 (356) | A5 | 13-17/32 (344) | 12-9/16 (319) | 9-1/2 (241) | 2-37/64 (66) | 3-7/16 (87) |
| 215 | 16 (406) | 32 (813) | 19-1/4 (489) | 8-3/4 (222) | - | 9-1/2 (241) | 8 (203) | 7/8 (22) | 10-5/8 (270) | 12 (305) | 7/8 (22) | 14 (356) | A5 | 13-17/32 (344) | 12-9/16 (319) | 9-1/2 (241) | 1-7/64 (28) | 3-7/16 (87) |
| 254 | 16 (406) | 32 (813) | 24-1/8 (613) | 8-3/4 (222) | 40-11/16 (1033) | 9-1/2 (241) | 8 (203) | 7/8 (22) | 10-5/8 (270) | 12 (305) | 7/8 (22) | 17 (432) | A5 | 14-17/32 (369) | 13-17/64 (337) | 9-1/2 (241) | 40-11/16 (1033) | 2-47/64 (69) |
| | | | | | | | | | | | | | B1 | 16-53/64 (427) | 14-59/64 (379) | 9-1/2 (241) | 43-11/16 (1109) | 1-5/64 (27) |
| 256 | 16 (406) | 32 (813) | 24-1/8 (613) | 8-3/4 (222) | 40-11/16 (1033) | 9-1/2 (241) | 8 (203) | 7/8 (22) | 10-5/8 (270) | 12 (305) | 7/8 (22) | 17 (432) | A5 | 14-17/32 (369) | 13-17/64 (337) | 9-1/2 (241) | 40-11/16 (1033) | 2-47/64 (69) |
| | | | | | | | | | | | | | B1 | 16-53/64 (427) | 14-59/64 (379) | 9-1/2 (241) | 43-1/16 (1094) | 1-5/64 (27) |
| | | | | | | | | | | | | | B2 | 16-53/64 (427) | 14-59/64 (379) | 9-1/2 (241) | 47-33/64 (1207) | 1-5/64 (27) |
| 284 | 16 (406) | 32 (813) | 23-5/8 (600) | 8-3/4 (222) | 40-3/16 (1021) | 9-1/2 (241) | 8 (203) | 7/8 (22) | 10-5/8 (270) | 12 (305) | 7/8 (22) | 16-1/8 (410) | B1 | 17-37/64 (446) | 15-29/64 (392) | 9-1/2 (241) | 42-7/16 (1078) | 35/64 (14) |
| | | | | | | | | | | | | | C1 | 19-37/64 (497) | 17-5/8 (448) | 12-3/32 (307) | 49-19/64 (1252) | 1-5/8 (41) |
| 286 | 16 (406) | 32 (813) | 25-1/8 (638) | 8-3/4 (222) | 41-11/16 (1059) | 9-1/2 (241) | 8 (203) | 7/8 (22) | 10-5/8 (270) | 12 (305) | 7/8 (22) | 16-1/8 (410) | B2 | 17-37/64 (446) | 15-29/64 (392) | 9-1/2 (241) | 48-25/64 (1229) | 35/64 (14) |
| | | | | | | | | | | | | | C1 | 19-37/64 (497) | 17-5/8 (448) | 12-3/32 (307) | 50-51/64 (1290) | 1-5/8 (41) |
| 324 | 16 (406) | 32 (813) | 26 (660) | 8-3/4 (222) | 42-9/16 (1081) | 9-1/2 (241) | 8 (203) | 7/8 (22) | 10-5/8 (270) | 12 (305) | 7/8 (22) | 18-3/4 (476) | B2 | 18-37/64 (472) | 16-5/32 (410) | 9-1/2 (241) | 47-47/64 (1213) | 5/32 (4) |
| | | | | | | | | | | | | | C1 | 20-37/64 (523) | 18-21/64 (465) | 12-3/32 (307) | 48-5/64 (1221) | 2-21/64 (59) |

Xylem Inc.
8200 N. Austin Avenue
Morton Grove, IL 60053
Phone: (847)966-3700
Fax: (847)965-8379
www.bellgossett.com

xylem
Let's Solve Water

Bell & Gossett is a trademark of Xylem Inc. or one of its subsidiaries.
© 2013 Xylem Inc.



6X6X11 Series 80[®]

**In-Line Mounted Centrifugal Pumps
With Optional Integrated Technologic[®] featuring Sensorless Control**

STUFFING BOX 80-PF, 80-S, 80-D

| MOTOR FRAME | A | B | E (Max) | G | H (Max) | 125# ANSI | | | 250# ANSI | | | R | VFD | Rv | Zv | W | Hv | Xv |
|-------------|-------------|-------------|-----------------|----------------|--------------------|----------------|------------|-------------|-----------------|-------------|-------------|-----------------|-----|-------------------|-------------------|------------------|--------------------|-----------------|
| | | | | | | J | N | P | J | N | P | | | | | | | |
| 213 | 16 (406) | 32 (813) | 19-1/4 (489) | 8-3/4 (222) | 35-9/16 (903) | 9-1/2 (241) | 8 (203) | 7/8 (22) | 10-5/8 (270) | 12 (305) | 7/8 (22) | 14 (356) | A5 | 13-17/32 (344) | 12-9/16 (319) | 9-1/2 (241) | 38-9/64 (969) | 3-7/16 (87) |
| 215 | 16 (406) | 32 (813) | 19-1/4 (489) | 8-3/4 (222) | 35-9/16 (903) | 9-1/2 (241) | 8 (203) | 7/8 (22) | 10-5/8 (270) | 12 (305) | 7/8 (22) | 14 (356) | A5 | 13-17/32 (344) | 12-9/16 (319) | 9-1/2 (241) | 36-43/64 (932) | 3-7/16 (87) |
| 254 | 16 (406) | 32 (813) | 24-1/8 (613) | 8-3/4 (222) | 40-11/16 (1033) | 9-1/2 (241) | 8 (203) | 7/8 (22) | 10-5/8 (270) | 12 (305) | 7/8 (22) | 17 (432) | A5 | 14-17/32 (369) | 13-17/64 (337) | 9-1/2 (241) | 40-11/16 (1033) | 2-47/64 (69) |
| | | | | | | | | | | | | | B1 | 16-53/64 (427) | 14-59/64 (379) | 9-1/2 (241) | 43-11/16 (1109) | 1-5/64 (27) |
| 256 | 16 (406) | 32 (813) | 21-1/8 (537) | 8-3/4 (222) | 40-11/16 (1033) | 9-1/2 (241) | 8 (203) | 7/8 (22) | 10-5/8 (270) | 12 (305) | 7/8 (22) | 17 (432) | A5 | 14-17/32 (369) | 13-17/64 (337) | 9-1/2 (241) | 40-11/16 (1033) | 2-47/64 (69) |
| | | | | | | | | | | | | | B1 | 16-53/64 (427) | 14-59/64 (379) | 9-1/2 (241) | 43-1/16 (1094) | 1-5/64 (27) |
| | | | | | | | | | | | | | B2 | 16-53/64 (427) | 14-59/64 (379) | 9-1/2 (241) | 47-33/64 (1207) | 1-5/64 (27) |
| 284 | 16 (406) | 32 (813) | 23-5/8 (600) | 8-3/4 (222) | 40-3/16 (1021) | 9-1/2 (241) | 8 (203) | 7/8 (22) | 10-5/8 (270) | 12 (305) | 7/8 (22) | 16-1/8 (410) | B1 | 17-37/64 (446) | 15-29/64 (392) | 9-1/2 (241) | 42-7/16 (1078) | 35/64 (14) |
| | | | | | | | | | | | | | C1 | 19-37/64 (497) | 17-5/8 (448) | 12-3/32 (307) | 49-19/64 (1252) | 1-5/8 (41) |
| 286 | 16 (406) | 32 (813) | 25-1/8 (638) | 8-3/4 (222) | 41-11/16 (1059) | 9-1/2 (241) | 8 (203) | 7/8 (22) | 10-5/8 (270) | 12 (305) | 7/8 (22) | 16-1/8 (410) | B2 | 17-37/64 (446) | 15-29/64 (392) | 9-1/2 (241) | 48-25/64 (1229) | 35/64 (14) |
| | | | | | | | | | | | | | C1 | 19-37/64 (497) | 17-5/8 (448) | 12-3/32 (307) | 50-51/64 (1290) | 1-5/8 (41) |
| 324 | 16 (406) | 32 (813) | 26 (660) | 8-3/4 (222) | 42-9/16 (1081) | 9-1/2 (241) | 8 (203) | 7/8 (22) | 10-5/8 (270) | 12 (305) | 7/8 (22) | 18-3/4 (476) | B2 | 18-37/64 (472) | 16-5/32 (410) | 9-1/2 (241) | 47-47/64 (1213) | 5/32 (4) |
| | | | | | | | | | | | | | C1 | 20-37/64 (523) | 18-21/64 (465) | 12-3/32 (307) | 48-5/64 (1221) | 2-21/64 (59) |

Xylem Inc.
8200 N. Austin Avenue
Morton Grove, IL 60053
Phone: (847)966-3700
Fax: (847)965-8379
www.bellgossett.com

xylem
Let's Solve Water

Bell & Gossett is a trademark of Xylem Inc. or one of its subsidiaries.
© 2012 Xylem Inc.