

BERKELEY® 6TMH SERIES

450 GPM, 60HZ, NPT, 8" MOTORS

Section	ST-6TMH
Page	1.0
Date	March 1, 2016
Supersedes	New

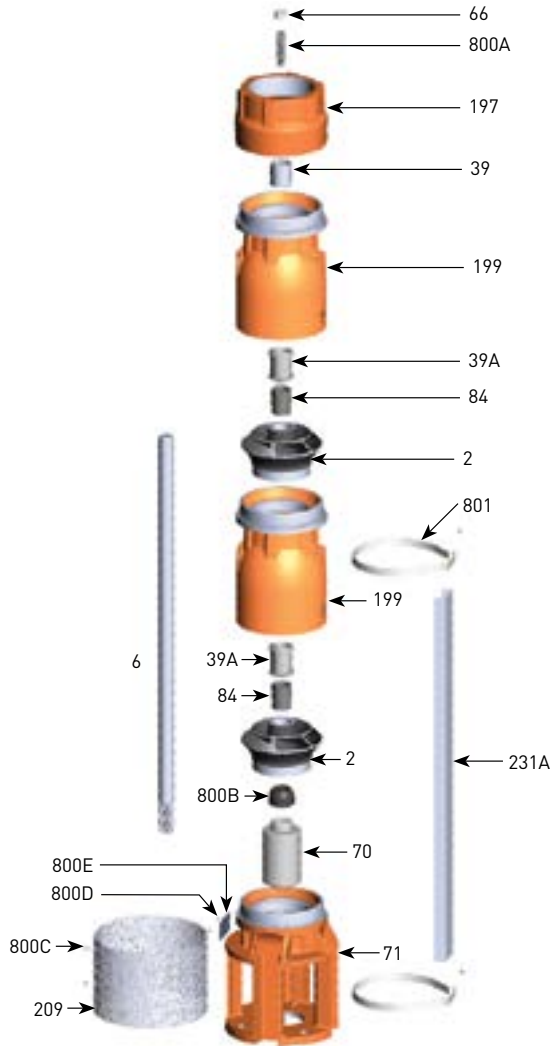


TABLE 1 - 6TMH-450 Common Parts Group

Item Number	Part Number	Description	Required Qty
2	See Table 3	Impeller	1 Per Stage
6	See Table 4	Shaft	1
39	M15886	Vesconite® Bearing	1
39A	S13636	Neoprene Bearing	1 Per Stage
66	M15881	Upthrust Nut, 1/2-13 LH	1
70	B86655	8" Motor Coupling	1
71	M16428	6TMH 8" Motor Suction Bracket	1
84	S05301	1" Collet	1 Per Stage
199	B86170	6TMH-450 Bowl (incl. Neoprene Bearing)	1 Per Stage
197	M15868	6TMH Discharge, 4" NPT	1
209	M16429	Suction Screen	1
231A	M10252	Cable Guard, 8' material	1
800A	M15882	Upthrust Screw, 1/2-13 LH	1
800B	M15874	Sand Boot	1
800C	M15937	Screen Screw, 8-32 x 3/8 Panhead	2
800D	M10199	Rivet, 3/32	2
800E	M09653	Nameplate	1
801	M15879	6TMH Cable Guard Clamp	2
Not Illustrated	M09970	Tag, Upthrust Adjustment	1
Not Illustrated	B86187	Bolt Kit, 6" Motor	1
Not Illustrated	BE972	Owner's Manual	1

Note 1: B86185 includes items 39, 66, 197, 800A

TABLE 2 - Additional Staging

Item Number	Part Number	Description	Required Qty
39A	S13636	Neoprene Bearing	1 Per Stage
	S10708	Bronze Bearing	
199	B86170	6TMH-450 Bowl (incl. Neoprene Bearing)	1 Per Stage
84	S05301	1" Collet	1 Per Stage
2	See Table 3	Impeller	1 Per Stage

Note 2: Bronze bearing may be used in place of the standard Neoprene Bearing.

TABLE 3

Item Number	Part Number	Description	Required Qty
2	M15864	6TMH-450 "A" Impeller 5.250"	See Table 4
2	M15865	6TMH-450 "B" Impeller 4.850"	

TABLE 4 - 60 Hz Staging Requirements Build Table

Series	HP/kW	Stages	Trim			416 SS shaft		Ion-nitride shaft		Shaft Length (in/mm)	Cable Guard Length ⁴	Assembled pump length (motor not included)
			"A"	"B"	"C"	Pump catalog number	416 SS Shaft p/n	Pump catalog number	Ion Nitride Shaft p/n			
6TMH40-450	40/29.8	5	5			B86782	M16007	B86782N	M16019	42.75 in/1086 mm	40.50 in/1029 mm	49.33 in/1253 mm
6TMH50-450	50/37.3	6	6			B86783	M16008	B86783N	M16020	50.25 in/1277 mm	48.00 in/1219 mm	56.83 in/1444 mm
6TMH60-450	60/44.7	8	6	2		B86784	M16496	B86784N	M16531	65.25 in/1658 mm	64.15 in/1630 mm	71.83 in/1825 mm
6TMH75-450	75/55.9	10	8	2		B86785	M16102	B86785N	M16135	80.25 in/2039 mm	78.00 in/1982 mm	86.83 in/2206 mm
6TMH100-450	100/74.6	13	11	2		B86786	M16500	B86786N	M16534	102.75 in/2610 mm	100.50 in/2553 mm	109.33 in/2777 mm

Note 3: Effective assembled pump diameter with cable guard lying flat against pump is 8.25 inches

Note 4: Cable guard M10252 sold in 8' (2.43M) lengths only

