

# BERKELEY® 6TMH SERIES

## 200 GPM, 60HZ, NPT, 8" MOTORS

Section	ST-6TMH
Page	1.0
Date	March 1, 2016
Supersedes	New

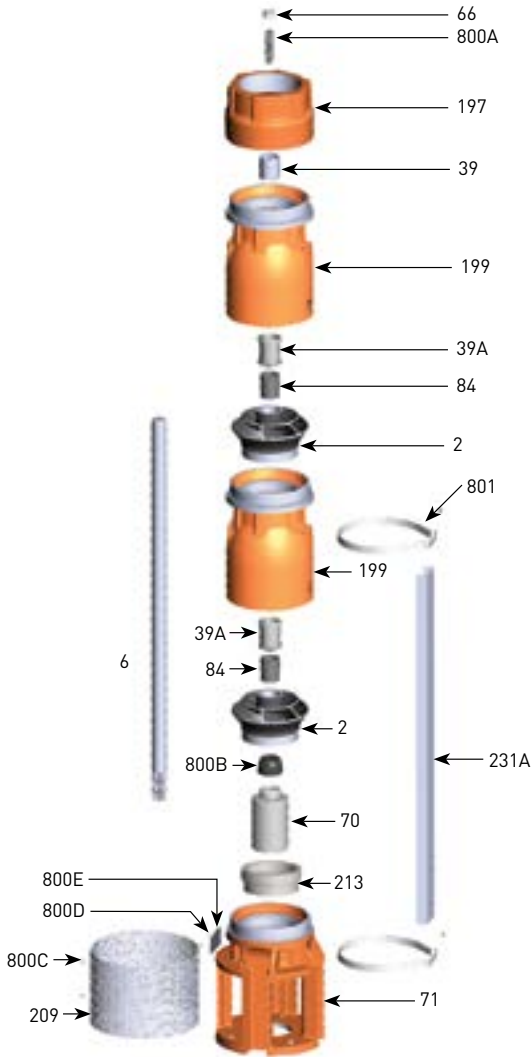


TABLE 1 - 6TMH-200 Common Parts Group

Item Number	Part Number	Description	Required Qty
2	See Table 3	Impeller	1 Per Stage
6	See Table 4	Shaft	1
39	M15886	Vesconite® Bearing	1
39A	S13636	Neoprene Bearing	1 Per Stage
66	M15881	Upthrust Nut, 1/2-13 LH	1
70	B86655	8" Motor Coupling	1
71	M16428	6TMH 8" Motor Suction Bracket	1
84	S05301	1" Collet	1 Per Stage
199	B86168	6TMH-200 Bowl (incl. Neoprene Bearing)	1 Per Stage
197	M15868	6TMH Discharge, 4" NPT	1
209	M16429	Suction Screen	1
213	M15876	Intake Adapter Insert	1
231A	M10252	Cable Guard, 8' material	1
800A	M15882	Upthrust Screw, 1/2-13 LH	1
800B	M15874	Sand Boot	1
800C	M15937	Screen Screw, 8-32 x 3/8 Panhead	2
800D	M10199	Rivet, 3/32	2
800E	M09653	Nameplate	1
801	M15879	6TMH Cable Guard Clamp	2
Not Illustrated	M09970	Tag, Upthrust Adjustment	1
Not Illustrated	B86187	Bolt Kit, 6" Motor	1
Not Illustrated	BE972	Owner's Manual	1

Note 1: B86185 includes items 39, 66, 197, 800A  
 Note 2: B86657 Includes 71, 213

TABLE 2 - Additional Staging

Item Number	Part Number	Description	Required Qty
39A	S13636	Neoprene Bearing	1 Per Stage
	S10708	Bronze Bearing	
199	B86168	6TMH-200 Bowl (incl. Neoprene Bearing)	1 Per Stage
84	S05301	1" Collet	1 Per Stage
2	See Table 3	Impeller	1 Per Stage

Note 3: Bronze bearing may be used in place of the standard Neoprene Bearing.

TABLE 3

Item Number	Part Number	Description	Required Qty
2	M15856	6TMH-200 "A" Impeller 4.750"	See Table 4
2	M15857	6TMH-200 "B" Impeller 4.450"	

TABLE 4 - 60 Hz Staging Requirements Build Table

Series	HP/kW	Stages	Trim			416 SS shaft		Ion-nitride shaft		Shaft Length (in/mm)	Cable Guard Length <sup>1</sup>	Assembled pump length (motor not included)
			"A"	"B"	"C"	Pump catalog number	416 SS Shaft p/n	Pump catalog number	Ion Nitride Shaft p/n			
6TMH40-200	40/29.8	8	7	1		B86764	M16099	B86764N	M16132	55.25 in/1404 mm	53 in/1347 mm	61.82 in/1571 mm
6TMH50-200	50/37.3	10	9	1		B86765	M16101	B86765N	M16134	67.75 in/1721 mm	65.5 in/1664 mm	74.32 in/1888 mm
6TMH60-200	60/44.7	12	11	1		B86766	M16102	B86766N	M16135	80.25 in/2039 mm	78 in/1982 mm	86.82 in/2206 mm
6TMH75-200	75/55.9	15	14	1		B86767	M16497	B86767N	M16250	99 in/2515 mm	96.75 in/2458 mm	105.57 in/2682 mm
6TMH100-200	100/74.6	19	18	1		B86768	M16504	B86768N	M16538	124 in/3150 mm	121.75 in/3093 mm	130.57 in/3317 mm

Note 4: Effective assembled pump diameter with cable guard lying flat against pump is 8.25 inches

Note 5: Cable guard M10252 sold in 8' (2.43M) lengths only

