



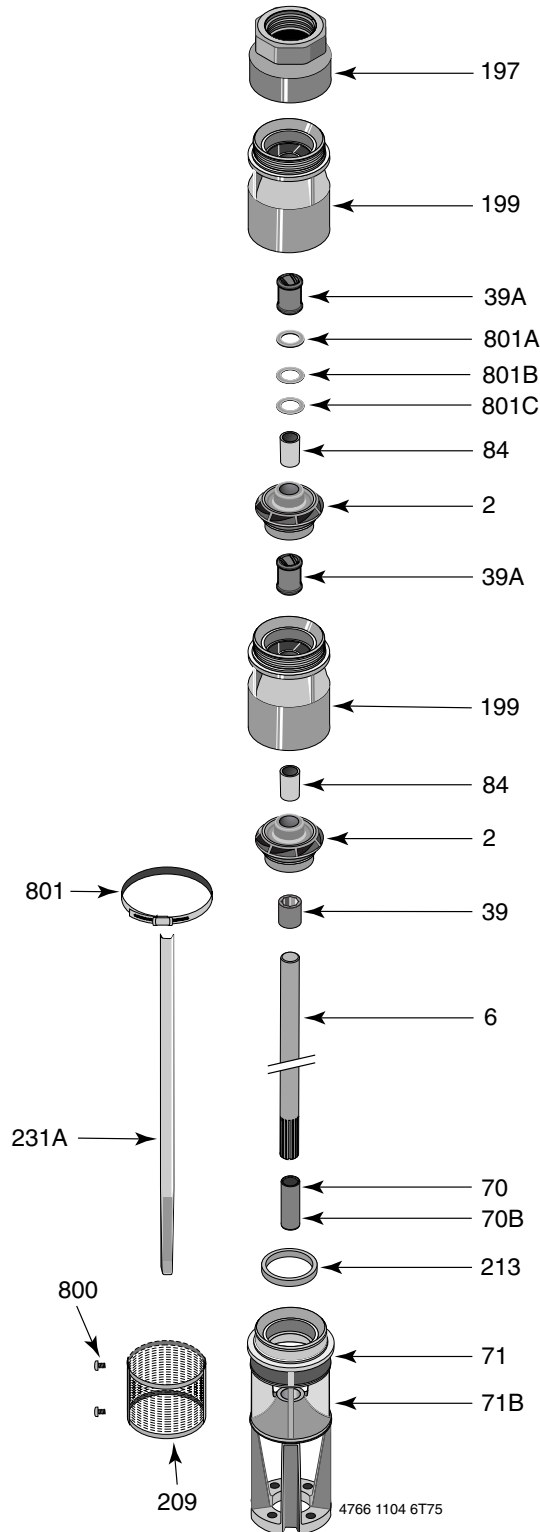
Submersible Turbine Repair Parts

Section	ST
Page	10.1
Date	June 13, 2007
Supersedes 12/1/04	

6T-75

4" & 6" Motors

6T-75 Common Parts Groups Repair Parts List



Item No.	Part Description	Part Number
39	Inlet Rubber Bearing	S13636
39A	Rubber Bearing	P23-67
70	Splined Coupling	387630500
70B	4" Motor Coupling	M11245
71	Inlet Bracket for 6" Motor	H05840
71B	Inlet Bracket for 4" Motor	H05818
84	Collet, Impeller	F5-11
197	Discharge Connector, 3" FNPT	L08314
199	Top Bowl	M09656
209	Suction Screen	306773500
213	Adaptor Ring	M10996
800	Pan Head Tapping Screw #8-15 (2 Req.)	S29885
801	Cable Guard Clamp (2 Req.)	M08594
801A	Uphrust Spacer, 1/8" Brass	M11149
801B	Uphrust Spacer, 1/16" Brass (as required)	M11190
801C	Uphrust Spacing Shim, 1/8" 416SS (as req.)	M11544
	• Bolt Kit, 6" Motor	B69659
	• Bolt Kit, 4" Motor	B76087
	• Pop Rivet, 5/32" x 3/8" lg. (2 Req.)	M10172
	• Nameplate	M12165
	• Owner's Manual	BE215

• Not illustrated.

Additional Staging (Quantity: 1 each per stage)

Item Number	Part Number	Part Description
39A	P23-67	Rubber Bearing
84	F5-11	Impeller Collet
199	M09656	Intermediate Bowl

6" Cable Guard Length*

Stages	Length (In.)
4	25.63
7	37.44
9	45.32
13	61.07
18	80.76

4" Cable Guard Length*

Stages	Length (In.)
4	23.93
7	35.57

* Sold in 12' lengths only, Part Number 308666000.

Consult owner's manual for correct assembly and adjustment procedures.



Submersible Turbine Repair Parts

Section	ST
Page	10.2
Date	December 1, 2004
Supersedes NEW	

6T-75

4" & 6" Motors

Available Impellers*

Description	Part Number	Size (In.)
"A" Full Trim	M11848	4.13 x 3.95
"B" 5% Trim	M11849	4.06 x 3.83
"C" 10% Trim	M11850	4.00 x 3.76

* 20° trim angle.

6T-75 Impeller Specifications

Catalog Number	Horsepower	416 SS Shaft§	Primary Trims	Part Number†	Trim (In.)	Secondary Trim	Part Number	Trim (In.)
B76664	5	L06555	4	M11848	4.13 x 3.95			
B76089*	5	L08475	4	M11848	4.13 x 3.95			
B76665	7.5	L06557	7	M11850	4.00 x 3.76			
B76090*	7.5	L08477	7	M11850	4.00 x 3.76			
B76666	10	L06556	9	M11849	4.06 x 3.83			
B76667	15	L06731	13	M11849	4.06 x 3.83			
B76668	20	L06559	18	M11849	4.06 x 3.83			

† Key #2 – Impeller.

§ Key #6 – Pump Shaft.

* Pump equipped with 4" motor.