



Submersible Turbine Repair Parts

Section	ST
Page	90.1
Date	June 13, 2007
Supersedes 12/1/04	

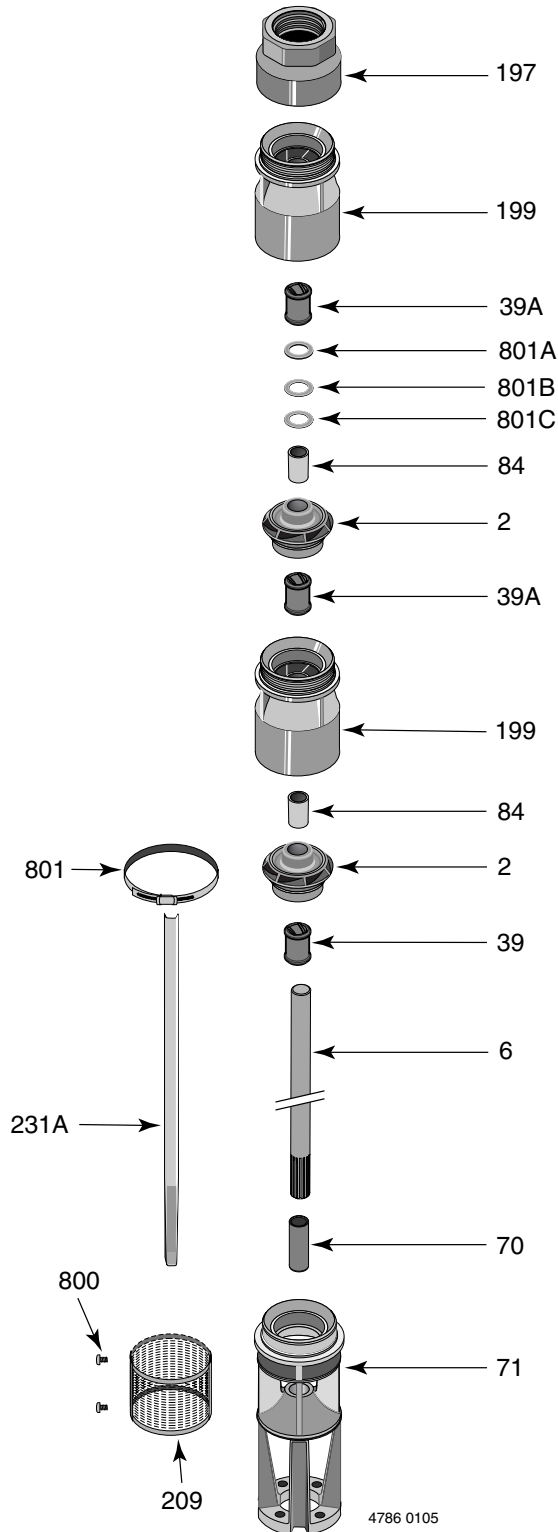
6T-450

6" Motors

6T-450 Common Parts Groups Repair Parts List

Item No.	Part Description	Part Number
39	Inlet Rubber Bearing	S13636
39A	Rubber Bearing	M11244
70	Splined Coupling	387630500
71	Inlet Bracket for 6" Motor	M13974
84	Collet, Impeller	S05301
197	Discharge Connector, 4" FNPT	M13973
199	Top Bowl	B82560
209	Suction Screen	306773500
800	Pan Head Tapping Screw #8-15 (2 Req.)	S29885
801	Cable Guard Clamp (2 Req.)	M09143
801A	Upthrust Spacer, 1/8" Brass	M11149
801B	Upthrust Spacer, 1/16" Brass (as required)	M11190
801C	Upthrust Spacing Shim, 1/8" 416SS (as req.)	M11544
	• Bolt Kit, 6" Motor	B69659
	• Pop Rivet, 5/32" x 3/8" lg. (2 Req.)	M10172
	• Nameplate	M12165
	• Owner's Manual	BE215

• Not illustrated.



Additional Staging (Quantity: 1 each per stage)

Item Number	Part Number	Part Description
39	M11244	Rubber Bearing (included in bowl)
84	S05301	Impeller Collet
199	B82560	Intermediate Bowl**

** Includes M11244 Bearing.

6" Cable Guard Length*

Stages	Length (In.)
1	15.34
2	21.47
3	27.60
4	33.73
5	39.86

6" Cable Guard Length*

Stages	Length (In.)
6	46.00
8	58.25
10	70.51
12	82.77

* Sold in 12' lengths only, Part Number 308666000.

Consult owner's manual for correct assembly and adjustment procedures.

Form No. S4855BK



Submersible Turbine Repair Parts

Section	ST
Page	90.2
Date	December 1, 2004
Supersedes NEW	

6T-450
6" Motors

Available Impellers*

Description	Part Number	Size (In.)
"A" Full Trim	M13786	4.74 x 3.62

* 30° trim angle.

6T-450 Impeller Specifications

Catalog Number	Horsepower	416 SS Shaft§	Primary Trims	Part Number†	Trim (In.)	Secondary Trim	Part Number	Trim (In.)
B82550	7.5	M13994	1	M13786	4.74 x 3.62			
B82551	10	M13995	2	M13786	4.74 x 3.62			
B82552	15	M13996	3	M13786	4.74 x 3.62			
B82553	20	M13997	4	M13786	4.74 x 3.62			
B82554	25	M13998	5	M13786	4.74 x 3.62			
B82555	30	M13999	6	M13786	4.74 x 3.62			
B82556	40	M14000	8	M13786	4.74 x 3.62			
B82557	50	M14001	10	M13786	4.74 x 3.62			
B82558	60	M14002	12	M13786	4.74 x 3.62			

† Key #2 – Impeller.

§ Key #6 – Pump Shaft.