



Submersible Turbine Repair Parts

Section	ST
Page	80.1
Date	June 13, 2007
Supersedes 12/1/04	

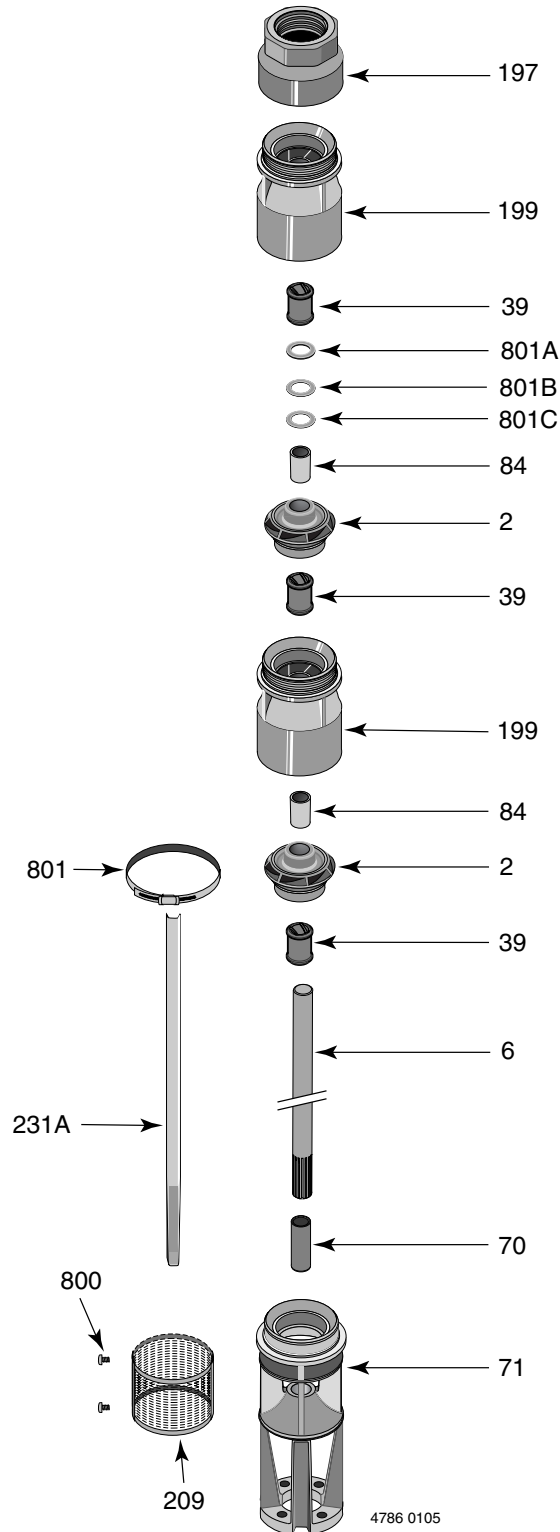
6T-325

6" Motor

6T-325 Common Parts Groups Repair Parts List

Item No.	Part Description	Part Number
39	Rubber Bearing	S13636
70	Splined Coupling	387630500
71	Inlet Bracket for 6" Motor	H05839
84	Collet, Impeller	P23-82
197	Discharge Connector, 4" FNPT	L08196
199	Top Bowl and Bearing Assembly (Item No. 39)	B82481
209	Suction Screen	306773500
800	Pan Head Tapping Screw #8-15 (2 Req.)	S29885
801	Cable Guard Clamp (2 Req.)	M09143
801A	Upthrust Spacer, 1/8" Brass	M11149
801B	Upthrust Spacer, 1/16" 416SS (as required)	M11190
801C	Upthrust Spacing Shim, 1/8" 416SS (as req.)	M11544
•	Bolt Kit, 6" Motor	B69659
•	Pop Rivet, 5/32" x 3/8" lg. (2 Req.)	M10172
•	Nameplate	M12165
•	Owner's Manual	BE215

• Not illustrated.



Additional Staging (Quantity: 1 each per stage)

Item Number	Part Number	Part Description
39	S13636	Rubber Bearing (included in bowl)
84	P23-82	Impeller Collet
199	B82481	Intermediate Bowl**

** Includes S13636 Bearing.

Cable Guard Length*

Stages	Length (In.)
2	18.42
3	23.29
4	28.17
5	33.00
7	42.29
8	47.67
10	57.42
13	72.04
15	81.79

* Sold in 12' lengths only, Part Number 308666000.

Consult owner's manual for correct assembly and adjustment procedures.



Submersible Turbine Repair Parts

Section	ST
Page	80.2
Date	December 1, 2004
Supersedes NEW	

6T-325
6" Motor

Available Impellers*

Description	Part Number	Size (In.)
"A" Full Trim	M11669	4.44 x 3.84
"B" 5% Trim	M11900	4.35 x 3.75
"C" 10% Trim	M11903	4.25 x 3.63

* 26° trim angle.

6T-325 Impeller Specifications

Catalog Number	Horsepower	416 SS Shaft§	Primary Trims	Part Number†	Trim (In.)	Secondary Trim	Part Number	Trim (In.)
B82431	7.5	M09395	1	M11669	4.44 x 3.84	1	M11903	4.25 x 3.63
B82432	10	M09396	3	M11903	4.25 x 3.63			
B82433	15	M09397	3	M11669	4.44 x 3.84	1	M11903	4.25 x 3.63
B82434	20	L07321	5	M11669	4.44 x 3.84			
B82435	25	M09399	4	M11903	4.25 x 3.63	3	M11669	4.44 x 3.84
B82436	30	L06943	6	M11669	4.44 x 3.84	2	M11903	4.25 x 3.63
B82437	40	M09400	10	M11669	4.44 x 3.84			
B82438	50	L06944	12	M11669	4.44 x 3.84	1	M11903	4.25 x 3.63
B82439	60	L06893	15	M11669	4.44 x 3.84			

† Key #2 – Impeller.

§ Key #6 – Pump Shaft.