



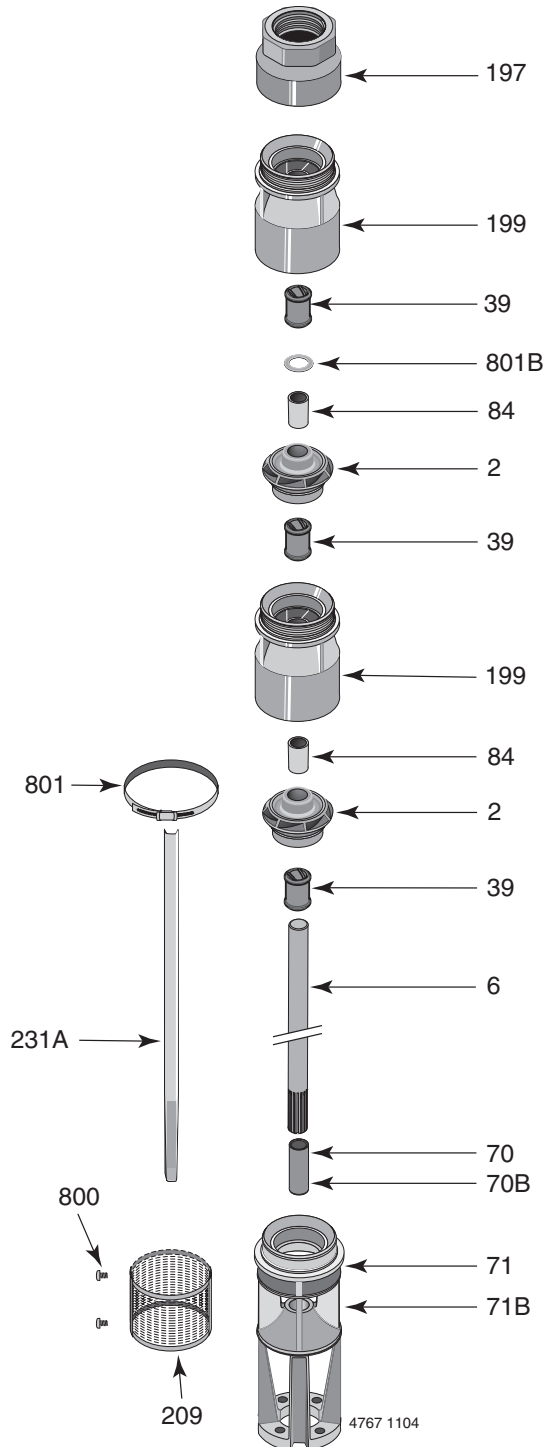
# Submersible Turbine Repair Parts

Section	ST
Page	70.1
Date	June 13, 2007
Supersedes 12/1/04	

## 6T-275

### 4" & 6" Motors

#### 6T-275 Common Parts Groups Repair Parts List



Item No.	Part Description	Part Number
39	Rubber Bearing	S13636
70	Splined Coupling	387630500
70B	4" Motor Coupling	M11245
71	Inlet Bracket for 6" Motor	H05841
71B	Inlet Bracket for 4" Motor	H05819
84	Collet, Impeller	S05301
197	Discharge Connector, 4" NPT	L08196
199	Top Bowl and Bearing Assembly (Item No. 39)	B82480
209	Suction Screen	306773500
800	Pan Head Tapping Screw #8-15 (2 Req.)	S29885
801	Cable Guard Clamp (2 Req.)	M09143
801B	Upthrust Spacer, 1/16" Brass (as required)	M11546
	• Bolt Kit, 6" Motor	B69659
	• Bolt Kit, 4" Motor	B76087
	• Pop Rivet, 5/32" x 3/8" lg. (2 Req.)	M10172
	• Nameplate	M12165
	• Owner's Manual	BE215

• Not illustrated.

#### Additional Staging (Quantity: 1 each per stage)

Item Number	Part Number	Part Description
39	S13636	Rubber Bearing (included in bowl)
84	S05301	Impeller Collet
199	B82480	Intermediate Bowl**

\*\* Includes S13636 Bearing.

#### 6" Cable Guard Length\*

Stages	Length (In.)
1	14.88
2	19.88
3	24.88
4	29.88
5	34.88
6	39.88
7	44.88
9	54.88
12	69.88
14	79.88

#### 4" Cable Guard Length\*

Stages	Length (In.)
1	12.86
2	18.00

\* Sold in 12' lengths only, Part Number 308666000.

Consult owner's manual for correct assembly and adjustment procedures.



# Submersible Turbine Repair Parts

Section	ST
Page	70.2
Date	December 1, 2004
Supersedes NEW	

## 6T-275

### 4" & 6" Motors

#### Available Impellers\*

Description	Part Number	Size (In.)
"A" Full Trim	M11668	4.53 x 3.88
"B" 5% Trim	M11893	4.25 x 3.56
"C" 10% Trim	M11895	4.16 x 3.46

\* 32° trim angle.

#### 6T-275 Impeller Specifications

Catalog Number	Horsepower	416 SS Shaft§	Primary Trims	Part Number†	Trim (In.)	Secondary Trim	Part Number	Trim (In.)
B76718	5	L07333	1	M11668	4.53 x 3.88			
B76105*	5	L08486	1	M11668	4.53 x 3.88			
B76719	7.5	S39980	2	M11893	4.25 x 3.56			
B76106*	7.5	L08487	2	M11893	4.25 x 3.56			
B76720	10	S39981	3	M11895	4.16 x 3.46			
B76721	15	S39982	3	M11893	4.25 x 3.56	1	M11668	4.53 x 3.88
B76722	20	S39983	4	M11668	4.53 x 3.88	1	M11895	4.16 x 3.46
B76723	25	S39984	6	M11668	4.53 x 3.88			
B76724	30	S39985	7	M11668	4.53 x 3.88			
B76725	34	S39987	9	M11668	4.53 x 3.88			
B76726	50	S39990	12	M11668	4.53 x 3.88			
B76727	60	S39992	14	M11668	4.53 x 3.88			

† Key #2 – Impeller.

§ Key #6 – Pump Shaft.

\* Pump equipped with 4" motor.