



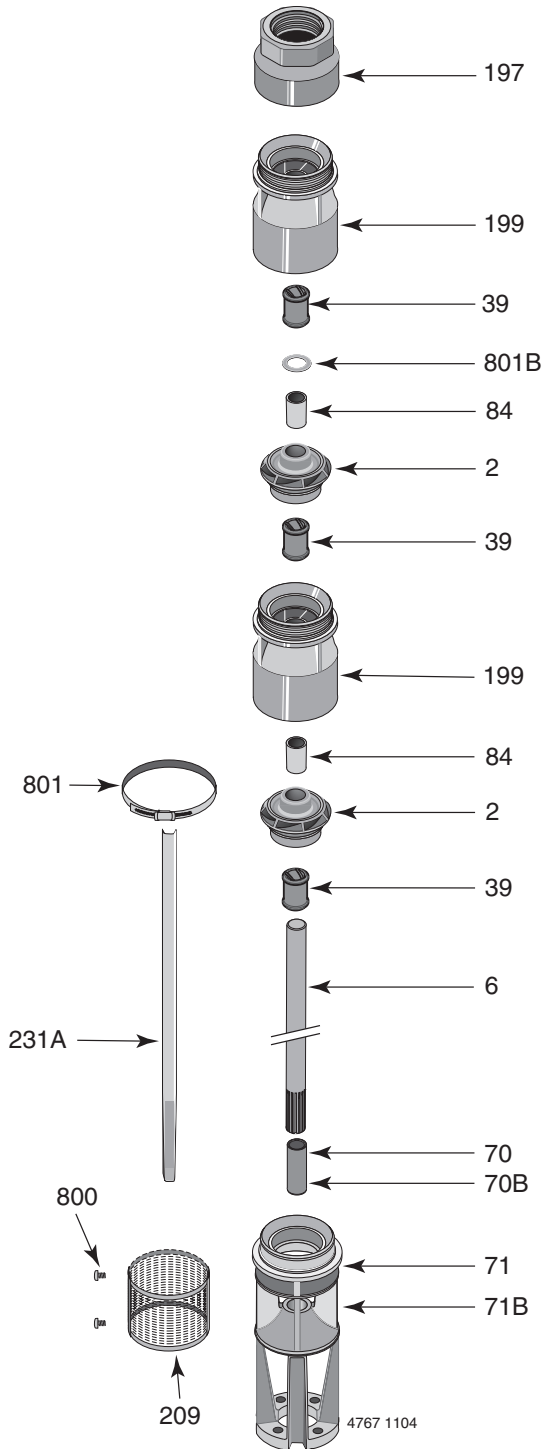
Submersible Turbine Repair Parts

| | |
|--------------------|---------------|
| Section | ST |
| Page | 60.1 |
| Date | June 13, 2007 |
| Supersedes 12/1/04 | |

6T-225

4" & 6" Motors

6T-225 Common Parts Groups Repair Parts List



| Item No. | Part Description | Part Number |
|----------|---|-------------|
| 39 | Rubber Bearing | S13636 |
| 70 | Splined Coupling | 387630500 |
| 70B | 4" Motor Coupling | M11245 |
| 71 | Inlet Bracket for 6" Motor | H05841 |
| 71B | Inlet Bracket for 4" Motor | H05819 |
| 84 | Collet, Impeller | S05301 |
| 197 | Discharge Connector, 4" NPT | L08196 |
| 199 | Top Bowl and Bearing Assembly (Item No. 39) | B82480 |
| 209 | Suction Screen | 306773500 |
| 800 | Pan Head Tapping Screw #8-15 (2 Req.) | S29885 |
| 801 | Cable Guard Clamp (2 Req.) | M09143 |
| 801B | Upthrust Spacer, 1/16" Brass (as required) | M11546 |
| | • Bolt Kit, 6" Motor | B69659 |
| | • Bolt Kit, 4" Motor | B76087 |
| | • Pop Rivet, 5/32" x 3/8" lg. (2 Req.) | M10172 |
| | • Nameplate | M12165 |
| | • Owner's Manual | BE215 |

• Not illustrated.

Additional Staging (Quantity: 1 each per stage)

| Item Number | Part Number | Part Description |
|-------------|-------------|-----------------------------------|
| 39 | S13636 | Rubber Bearing (included in bowl) |
| 84 | S05301 | Impeller Collet |
| 199 | B82480 | Intermediate Bowl** |

** Includes S13636 Bearing.

6" Cable Guard Length*

| Stages | Length (In.) |
|--------|--------------|
| 2 | 19.88 |
| 3 | 24.88 |
| 4 | 29.88 |
| 6 | 39.88 |
| 8 | 49.88 |
| 10 | 59.88 |
| 12 | 69.88 |
| 16 | 89.88 |
| 20 | 109.88 |

4" Cable Guard Length*

| Stages | Length (In.) |
|--------|--------------|
| 1 | 12.86 |
| 2 | 18.00 |
| 3 | 23.00 |

* Sold in 12' lengths only, Part Number 308666000.

Consult owner's manual for correct assembly and adjustment procedures.

Form No. S4855BK



Submersible Turbine Repair Parts

| | |
|----------------|------------------|
| Section | ST |
| Page | 60.2 |
| Date | December 1, 2004 |
| Supersedes NEW | |

6T-225

4" & 6" Motors

Available Impellers*

| Description | Part Number | Size (In.) |
|---------------|-------------|-------------|
| "A" Full Trim | 1000001364 | 4.50 x 3.83 |
| "B" 5% Trim | M14081 | 4.40 x 3.73 |
| "C" 10% Trim | M14082 | 4.31 x 3.64 |

* 32° trim angle.

6T-225 Impeller Specifications

| Catalog Number | Horsepower | 416 SS Shaft§ | Primary Trims | Part Number† | Trim (In.) | Secondary Trim | Part Number | Trim (In.) |
|----------------|------------|---------------|---------------|--------------|-------------|----------------|-------------|------------|
| B81322* | 3 | L08486 | 1 | 1000001364 | 4.50 x 3.83 | | | |
| B81324* | 5 | L08487 | 2 | 1000001364 | 4.50 x 3.83 | | | |
| B81323 | 5 | S39980 | 2 | 1000001364 | 4.50 x 3.83 | | | |
| B81326* | 7.5 | L08488 | 3 | 1000001364 | 4.50 x 3.83 | | | |
| B81325 | 7.5 | S39981 | 3 | 1000001364 | 4.50 x 3.83 | | | |
| B81327 | 10 | S39982 | 4 | 1000001364 | 4.50 x 3.83 | | | |
| B81328 | 15 | S39984 | 6 | 1000001364 | 4.50 x 3.83 | | | |
| B81329 | 20 | S39986 | 8 | 1000001364 | 4.50 x 3.83 | | | |
| B81330 | 25 | S39988 | 10 | 1000001364 | 4.50 x 3.83 | | | |
| B81331 | 30 | S39990 | 12 | 1000001364 | 4.50 x 3.83 | | | |
| B81332 | 40 | S39994 | 16 | 1000001364 | 4.50 x 3.83 | | | |
| B81333 | 50 | L06878 | 20 | 1000001364 | 4.50 x 3.83 | | | |

† Key #2 – Impeller.

§ Key #6 – Pump Shaft.

* Pump equipped with 4" motor.