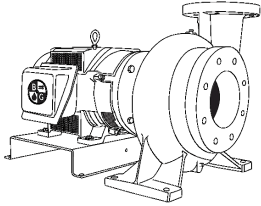


JOB: UNIT TAG: ENGINEER: CONTRACTOR:	REPRESENTATIVE: ORDER NO.: SUBMITTED BY: APPROVED BY:	DATE: DATE: DATE:
---	--	--



6G

Series 1531

Close-Coupled Centrifugal Pumps

SPECIFICATIONS

FLOW _____ HEAD _____

HP _____ RPM _____

VOLTS _____

CYCLE _____ PHASE _____

ENCLOSURE _____

APPROX. WEIGHT _____

SPECIALS _____

MATERIALS OF CONSTRUCTION

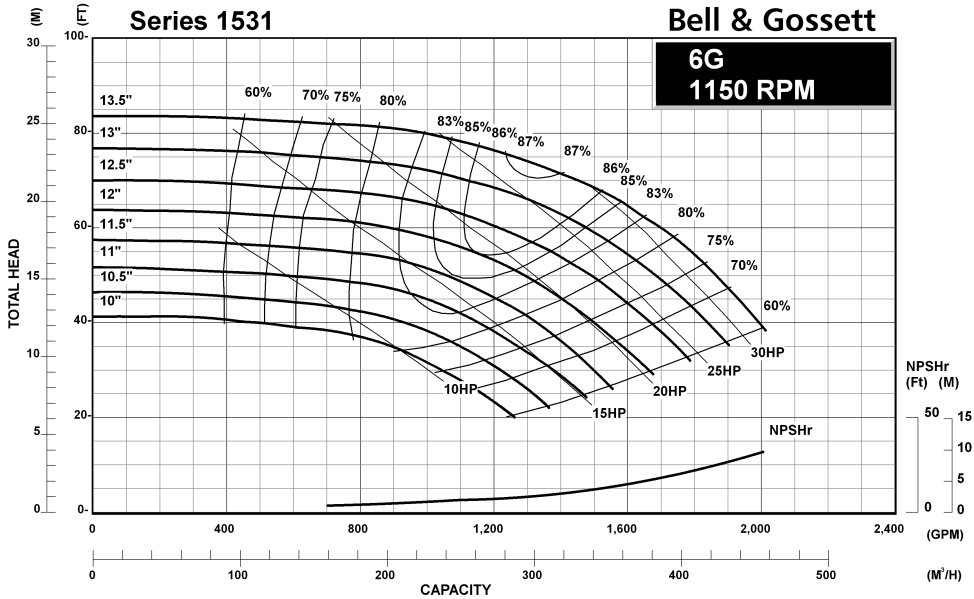
BRONZE FITTED

MAXIMUM WORKING PRESSURE

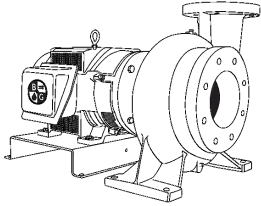
175 psi (12 bar) W.P.
with 125# ANSI flange drilling

TYPE OF SEAL

- 1531 Standard Seal (Buna-Carbon/Ceramic)
- 1531 -F Standard Seal w/ Flush Line (Buna-Carbon/Ceramic)
- 1531 -S Stuffing Box construction w/ Flushed Mechanical Single Seal (EPR-Tungsten Carbide/Carbon)
- 1531 -D Stuffing Box construction w/ Flushed Double Mechanical Seal (EPR-Carbon/Ceramic) Requires external water source
- 1531 -PF Stuffing Box Construction w/ Flushed Packing (Graphite Impregnated Teflon)



JOB: UNIT TAG: ENGINEER: CONTRACTOR:	REPRESENTATIVE: ORDER NO. SUBMITTED BY: APPROVED BY:	DATE: DATE: DATE:
---	---	--



6G

Series 1531

Close-Coupled Centrifugal Pumps

SPECIFICATIONS

FLOW _____ HEAD _____

HP _____ RPM _____

VOLTS _____

CYCLE _____ PHASE _____

ENCLOSURE _____

APPROX. WEIGHT _____

SPECIALS _____

MATERIALS OF CONSTRUCTION

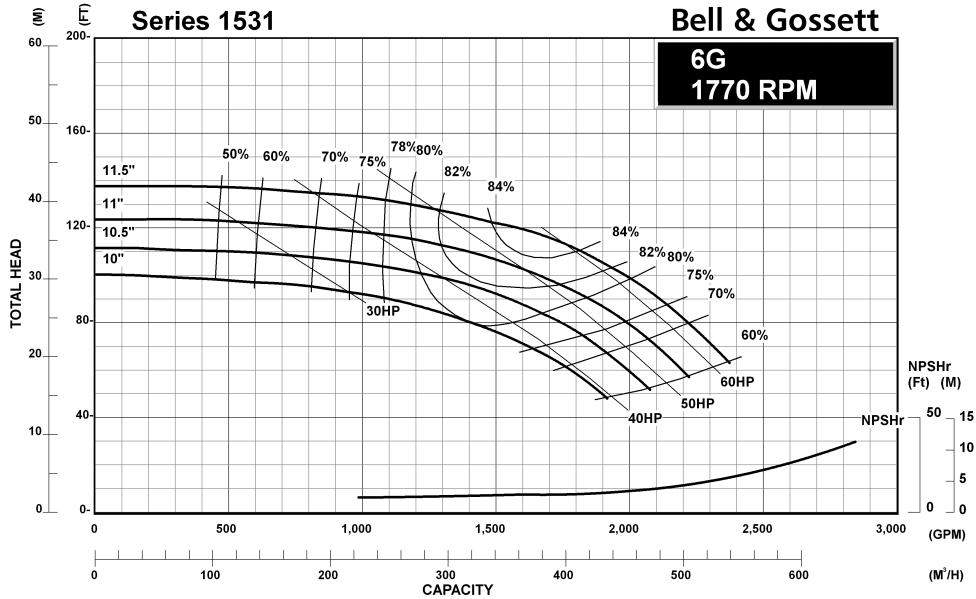
BRONZE FITTED

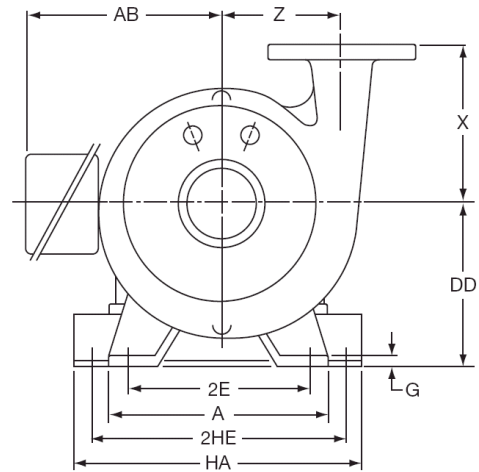
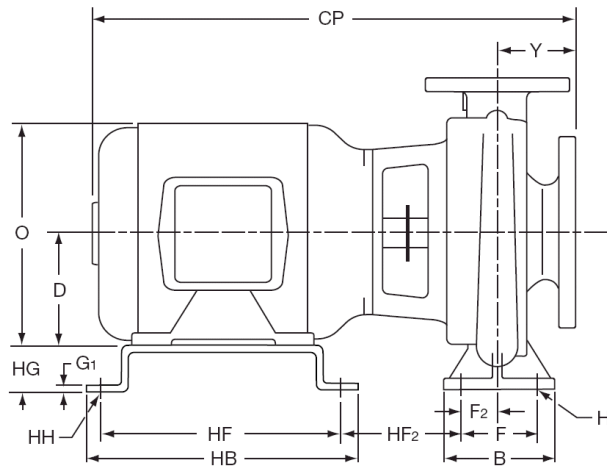
MAXIMUM WORKING PRESSURE

175 psi (12 bar) W.P.
with 125# ANSI flange drilling

TYPE OF SEAL

- 1531 Standard Seal
(Buna-Carbon/Ceramic)
- 1531 -F Standard Seal w/ Flush Line
(Buna-Carbon/Ceramic)
- 1531 -S Stuffing Box construction w/ Flushed
Mechanical Single Seal
(EPR-Tungsten Carbide/Carbon)
- 1531 -D Stuffing Box construction w/ Flushed
Double Mechanical Seal
(EPR-Carbon/Ceramic)
Requires external water source
- 1531 -PF Stuffing Box Construction
w/ Flushed Packing
(Graphite Impregnated Teflon)





SIZE OF PUMP AND DISCHARGE	SUCTION	PUMP DIMENSIONS IN INCHES (MM)			
		DD	X	Y	Z
6G	8	12 (305)	14 (357)	6.50 (165)	9.31 (236)

125# ANSI FLANGE DIMENSIONS - INCHES (MM)				
PIPE SIZE OF FLANGE	O.D. OF FLANGE	DIA. OF BOLT CIRCLE	NO. OF BOLTS	SIZE OF BOLTS
6	12-1/8 (308)	9-1/2 (241)	8	3/4 (19)
8	14-3/4 (375)	11-3/4 (298)	8	3/4 (19)

DIMENSIONS – Inches (mm)

STANDARD SEAL 1531, 1531-F, 1531-S, Packing Seal

MOTOR FRAME	A	AB	HB	CP	D	HF	G	G1	H	HH	HA	F2	2E	2HE	HF2	B	F	O	HG
254JP	23 (584)	8 (203)	16.125 (410)	31.56 (802)	6.25 (159)	14.88 (378)	1 (25)	0.25 (6)	0.88 (22)	0.62 (16)	22.25 (565)	4.5 (114)	21 (533)	21 (533)	4.5 (114)	11 (279)	9 (229)	10.88 (276)	5.75 (146)
256JP	23 (584)	8.94 (227)	16.125 (410)	33.44 (849)	6.25 (159)	14.88 (378)	1 (25)	0.25 (6)	0.88 (22)	0.62 (16)	22.25 (565)	4.5 (114)	21 (533)	21 (533)	6.19 (157)	11 (279)	9 (229)	12.94 (329)	5.75 (146)
284JP	23 (584)	11.5 (292)	20.25 (514)	33.63 (854)	7 (178)	18.25 (464)	1 (25)	0.25 (6)	0.88 (22)	0.75 (19)	23 (584)	4.5 (114)	21 (533)	21 (533)	3.5 (89)	11 (279)	9 (229)	13.88 (352)	5 (127)
286JP	23 (584)	11.5 (292)	20.25 (514)	35.13 (892)	7 (178)	18.25 (464)	1 (25)	0.25 (6)	0.88 (22)	0.75 (19)	23 (584)	4.5 (114)	21 (533)	21 (533)	5 (127)	11 (279)	9 (229)	13.88 (352)	5 (127)
324JP	23 (584)	14.62 (371)	19 (483)	35.56 (903)	8 (203)	17.5 (445)	1 (25)	0.25 (6)	0.88 (22)	0.62 (16)	22.5 (571)	4.5 (114)	21 (533)	21 (533)	4.88 (124)	11 (279)	9 (229)	15.94 (405)	4 (102)
326JP	23 (584)	14.62 (371)	19 (483)	37.06 (941)	8 (203)	17.5 (445)	1 (25)	0.25 (6)	0.88 (22)	0.62 (16)	22.5 (571)	4.5 (114)	21 (533)	21 (533)	6.38 (162)	11 (279)	9 (229)	15.94 (405)	4 (102)

Dimensions are subject to change. Not to be used for construction purposes unless certified.

Xylem Inc.
 8200 N. Austin Avenue
 Morton Grove, IL 60053
 Phone: (847)966-3700
 Fax: (847)965-8379
 www.bellgossett.com

