

### APPLICATIONS

- Basement sumps • Dewatering
- Water transfer • Light effluent

### FEATURES

- Permanent split capacitor (PSC) motor with thermal overload protection
- Designed for continuous duty
- 1-1/2" FNPT discharge (38 mm)
- Handles up to 1/2" (12.7 mm) solids
- Multiple switch options for automatic operation
- cCSAus listed

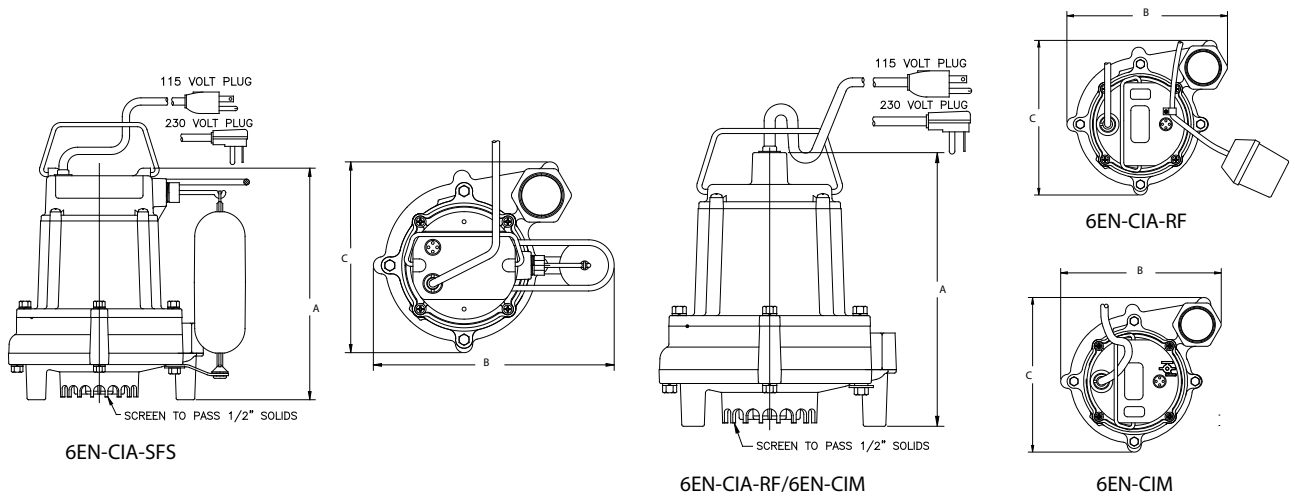


### SERIES SPECIFICATIONS

Volts	Hz	Amps		Watts	Performance (GPM @ Height in Feet)			Shut-Off (ft)	PSI
		FLA	Start		5'	10'	15'		
115	60	6	12	600	50	42	30	22	9.5
230	60	3	6.7	600	50	42	30	22	9.5

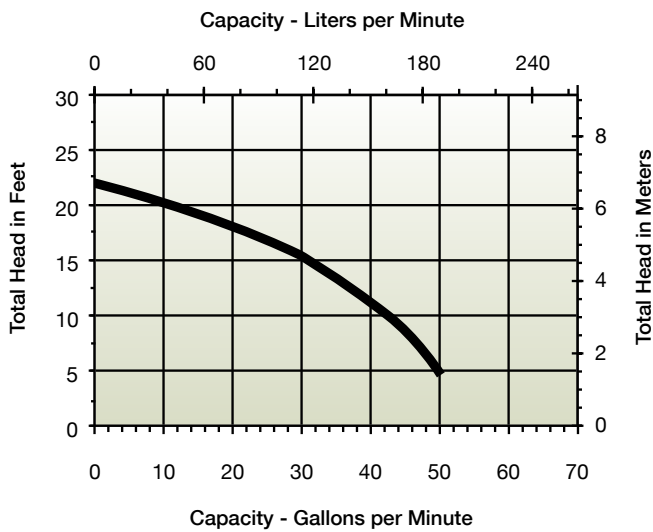
Item No.	Model	HP	Volts	Switch Type/ Operation	On Level	Off Level	Cord	Weight
506630	6EN-CIA-SFS	1/3	115	Integral Snap-Action Float	7" - 10" 17.8 cm - 25.4 cm	2" - 5" 5 cm - 12.7 cm	10' 3 m	28 lbs 12.70 Kg
506631	6EN-CIA-SFS	1/3	115	Integral Snap-Action Float	7" - 10" 17.8 cm - 25.4 cm	2" - 5" 5 cm - 12.7 cm	20' 6.1 m	28 lbs 12.70 Kg
506635	6EN-CIA-SFS	1/3	230	Integral Snap-Action Float	7" - 10" 17.8 cm - 25.4 cm	2" - 5" 5 cm - 12.7 cm	10' 3 m	28 lbs 12.70 Kg
506636	6EN-CIA-SFS	1/3	230	Integral Snap-Action Float	7" - 10" 17.8 cm - 25.4 cm	2" - 5" 5 cm - 12.7 cm	20' 6.1 m	28 lbs 12.70 Kg
506619	6EN-CIA-RF	1/3	115	Piggyback Mechanical Float	12" - 14" 30.5 cm - 35.6 cm	5" - 7" 12.7 cm - 17.8 cm	20' 6.1 m	28 lbs 12.70 Kg
506620	6EN-CIA-RF	1/3	115	Piggyback Mechanical Float	12" - 14" 30.5 cm - 35.6 cm	5" - 7" 12.7 cm - 17.8 cm	10' 3 m	28 lbs 12.70 Kg
506610	6EN-CIM	1/3	115	Manual	-	-	10' 3 m	27 (lbs) 12.25 Kg
506611	6EN-CIM	1/3	115	Manual	-	-	20' 6.1 m	27 (lbs) 12.25 Kg
506615	6EN-CIM	1/3	230	Manual	-	-	10' 3 m	27 (lbs) 12.25 Kg
506616	6EN-CIM	1/3	230	Manual	-	-	20' 6.1 m	27 (lbs) 12.25 Kg
506641	6EN-CIM (Black)	1/3	115	Manual	-	-	20' 6.1 m	27 (lbs) 12.25 Kg

ENGINEERING DATA



Model	A	B	C
6EN-CIA-SFS	10.18" 25.86 cm	10.6" 26.92 cm	8.39" 21.31 cm
6EN-CIA-RF	9.88" 25.09 cm	8.72" 22.14 cm	8.38" 21.29 cm
6EN-CIM	9.88" 25.09 cm	8.72" 22.14 cm	8.38" 21.29 cm

PERFORMANCE DATA



CONSTRUCTION

<b>Cover</b>	Polycarbonate
<b>Motor Housing</b>	Epoxy-coated cast iron
<b>Impeller Material</b>	Nylon
<b>Impeller Type</b>	Vortex
<b>Volute</b>	Epoxy-coated cast iron/ polypropylene
<b>Motor Shaft</b>	Cold rolled steel
<b>Mechanical Shaft Seal</b>	Nitrile with carbon & ceramic faces
<b>Fasteners</b>	Stainless steel
<b>Bearings</b>	Upper and lower sintered sleeve bearings
<b>Power Cord</b>	SJTW (506612 with SJTOW)