

## SERIES 4030 | END SUCTION BASE MOUNTED SPLIT COUPLED | 5 × 4 × 8 | SUBMITTAL

File No: 40.581  
Date: OCTOBER 15, 2013  
Supersedes: 40.581  
Date: JULY 10, 2013

Job: \_\_\_\_\_ Representative: \_\_\_\_\_

Order no.: \_\_\_\_\_ Date: \_\_\_\_\_

Engineer: \_\_\_\_\_ Submitted by: \_\_\_\_\_ Date: \_\_\_\_\_

Contractor: \_\_\_\_\_ Approved by: \_\_\_\_\_ Date: \_\_\_\_\_

### PUMP DESIGN DATA

No. of pumps: \_\_\_\_\_ Tag: \_\_\_\_\_  
Capacity: \_\_\_\_\_ USgpm (L/s) Head: \_\_\_\_\_ ft (m)  
Liquid: \_\_\_\_\_ Viscosity: \_\_\_\_\_  
Temperature: \_\_\_\_\_ °F (°C) Specific gravity: \_\_\_\_\_  
Suction: 5" (125mm) Lugged  
Discharge: 4" (100mm) Flanged

### MATERIALS OF CONSTRUCTION

ANSI FLANGE RATING	ANSI 125	ANSI 250
Construction	<input type="checkbox"/> BF	<input type="checkbox"/> DBF
Casing	Cast iron	Ductile iron

**Impeller:** Bronze

**Gasket:** Confined non-asbestos fiber

**Bearing frame:** Cast iron

**Anti-friction bearings:** Permanently lubricated

**Shaft:** Carbon steel

**Shaft sleeve:** Stainless steel

**Coupler:** Constant speed: Woods sure-flex or equal  
Variable speed: Woods dura-flex or equal

**Coupler guard:** Steel OSHA

**Baseplate:** Fabricated steel

### MECHANICAL SEAL DATA

**Seal type:** 2A      **Stationary seat:** Silicone carbide  
**Secondary seal:** EPDM      **Rotating hardware:** Stainless steel  
**Spring:** Stainless steel

### MOTOR DESIGN DATA

HP: \_\_\_\_\_ RPM: \_\_\_\_\_ Frame size: \_\_\_\_\_ Enclosure: \_\_\_\_\_  
Volts: \_\_\_\_\_ Hertz: 60 Hz      Phase: 3  
Efficiency\*:  NEMA premium 12.12       Other \_\_\_\_\_ %

\* Fractional power and frame 56 motors are supplied with the standard efficiency of the manufacturer.

### MAXIMUM PUMP OPERATING CONDITIONS

#### ANSI 125

175 psig at 150°F (12 bars at 65°C)  
140 psig at 250°F (10 bars at 121°C)

#### ANSI 250

300 psig at 150°F (20 bars at 65°C)  
250 psig at 250°F (17 bars at 121°C)

- Tolerance of ±0.125" (±3 mm) should be used
- See performance curves on page 3
- For exact installation, data please write factory for certified dimensions
- Pump equipped with casing drain plug and ¼" NPT suction and discharge gauge ports

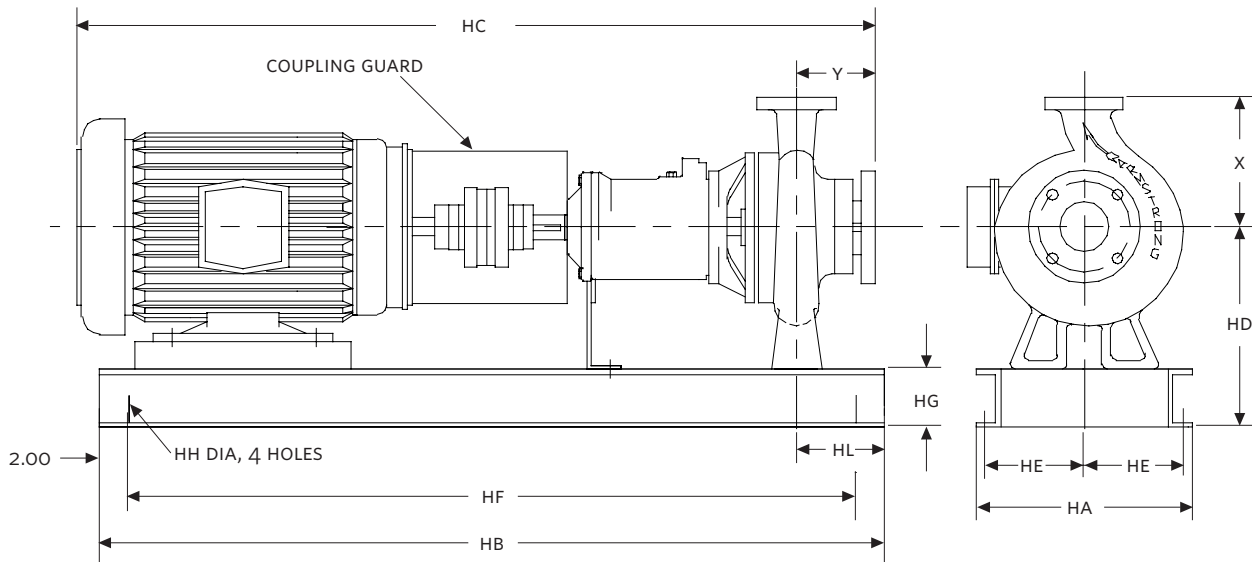
### OPTIONAL EQUIPMENT

FLUID TYPE	ALL GLYCOLS > 30% WT CONC		ALL OTHER NON-POTABLE FLUIDS		POTABLE (DRINKING) WATER	
	up to 200°F (93°C)	over 200°F (93°C)	up to 200°F (93°C)	over 200°F (93°C)	up to 200°F (93°C)	over 200°F (93°C)
Temperature	up to 200°F (93°C)	over 200°F (93°C)	up to 200°F (93°C)	over 200°F (93°C)	up to 200°F (93°C)	over 200°F (93°C)
Rotating face	Silicone carbide		Resin bonded carbon	Antimony loaded carbon	Resin bonded carbon	
Seat elastomer	EPDM (L-cup)	EPDM (O-ring)	EPDM (L-cup)	EPDM (O-ring)	EPDM (L-cup)	EPDM (O-ring)
Material code	SCSc L EPSS 2A	SCSc O EPSS 2A	C-SC L EPSS 2A	ACSc O EPSS 2A	C-SC L EPSS 2A	C-SC O EPSS 2A

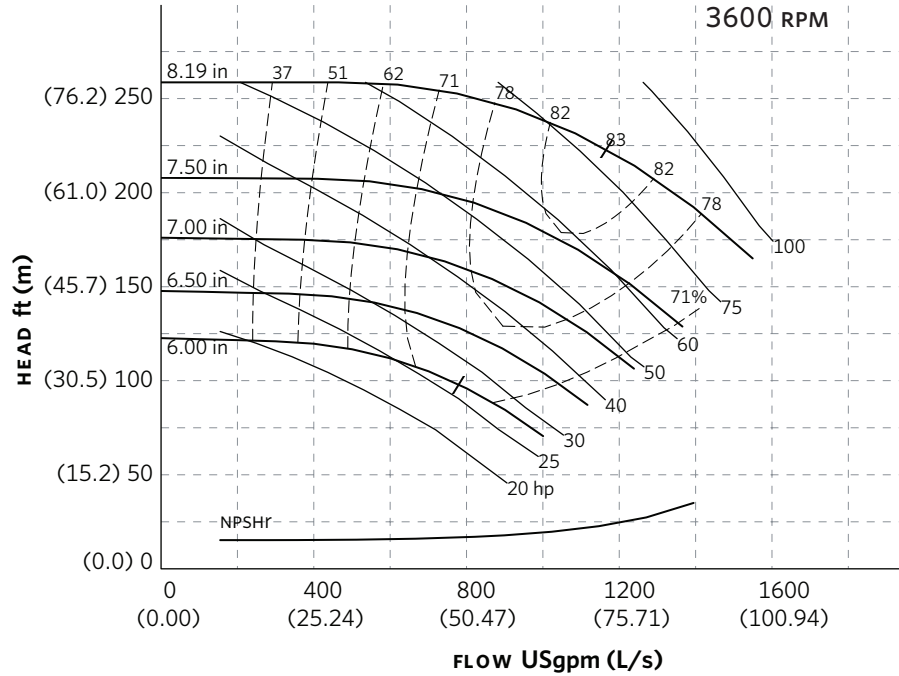
MOTOR	HORSEPOWER @ RPM				MAX. DIMENSIONS INCHES (mm)												MAX. ASSEMBLY WEIGHT*	
	3600		1800	1200	HA	HB	HC	HD	HE	HF	HG	HH	HL	X	Y	lbs (kgs)		
FRAME	ODP	TEFC														ODP	TEFC	
145TC	—	—	—	1	14.00 (356)	30.00 (762)	28.02 (712)	11.25 (286)	6.38 (162)	26.00 (660)	3.00 (76)	0.75 (19)	4.50 (114)	11.00 (279)	4.00 (102)	196 (88.9)	196 (88.9)	
182TC	—	—	3	1.5	14.00 (356)	30.00 (762)	30.72 (780)	11.25 (286)	6.38 (162)	26.00 (660)	3.00 (76)	0.75 (19)	4.50 (114)	11.00 (279)	4.00 (102)	211 (95.7)	225 (102.1)	
184TC	—	—	5	2	14.00 (356)	30.00 (762)	30.72 (780)	11.25 (286)	6.38 (162)	26.00 (660)	3.00 (76)	0.75 (19)	4.50 (114)	11.00 (279)	4.00 (102)	221 (100.2)	235 (106.6)	
213TC	—	—	7.5	3	14.00 (356)	33.00 (838)	34.40 (874)	11.25 (286)	6.38 (162)	29.00 (737)	3.00 (76)	0.75 (19)	4.50 (114)	11.00 (279)	4.00 (102)	251 (113.9)	266 (120.7)	
215TC	—	—	10	5	14.00 (356)	33.00 (838)	34.40 (874)	11.25 (286)	6.38 (162)	29.00 (737)	3.00 (76)	0.75 (19)	4.50 (114)	11.00 (279)	4.00 (102)	261 (118.4)	281 (127.5)	
254TC	—	—	15	—	16.00 (406)	45.00 (1143)	43.51 (1105)	11.25 (286)	7.38 (187)	41.00 (1041)	3.00 (76)	0.75 (19)	4.50 (114)	11.00 (279)	4.00 (102)	360 (163.3)	400 (181.4)	
256TC	25	—	—	—	16.00 (406)	45.00 (1143)	43.51 (1105)	11.25 (286)	7.38 (187)	41.00 (1041)	3.00 (76)	0.75 (19)	4.50 (114)	11.00 (279)	4.00 (102)	370 (167.8)	—	
284TSC†	30	25	—	—	19.00 (483)	48.00 (1219)	44.63 (1134)	13.25 (337)	8.88 (225)	44.00 (1118)	4.00 (102)	0.75 (19)	4.50 (114)	11.00 (279)	4.00 (102)	420 (190.5)	440 (199.6)	
286TSC†	40	30	—	—	19.00 (483)	48.00 (1219)	45.41 (1153)	13.25 (337)	8.88 (225)	44.00 (1118)	4.00 (102)	0.75 (19)	4.50 (114)	11.00 (279)	4.00 (102)	500 (226.8)	510 (231.3)	
324TSC†	50	40	—	—	19.00 (483)	48.00 (1219)	47.92 (1217)	12.25 (311)	8.88 (225)	44.00 (1118)	4.00 (102)	0.75 (19)	4.50 (114)	11.00 (279)	4.00 (102)	595 (269.9)	740 (335.7)	
326TSC†	60	50	—	—	19.00 (483)	48.00 (1219)	47.92 (1217)	12.25 (311)	8.88 (225)	44.00 (1118)	4.00 (102)	0.75 (19)	4.50 (114)	11.00 (279)	4.00 (102)	625 (283.5)	820 (371.9)	
364TSC†	75	60	—	—	19.00 (483)	48.00 (1219)	49.51 (1258)	14.50 (368)	8.88 (225)	44.00 (1118)	4.00 (102)	0.75 (19)	4.50 (114)	11.00 (279)	4.00 (102)	790 (358.3)	930 (421.8)	
365TSC†	100	75	—	—	19.00 (483)	48.00 (1219)	49.51 (1258)	14.50 (368)	8.88 (225)	44.00 (1118)	4.00 (102)	0.75 (19)	4.50 (114)	11.00 (279)	4.00 (102)	810 (367.4)	970 (440.0)	

\*Assembly weight combines pump and motor.

†Re-greasable ball bearings on pumps for frame sizes indicated.



**SERIES 4030 PERFORMANCE CURVES**



**Curve number**  
PT93-1-0-3600

**Series**  
4030  
4280

**Size**  
5 × 4 × 8

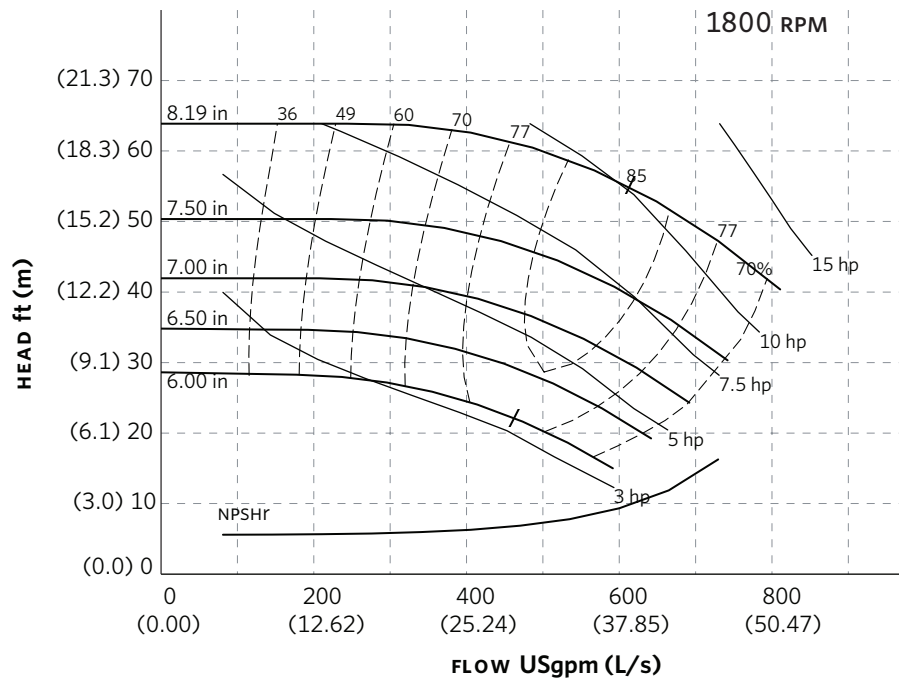
**RPM**  
3600

BHP based on shown  
Fluid's sp. gr.

**Availability**  
4030 all ratings  
4280 FR 326 MAX.

Performance  
guaranteed only  
at operating point  
indicated.

Curve shown for  
clear, cold water  
- SP. GR. 1.0000



**Curve number**  
PT92-1-0-1800

**Series**  
4030  
4280

**Size**  
5 × 4 × 8

**RPM**  
1800

BHP based on shown  
Fluid's sp. gr.

**Availability**  
4030 all ratings  
4280 all ratings

Performance  
guaranteed only  
at operating point  
indicated.

Curve shown for  
clear, cold water  
- SP. GR. 1.0000

Performance curves are for reference only.  
Confirm current performance data with Armstrong ACE Online selection software.

**TORONTO**

23 BERTRAND AVENUE  
TORONTO, ONTARIO  
CANADA  
M1L 2P3  
+1 416 755 2291

**BUFFALO**

93 EAST AVENUE  
NORTH TONAWANDA, NEW YORK  
U.S.A.  
14120-6594  
+1 716 693 8813

**BIRMINGHAM**

HEYWOOD WHARF, MUCKLOW HILL  
HALESOWEN, WEST MIDLANDS  
UNITED KINGDOM  
B62 8DJ  
+44 (0) 8444 145 145

**MANCHESTER**

WENLOCK WAY  
MANCHESTER  
UNITED KINGDOM  
M12 5JL  
+44 (0) 8444 145 145

**BANGALORE**

#59, FIRST FLOOR, 3RD MAIN  
MARGOSA ROAD, MALLESWARAM  
BANGALORE, INDIA  
560 003  
+91 (0) 80 4906 3555

**SHANGHAI**

NO. 1619 HU HANG ROAD, XI DU TOWNSHIP  
FENG XIAN DISTRICT, SHANGHAI  
P.R.C.  
201401  
+86 21 3756 6696

**MAKING  
ENERGY  
MAKE  
SENSE™**