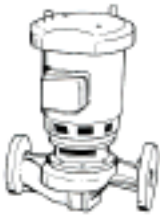


JOB: _____ UNIT TAG: _____ ENGINEER: _____ CONTRACTOR: _____	REPRESENTATIVE: _____ ORDER NO. _____ SUBMITTED BY: _____ APPROVED BY: _____ DATE: _____ DATE: _____ DATE: _____
---	--



5x5x7 Series 80[®] In-Line Mounted Centrifugal Pumps

SPECIFICATIONS

FLOW _____ HEAD _____
 HP _____ RPM _____
 VOLTS _____
 CYCLE _____ PHASE _____
 ENCLOSURE _____
 APPROX. WEIGHT _____
 SPECIALS _____

MATERIALS OF CONSTRUCTION

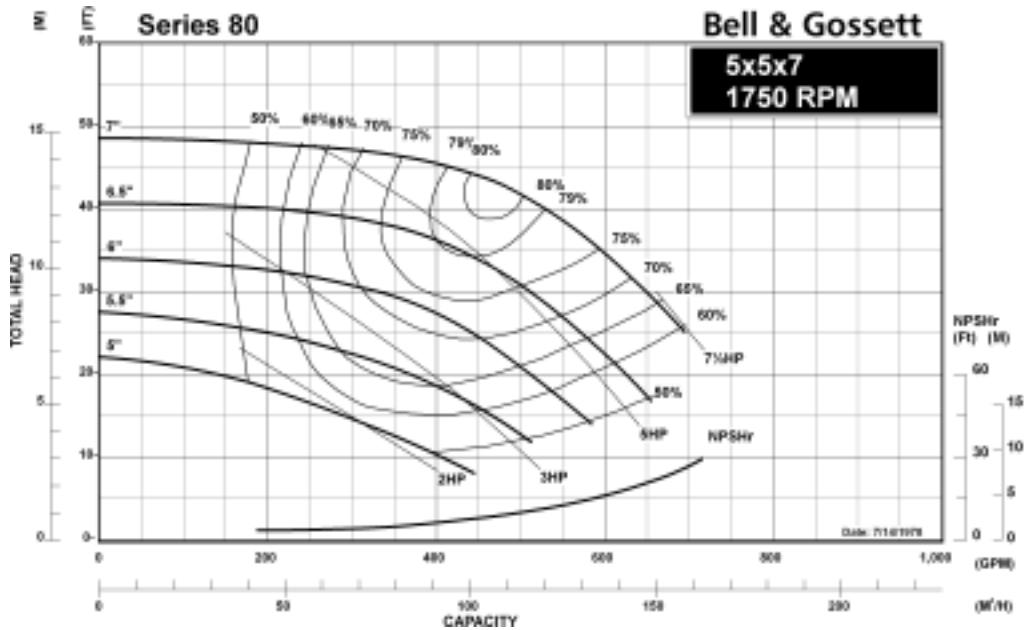
- BRONZE FITTED ALL IRON

MAXIMUM WORKING PRESSURE

- 175 psi (12 bar) W.P. with 125# ANSI flange drilling
- 250 psi (17 bar) W.P. with 250# ANSI flange drilling (requires 80-S)
- 300 psi (21 bar) W.P. with 250# ANSI flange drilling (EPR-Sintered Silicon Carbide-Sintered Silicon Carbide) Requires 80-S

TYPE OF SEAL

- 80 Standard Seal (Buna-Carbon/Ceramic)
- 80 -F Standard Seal w/ Flush Line (Buna-Carbon/Ceramic)
- 80 -S Stuffing Box construction w/ Flushed Mechanical Single Seal (EPR-Tungsten Carbide/Carbon)
- 80 -D Stuffing Box construction w/ Flushed Double Mechanical Seal (EPR-Carbon/Ceramic) Requires external water source
- 80 -PF Stuffing Box Construction w/ Flushed Packing (Graphite Impregnated Teflon)



JOB: UNIT TAG: ENGINEER: CONTRACTOR:	REPRESENTATIVE: ORDER NO. SUBMITTED BY: APPROVED BY:	DATE: DATE: DATE:
---	---	--



5x5x7

Series 80[®]

In-Line Mounted Centrifugal Pumps

SPECIFICATIONS

FLOW _____ HEAD _____
 HP _____ RPM _____
 VOLTS _____
 CYCLE _____ PHASE _____
 ENCLOSURE _____
 APPROX. WEIGHT _____
 SPECIALS _____

MATERIALS OF CONSTRUCTION

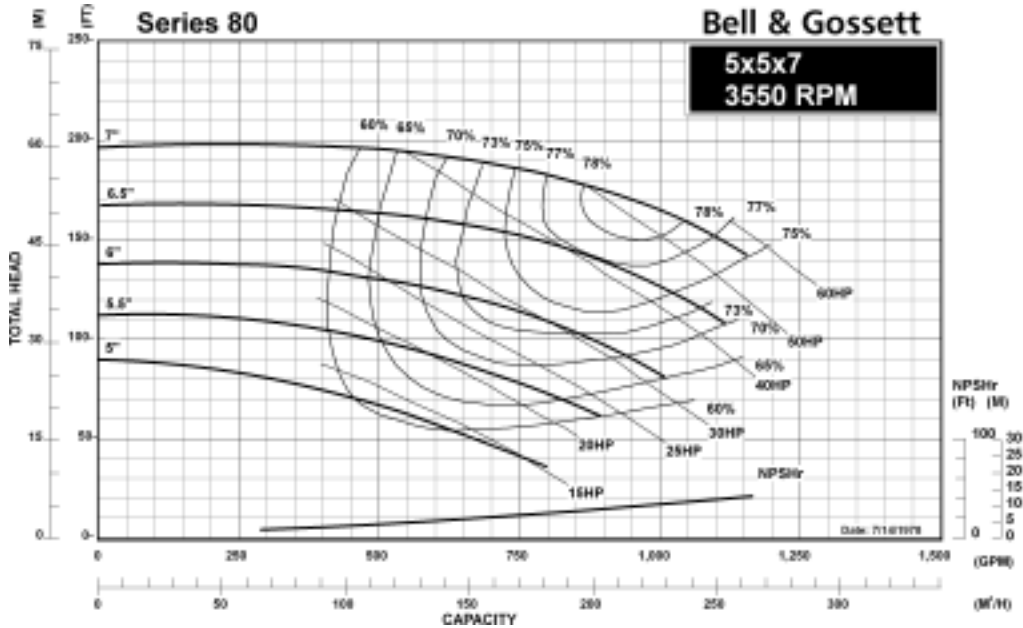
- BRONZE FITTED ALL IRON

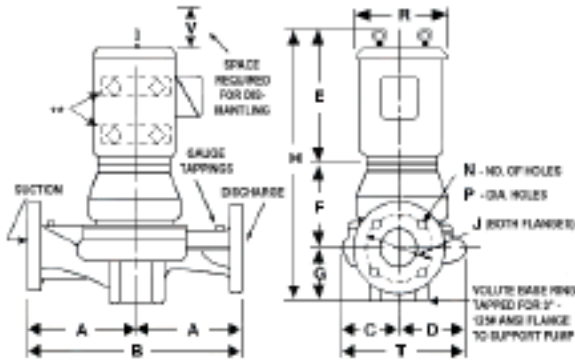
MAXIMUM WORKING PRESSURE

- 175 psi (12 bar) W.P. with 125# ANSI flange drilling
- 250 psi (17 bar) W.P. with 250# ANSI flange drilling (requires 80-S)
- 300 psi (21 bar) W.P. with 250# ANSI flange drilling (EPR-Sintered Silicon Carbide-Sintered Silicon Carbide) Requires 80-S

TYPE OF SEAL

- 80 Standard Seal (Buna-Carbon/Ceramic)
- 80 -F Standard Seal w/ Flush Line (Buna-Carbon/Ceramic)
- 80 -S Stuffing Box construction w/ Flushed Mechanical Single Seal (EPR-Tungsten Carbide/Carbon)
- 80 -D Stuffing Box construction w/ Flushed Double Mechanical Seal (EPR-Carbon/Ceramic) Requires external water source
- 80 -PF Stuffing Box Construction w/ Flushed Packing (Graphite Impregnated Teflon)





FLANGE DIMENSIONS IN INCHES (MM)			
	SIZE	THICKNESS	O.D.
Discharge	5"	1-3/8 (35)	10-3/4 (273)
Suction	5"	1-3/8 (35)	10-3/4 (273)

** Motor may be supplied with feet

DIMENSIONS - Inches (mm)

STANDARD SEAL 80, 80-F

MOTOR FRAME	A	B	C	D	E (Max)	F	G	H (Max)	125# ANSI			250# ANSI			R	S (Max)*	T	V (Min)
									J	N	P	J	N	P				
145	12 (305)	24 (610)	5-3/4 (146)	7-1/4 (184)	12-5/8 (321)	5-1/2 (140)	7-1/4 (184)	25-3/8 (645)	8-1/2 (216)	8	7/8 (22)	9-1/4 (235)	8	7/8 (22)	9-3/4 (248)	1-1/2 (38)	13 (330)	4-1/2 (114)
182	12 (305)	24 (610)	5-3/4 (146)	7-1/4 (184)	15-5/16 (389)	5-1/2 (140)	7-1/4 (184)	28-1/16 (713)	8-1/2 (216)	8	7/8 (22)	9-1/4 (235)	8	7/8 (22)	11-3/4 (298)	1 (25)	13 (330)	4-1/2 (114)
184	12 (305)	24 (610)	5-3/4 (146)	7-1/4 (184)	15-5/16 (389)	5-1/2 (140)	7-1/4 (184)	28-1/16 (713)	8-1/2 (216)	8	7/8 (22)	9-1/4 (235)	8	7/8 (22)	11-3/4 (298)	1 (25)	13 (330)	4-1/2 (114)
213	12 (305)	24 (610)	5-3/4 (146)	7-1/4 (184)	19-1/4 (489)	5-1/2 (140)	7-1/4 (184)	32 (813)	8-1/2 (216)	8	7/8 (22)	9-1/4 (235)	8	7/8 (22)	14 (356)	-	13 (330)	4-1/2 (114)
215	12 (305)	24 (610)	5-3/4 (146)	7-1/4 (184)	19-1/4 (489)	5-1/2 (140)	7-1/4 (184)	32 (813)	8-1/2 (216)	8	7/8 (22)	9-1/4 (235)	8	7/8 (22)	14 (356)	-	13 (330)	4-1/2 (114)
254	12 (305)	24 (610)	5-3/4 (146)	7-1/4 (184)	24-1/8 (613)	9-3/8 (238)	7-1/4 (184)	40-3/4 (1035)	8-1/2 (216)	8	7/8 (22)	9-1/4 (235)	8	7/8 (22)	17 (432)	-	13 (330)	4-1/2 (114)
256	12 (305)	24 (610)	5-3/4 (146)	7-1/4 (184)	24-1/8 (613)	9-3/8 (238)	7-1/4 (184)	40-3/4 (1035)	8-1/2 (216)	8	7/8 (22)	9-1/4 (235)	8	7/8 (22)	17 (432)	-	13 (330)	4-1/2 (114)
284	12 (305)	24 (610)	5-3/4 (146)	7-1/4 (184)	23-5/8 (600)	9-3/8 (238)	7-1/4 (184)	40-1/4 (1022)	8-1/2 (216)	8	7/8 (22)	9-1/4 (235)	8	7/8 (22)	16-1/8 (410)	4-5/8 (117)	13 (330)	4-1/2 (114)
286	12 (305)	24 (610)	5-3/4 (146)	7-1/4 (184)	25-1/8 (638)	9-3/8 (238)	7-1/4 (184)	41-3/4 (1060)	8-1/2 (216)	8	7/8 (22)	9-1/4 (235)	8	7/8 (22)	16-1/8 (410)	4-5/8 (117)	13 (330)	4-1/2 (114)
324	12 (305)	24 (610)	5-3/4 (146)	7-1/4 (184)	26 (660)	9-3/8 (238)	7-1/4 (184)	42-5/8 (1083)	8-1/2 (216)	8	7/8 (22)	9-1/4 (235)	8	7/8 (22)	18-3/4 (476)	4-5/8 (117)	13 (330)	4-1/2 (114)
326	12 (305)	24 (610)	5-3/4 (146)	7-1/4 (184)	26 (660)	9-3/8 (238)	7-1/4 (184)	42-5/8 (1083)	8-1/2 (216)	8	7/8 (22)	9-1/4 (235)	8	7/8 (22)	18-3/4 (476)	4-5/8 (117)	13 (330)	4-1/2 (114)

STUFFING BOX 80-PF, 80-S, 80-D

MOTOR FRAME	A	B	C	D	E (Max)	F	G	H (Max)	125# ANSI			250# ANSI			R	S (Max)*	T	V (Min)
									J	N	P	J	N	P				
145	12 (305)	24 (610)	5-3/4 (146)	7-1/4 (184)	12-5/8 (321)	8-5/8 (219)	7-1/4 (184)	28-1/2 (724)	8-1/2 (216)	8	7/8 (22)	9-1/4 (235)	8	7/8 (22)	9-3/4 (248)	1-1/2 (38)	13 (330)	4-1/2 (114)
182	12 (305)	24 (610)	5-3/4 (146)	7-1/4 (184)	15-5/16 (389)	8-5/8 (219)	7-1/4 (184)	31-3/16 (792)	8-1/2 (216)	8	7/8 (22)	9-1/4 (235)	8	7/8 (22)	11-3/4 (298)	1 (25)	13 (330)	4-1/2 (114)
184	12 (305)	24 (610)	5-3/4 (146)	7-1/4 (184)	15-5/16 (389)	8-5/8 (219)	7-1/4 (184)	31-3/16 (792)	8-1/2 (216)	8	7/8 (22)	9-1/4 (235)	8	7/8 (22)	11-3/4 (298)	1 (25)	13 (330)	4-1/2 (114)
213	12 (305)	24 (610)	5-3/4 (146)	7-1/4 (184)	19-1/4 (489)	9-3/8 (238)	7-1/4 (184)	35-7/8 (911)	8-1/2 (216)	8	7/8 (22)	9-1/4 (235)	8	7/8 (22)	14 (356)	-	13 (330)	4-1/2 (114)
215	12 (305)	24 (610)	5-3/4 (146)	7-1/4 (184)	19-1/4 (489)	9-3/8 (238)	7-1/4 (184)	35-7/8 (911)	8-1/2 (216)	8	7/8 (22)	9-1/4 (235)	8	7/8 (22)	14 (356)	-	13 (330)	4-1/2 (114)
254	12 (305)	24 (610)	5-3/4 (146)	7-1/4 (184)	24-1/8 (613)	9-3/8 (238)	7-1/4 (184)	40-3/4 (1035)	8-1/2 (216)	8	7/8 (22)	9-1/4 (235)	8	7/8 (22)	17 (432)	-	13 (330)	4-1/2 (114)
256	12 (305)	24 (610)	5-3/4 (146)	7-1/4 (184)	24-1/8 (613)	9-3/8 (238)	7-1/4 (184)	40-3/4 (1035)	8-1/2 (216)	8	7/8 (22)	9-1/4 (235)	8	7/8 (22)	17 (432)	-	13 (330)	4-1/2 (114)
284	12 (305)	24 (610)	5-3/4 (146)	7-1/4 (184)	23-5/8 (600)	9-3/8 (238)	7-1/4 (184)	40-1/4 (1022)	8-1/2 (216)	8	7/8 (22)	9-1/4 (235)	8	7/8 (22)	16-1/8 (410)	4-5/8 (117)	13 (330)	4-1/2 (114)
286	12 (305)	24 (610)	5-3/4 (146)	7-1/4 (184)	25-1/8 (638)	9-3/8 (238)	7-1/4 (184)	41-3/4 (1060)	8-1/2 (216)	8	7/8 (22)	9-1/4 (235)	8	7/8 (22)	16-1/8 (410)	4-5/8 (117)	13 (330)	4-1/2 (114)
324	12 (305)	24 (610)	5-3/4 (146)	7-1/4 (184)	26 (660)	9-3/8 (238)	7-1/4 (184)	42-5/8 (1083)	8-1/2 (216)	8	7/8 (22)	9-1/4 (235)	8	7/8 (22)	18-3/4 (476)	4-5/8 (117)	13 (330)	4-1/2 (114)
326	12 (305)	24 (610)	5-3/4 (146)	7-1/4 (184)	26 (660)	9-3/8 (238)	7-1/4 (184)	42-5/8 (1083)	8-1/2 (216)	8	7/8 (22)	9-1/4 (235)	8	7/8 (22)	18-3/4 (476)	4-5/8 (117)	13 (330)	4-1/2 (114)

Dimensions are subject to change. Not to be used for construction purposes unless certified.

NOTE: For 1 phase Motors add 1" to dimensions E & H.
 *For TEFC Motors add S dimension to dimensions E& H.